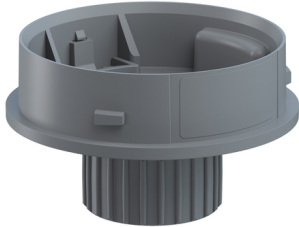


EvoSIGNAL / EvoSIGNAL Accessories

Mini Adapter Installation mount M22 GY

Part No.:	260.700.03
Series:	EvoSIGNAL



MECHANICAL DATA	
Height	33 mm
Diameter	62 mm
Materials	PC/ABS
Housing colour	Grey
Protection category	IP66
Cable entry	Through hole
Cable entry maximum	d = 9 mm
Type of fixing	Built-in mounting
Working temperature minimum	-30°C
Working temperature maximum	+60°C
Weight with packaging	25 g
Product weight	25 g

ELECTRICAL DATA	
Pollution degree	3 In the connection area: 2

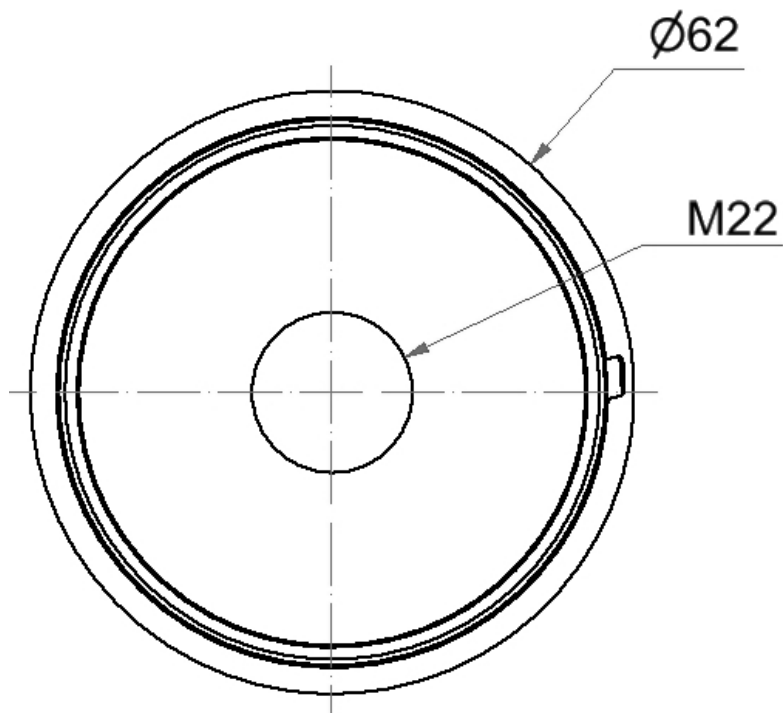
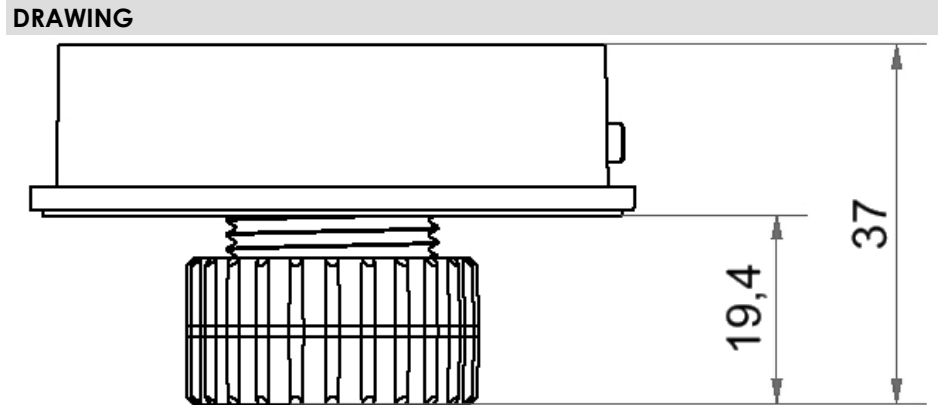
APPROVAL DATA	
Conforms with CE	No
WEEE	No
Conforms with ATEX-directive	No
Conforms with CCC	No
Conforms with UL	cULus
UL Type Rating	Type 12
Conforms with FCC	No
Conforms with IC	No
EAC certificate available	Yes
Conforms with UKCA (Importer)	No
Conforms with AS-I	No
ICAO Certification	No
Conforms with DNV	No
Conforms with RoHS CN	No
Conforms with VdS	No



For additional installation and mounting information, refer to the appropriate user guide at www.werma.com. This printed copy is for information only and is subject to alteration.

EvoSIGNAL / EvoSIGNAL Accessories

Mini Adapter Installation mount M22 GY



For additional installation and mounting information, refer to the appropriate user guide at www.werma.com. This printed copy is for information only and is subject to alteration.