

THIS DRAWING IS UNPUBLISHED.

RELEASED FOR PUBLICATION

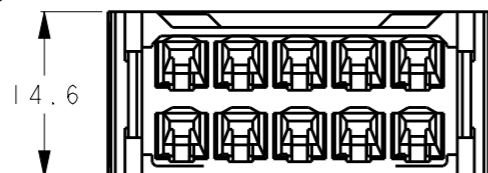
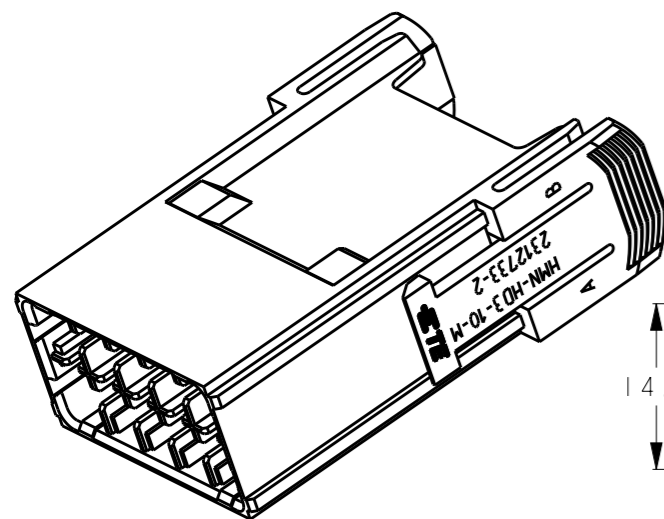
20

© COPYRIGHT 20 BY -

ALL RIGHTS RESERVED.

REVISIONS

P	LTR	DESCRIPTION	DATE	DWN	APVD
	A	RELEASED	13DEC2017	RI	EI
	A1	REVISED PER ECR-18-009661	21JUN2018	TS	EI
	A2	REVISED PER ECR-19-005449	22APR2019	DW	CW



- TECHNICAL CHARACTERISTICS :
 INSULATION MATERIAL : PBT
 RATED VOLTAGE : 400V
 RATED CURRENT : 11A
 INSULATION RESISTANCE : $\geq 100M\Omega$
 RATED IMPULSE VOLTAGE : 6KV
 POLLUTION DEGREE : 3
 FLAMMABILITY : UL94V-0
 MATING CYCLES : SEE TABLE 1
 OPERATION TEMPERATURE : $-40^{\circ}C \sim +125^{\circ}C$
 WIRE RANGE : 0.08 SQmm~2.20 SQmm
 CONTACT TYPE : CRIMP CONTACT
- CONTACT NEED TO BE ORDERED SEPARATELY.
 (ORDER No. REFER TO DRAWING : SEE TABLE 1)
- FRAMES NEED TO BE ORDERED SEPARATELY.
 (ORDER No. REFER TO DRAWING : SEE TABLE 2)

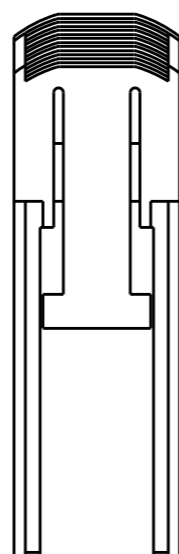
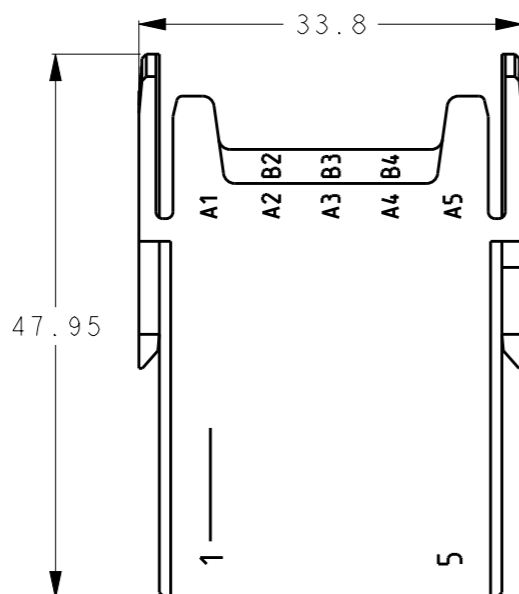
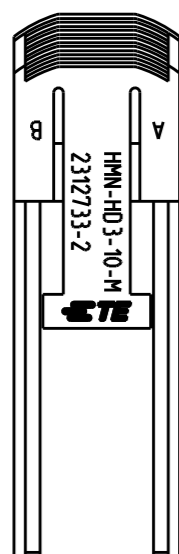



TABLE 1

MATING CYCLES	INSULATION RANGE	WIRE RANGE	SIZE	PART NUMBER		DESCRIPTION
				REEL	L/P	
4000	2.2-2.8	AWG16-14, 1.25-2.20SQmm	2L	1-2316815-9	-	HD3 TAB CONTACT
	1.8-2.8	AWG20-16, 0.50-1.25SQmm	L	1-2316815-8	-	
500	3.1-3.8	AWG16-14, 1.25-2.20SQmm	3L	2316815-5	2316817-5	
	2.2-2.8	AWG16-14, 1.25-2.20SQmm	2L	2316815-4	2316817-4	
	1.8-2.8	AWG20-16, 0.50-1.25SQmm	L	2316815-3	2316817-3	
	1.2-2.6	AWG24-20, 0.20-0.50SQmm	M	2316815-2	2316817-2	
	0.8-1.4	AWG28-24, 0.08-0.20SQmm	S	2316815-1	2316817-1	

TABLE 2

DESCRIPTION	PART NUMBER
H24B MALE FRAME FOR 6 MODULES	T2070244101-002
H16B MALE FRAME FOR 4 MODULES	T2070164101-002
H10B MALE FRAME FOR 3 MODULES	T2070104101-002
H6B MALE FRAME FOR 2 MODULES	T2070064101-002
H10A MALE FRAME FOR 1 MODULE	T2079104101-002

2312733-2
PART NUMBER

THIS DRAWING IS A CONTROLLED DOCUMENT.		DWN R. ITO 13DEC2017	 TE Connectivity	
DIMENSIONS: mm		CHK T. SHIMOYASU 13DEC2017		
TOLERANCES UNLESS OTHERWISE SPECIFIED:		APVD F. IKEMATSU 13DEC2017	NAME MODULE INSERT HMN-HD3-10-M HDC DYNAMIC	
0 PLC ± 0.5 1 PLC ± 0.5 2 PLC ± 0.5 3 PLC ± 0.5 4 PLC ± 0.5 ANGLES $\pm 5^{\circ}$		PRODUCT SPEC 108-140158	RESTRICTED TO	
MATERIAL SEE NOTE		FINISH -	APPLICATION SPEC 114-78026	SIZE A3
		WEIGHT 13.0g	CAGE CODE -	DRAWING NO C-2312733
		CUSTOMER DRAWING	SCALE 3:2	SHEET 1 OF 1
				REV A2