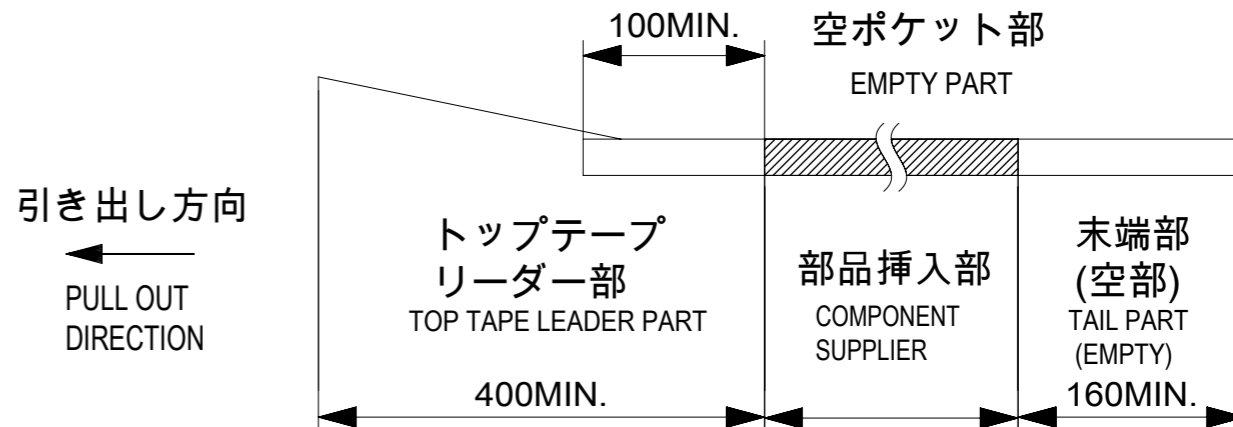


NOTES

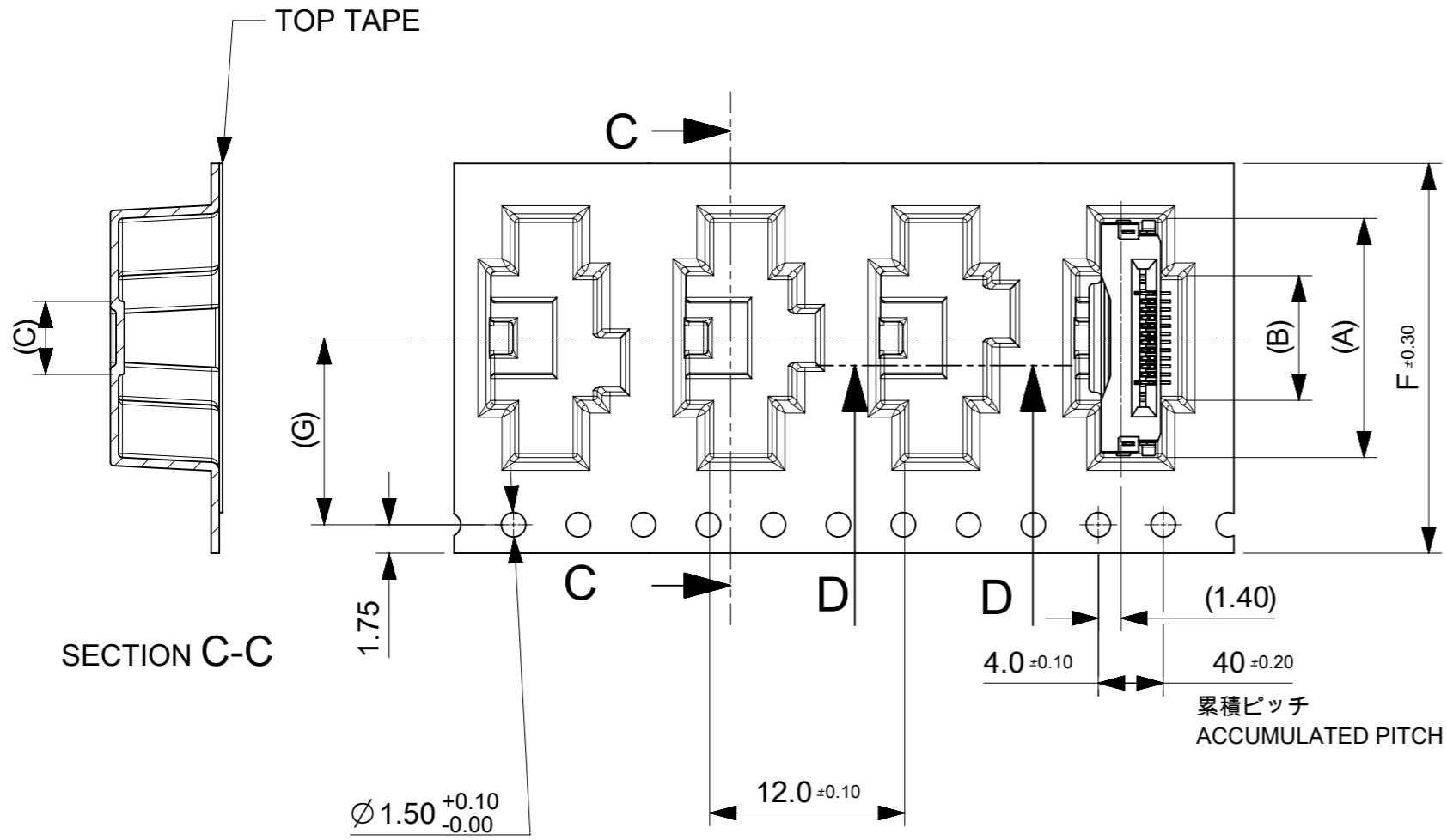
- 梱包数量 : 1200個 / リール  
NUMBER OF CONNECTORS : 1200 PCS/REEL.
- リードテープ長さ  
LEAD TAPE LENGTH



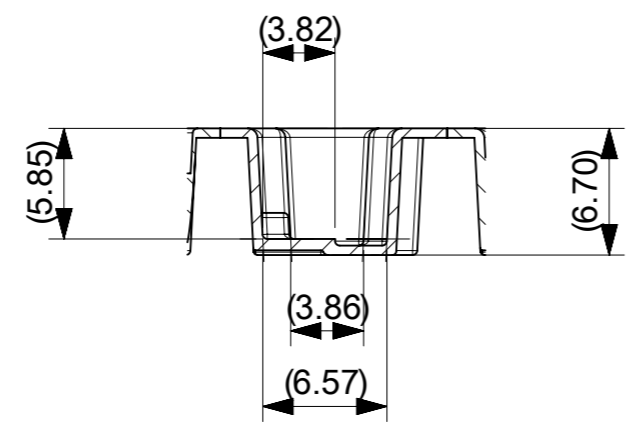
- カバーテープの剥離強度については、IEC60286-3に準拠。  
TOP TAPE PEEL FORCE IS DEFINED BY IEC 60286-3.
- 製品詳細寸法については、図面 2004851300を参照下さい。  
FOR DIMENSIONS OF PRODUCT, REFER TO 2004851300
- 材料 MATERIAL  
キャリアテープ : ポリスチレン  
CARRIER TAPE : POLYSTYRENE  
トップテープ : ポリエチレンテレフタレート、ポリエチレン  
TOP TAPE : POLYETHYLENE TEREPHTHALATE, POLYETHYLENE  
リール : ポリスチレン<リサイクル材を含む>  
REEL : POLYSTYRENE RECYCLED MATERIAL CONTAINED
- ELV及びRoHS適合品 ELV AND RoHS COMPLIANT.

THIS DRAWING CONTAINS INFORMATION THAT IS PROPRIETARY TO MOLEX ELECTRONIC TECHNOLOGIES, LLC AND SHOULD NOT BE USED WITHOUT WRITTEN PERMISSION		CURRENT REV DESC:		<b>molex</b>		
DIMENSION UNITS	SCALE					
mm	NTS			EMB PKG ONE-TOUCH ST GND HT		
GENERAL TOLERANCES (UNLESS SPECIFIED)				PRODUCT CUSTOMER DRAWING		
ANGULAR TOL	± 1.0 °			DOCUMENT NUMBER		
4 PLACES	± 0.1	EC NO: 648126		2004850300		
3 PLACES	± 0.1	DRWN: TYAMANE		PSD		
2 PLACES	± 0.1	CHK'D: YMATSUMOTO		000		
1 PLACE	± 0.1	APPR: SHOSHIKAWA		B		
0 PLACES	± 0.1	INITIAL REVISION:		REVISION		
DRAFT WHERE APPLICABLE MUST REMAIN WITHIN DIMENSIONS		THIRD ANGLE PROJECTION	DRAWING	SERIES	MATERIAL NUMBER	CUSTOMER
			A3-SIZE	200485	SEE TABLE	GENERAL
						SHEET NUMBER
						1 OF 3

引き出し方向  
PULL OUT  
DIRECTION



累積ピッチ  
ACCUMULATED PITCH



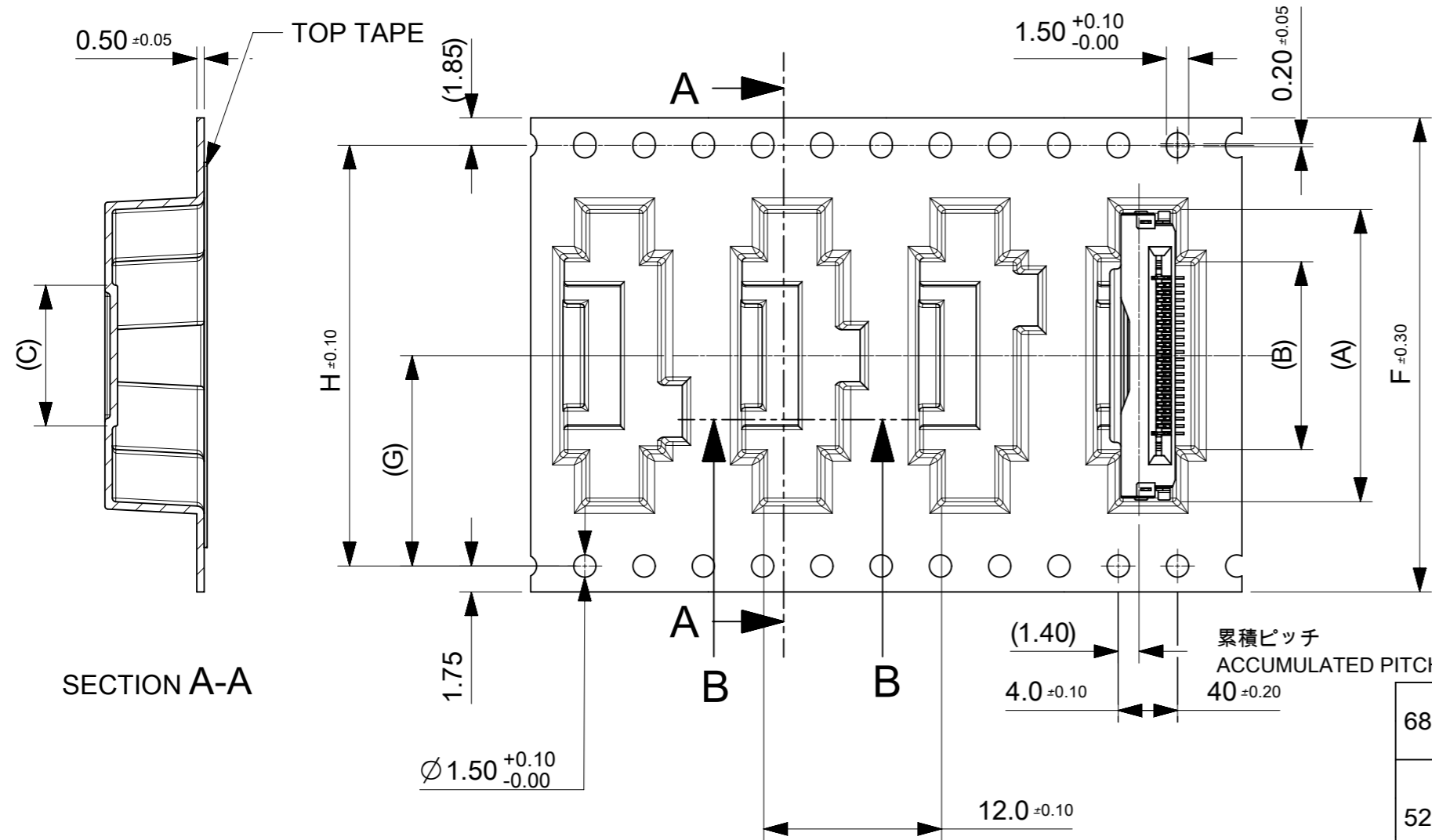
SECTION D-D

11.5	24	29.4	25.4	4.5	7.65	14.7	2004850310		10
G	F	E	D	C	B	A	EMBOSSED PACKAGE		Ckt
							オーダー番号 ORDER NO.		

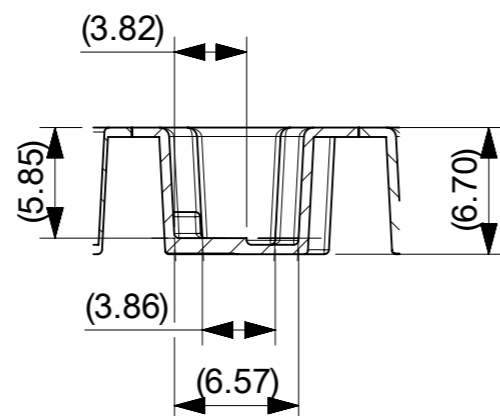
THIS DRAWING CONTAINS INFORMATION THAT IS PROPRIETARY TO MOLEX ELECTRONIC TECHNOLOGIES, LLC AND SHOULD NOT BE USED WITHOUT WRITTEN PERMISSION									
DIMENSION UNITS mm		SCALE NTS		CURRENT REV DESC:				<b>molex</b>	
GENERAL TOLERANCES (UNLESS SPECIFIED)		ANGULAR TOL ± 1.0°		EC NO: 648126					
4 PLACES ± 0.1		3 PLACES ± 0.1		DRWN: TYAMANE		2020/10/15		EMB PKG ONE-TOUCH ST GND HT	
2 PLACES ± 0.1		1 PLACE ± 0.1		CHK'D: YMATSUMOTO		2020/10/30		PRODUCT CUSTOMER DRAWING	
0 PLACES ± 0.1		INITIAL REVISION:		APPR: SHOSHIKAWA		2020/11/02		DOCUMENT NUMBER	
DRAFT WHERE APPLICABLE MUST REMAIN WITHIN DIMENSIONS		THIRD ANGLE PROJECTION		DRAWING		SERIES		MATERIAL NUMBER	
		A3-SIZE		200485		2018/10/04		CUSTOMER	
				2020/06/08		2004850300		PSD 000 B	
						GENERAL		SHEET NUMBER	
						2 OF 3			

CONNECTOR NO. 20048513\*\*

引き出し方向  
PULL OUT  
DIRECTION



68.4	34.2	72	78.1	73.5	39.5	42.65	49.7	2004850380	80
					34.5	37.65	44.7	2004850370	70
52.4	26.2	56	61.4	75.4	29.5	32.65	39.7	2004850360	60
					25	28.15	35.2	2004850351	51
40.4	20.2	44	49.4	45.4	24.5	27.65	34.7	2004850350	50
					19.5	22.65	29.7	2004850340	40
					17	20.15	27.2	2004850335	35
28.4	14.2	32	37.4	33.4	14.5	17.65	24.7	2004850330	30
					9.5	12.65	19.7	2004850320	20
H	G	F	E	D	C	B	A	EMBOSSED PACKAGE	Ckt
								オーダー番号 ORDER NO.	

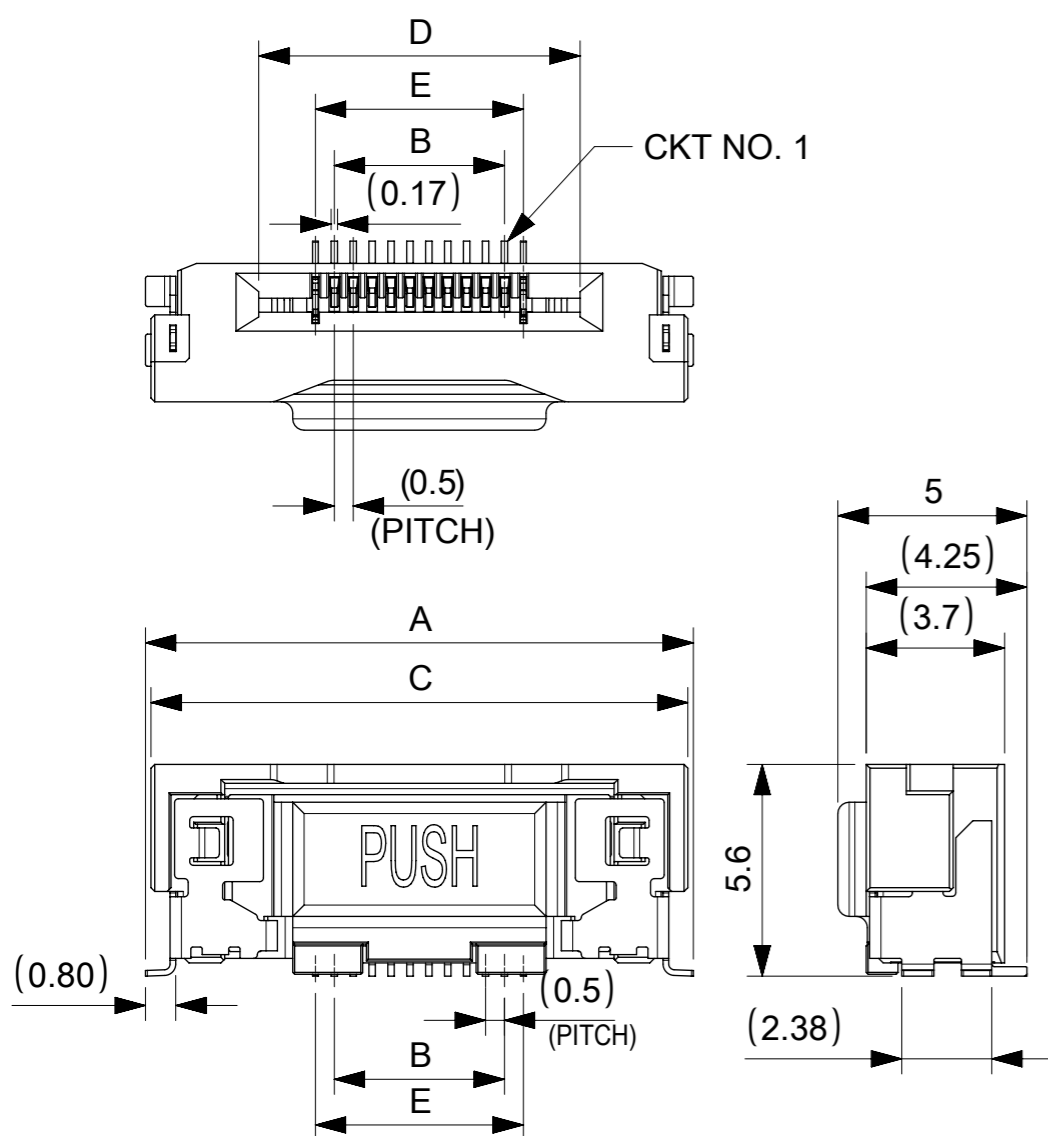


SECTION B-B

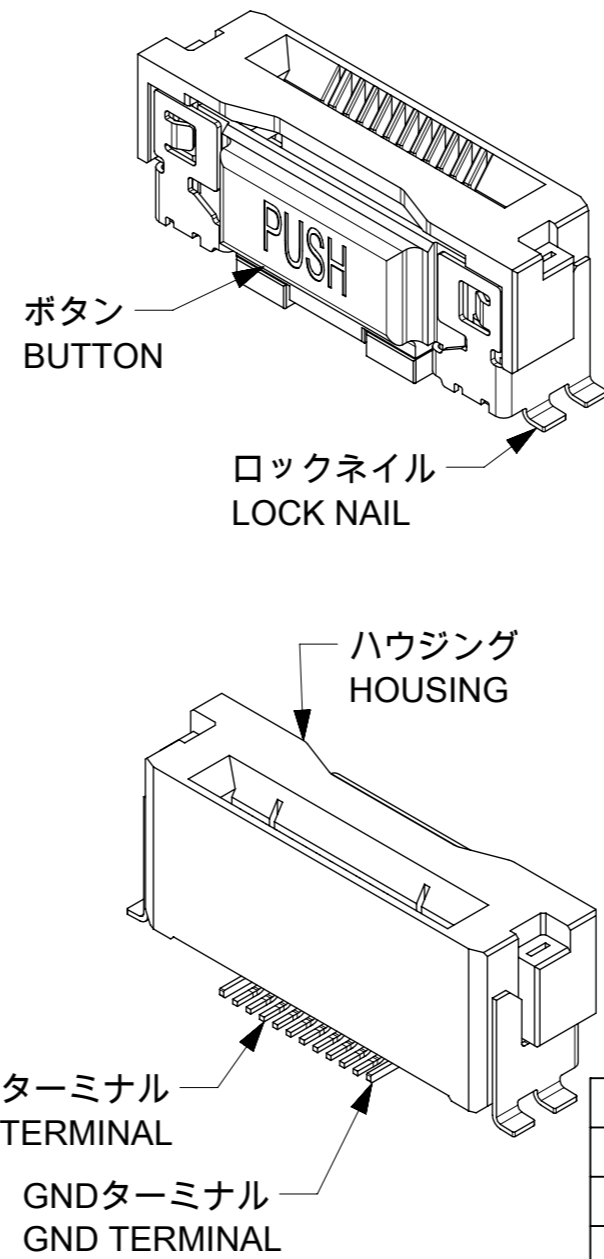
CONNECTOR NO. 20048513\*\*

THIS DRAWING CONTAINS INFORMATION THAT IS PROPRIETARY TO MOLEX ELECTRONIC TECHNOLOGIES, LLC AND SHOULD NOT BE USED WITHOUT WRITTEN PERMISSION

DIMENSION UNITS mm	SCALE NTS	CURRENT REV DESC:		<b>molex</b>	
GENERAL TOLERANCES (UNLESS SPECIFIED)		EC NO: 648126			
ANGULAR TOL	± 1.0 °	DRWN: TYAMANE 2020/10/15		PRODUCT CUSTOMER DRAWING	
4 PLACES	± 0.1	CHK'D: YMATSUMOTO 2020/10/30		DOCUMENT NUMBER	
3 PLACES	± 0.1	APPR: SHOSHIKAWA 2020/11/02		2004850300	
2 PLACES	± 0.1	INITIAL REVISION:		DOC TYPE	DOC PART
1 PLACE	± 0.1	DRWN: TYAMANE 2018/10/04		PSD	000
0 PLACES	± 0.1	APPR: SHOSHIKAWA 2020/06/08		REVISION	B
DRAFT WHERE APPLICABLE MUST REMAIN WITHIN DIMENSIONS		THIRD ANGLE PROJECTION	DRAWING	SERIES	MATERIAL NUMBER
			A3-SIZE	200485	CUSTOMER
					GENERAL
					SHEET NUMBER
					3 OF 3

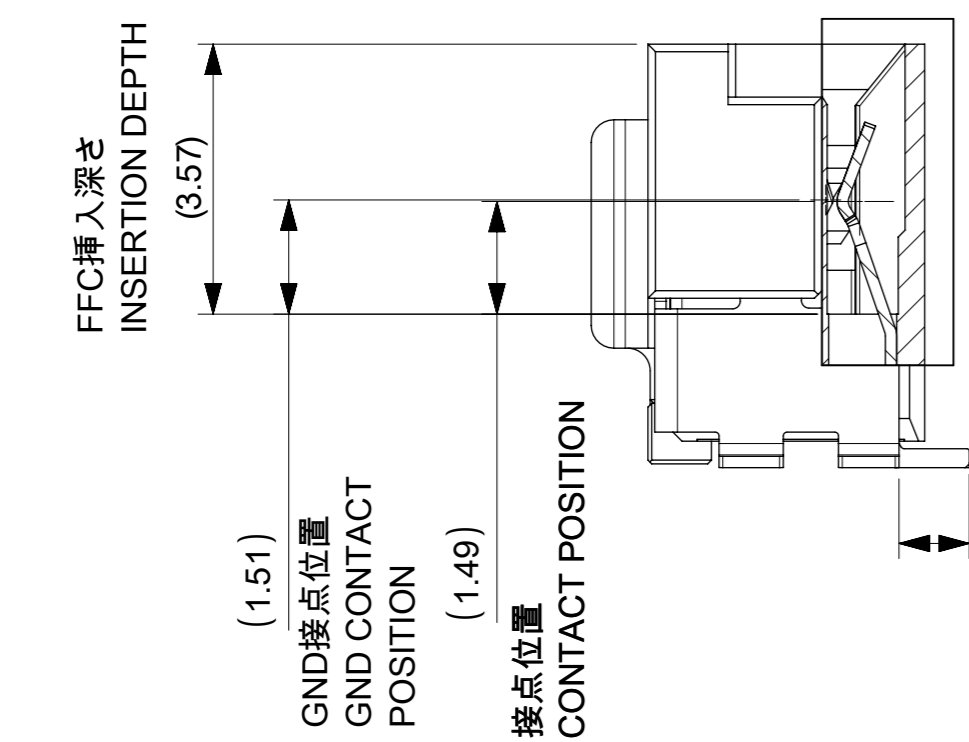


CKT NO. 1



NOTES:

- 1.使用材料 MATERIAL  
 ハウジング : 液晶ポリマー, ガラス充填, UL94V-0(黒)  
 HOUSING : LIQUID CRYSTAL POLYMER, GLASS FILLED, UL94V-0(BLACK)  
 ボタン : 液晶ポリマー, ガラス充填, UL94V-0(ナチュラル)  
 BUTTON : LIQUID CRYSTAL POLYMER, GLASS FILLED, UL94V-0(NATURAL)  
 ターミナル : 銅合金(t=0.15)  
 TERMINAL : COPPER ALLOY  
 ロックネール : 銅合金(t=0.15)  
 LOCK NAIL : COPPER ALLOY  
 GNDターミナル : 銅合金(t=0.15)  
 GND TERMINAL : COPPER ALLOY
- 2.めっき仕様 PLATING  
 ターミナル TERMINAL  
 接点部 : 金めっき 0.1μm以上  
 CONTACT AREA : GOLD 0.1 MICROMETER MINIMUM  
 半田付け部 : 金めっき  
 SOLDER TAIL AREA : GOLD  
 下地めっき : ニッケル 1.0μm以上  
 UNDERPLATE : NICKEL 1.0 MICROMETER MINIMUM  
 ロックネール LOCK NAIL  
 錫めっき(1.0μm以上)  
 TIN PLATING (1.0 MICROMETER MIN.)  
 GNDターミナル GND TERMINAL  
 錫めっき(1.0μm以上)  
 TIN PLATING (1.0 MICROMETER MIN.)
- 3.平坦度は0.1ミリ以下とする。  
 COPLANALITY TO BE 0.1 MAXIMUM.

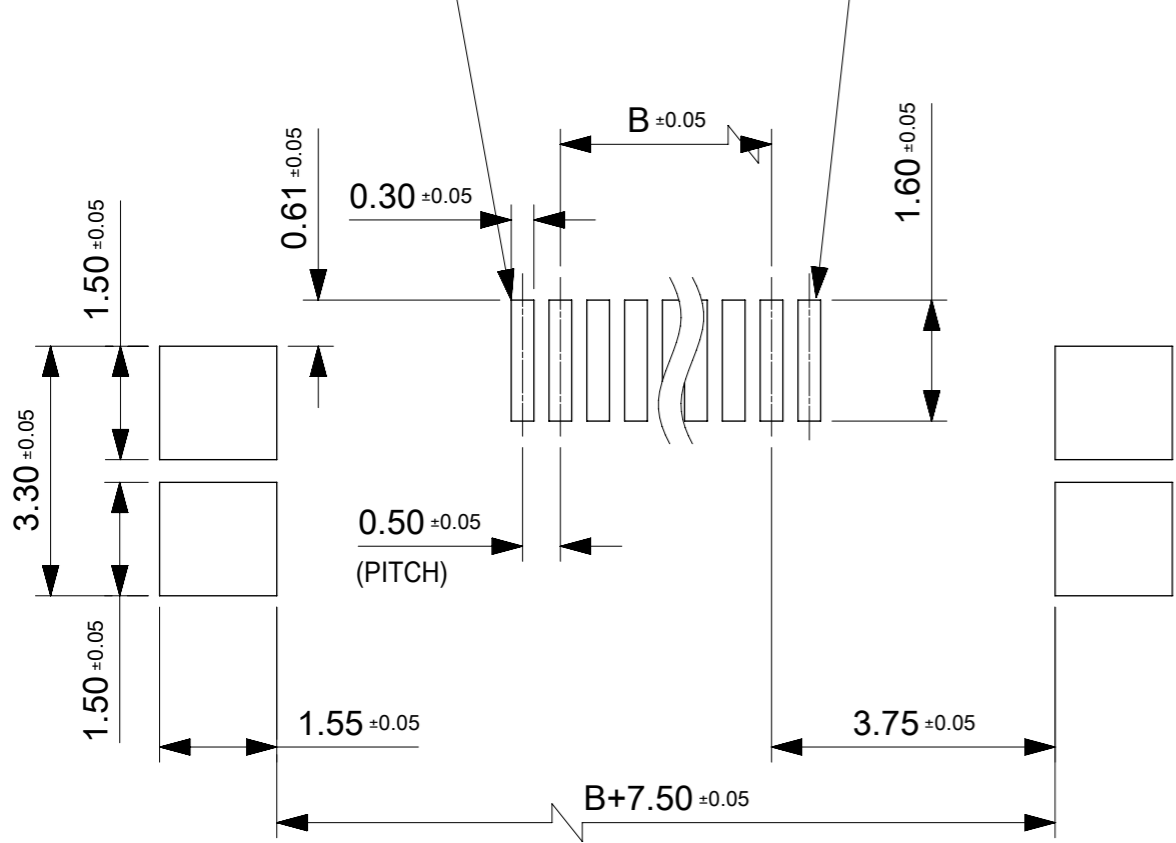


1.323	40.5	43.5	49.2	39.5	49.49	2004850380	80
1.215	35.5	38.5	44.2	34.5	44.49	2004850370	70
1.072	30.5	33.5	39.2	29.5	39.49	2004850360	60
0.957	26	29	34.7	25	34.99	2004850351	51
0.942	25.5	28.5	34.2	24.5	34.49	2004850350	50
0.796	20.5	23.5	29.2	19.5	29.49	2004850340	40
0.702	18	21	26.7	17	26.99	2004850335	35
0.650	15.5	18.5	24.2	14.5	24.49	2004850330	30
0.504	10.5	13.5	19.2	9.5	19.49	2004850320	20
0.358	5.5	8.5	14.2	4.5	14.49	2004850310	10
NET WEIGHT (g)	E	D	C	B	A	EMBOSSED PACKAGE	CIRC UIT
CONNECTOR SERIES NO. 20048513**						ORDER NO.	

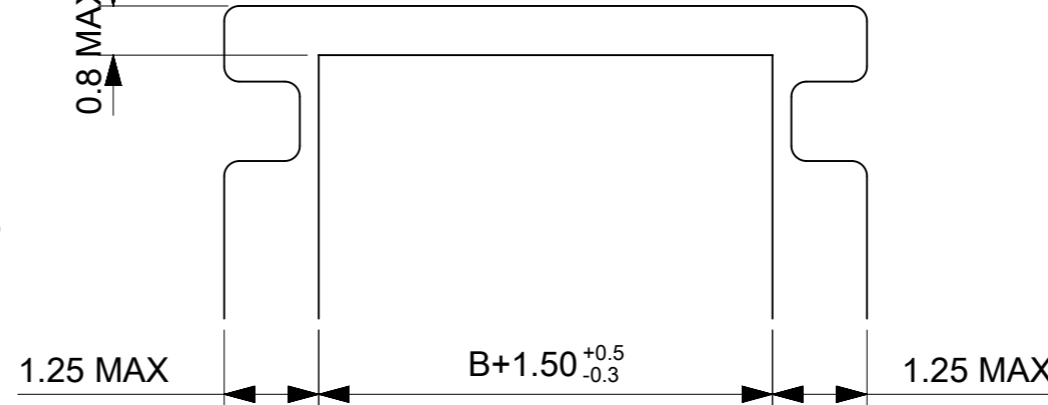
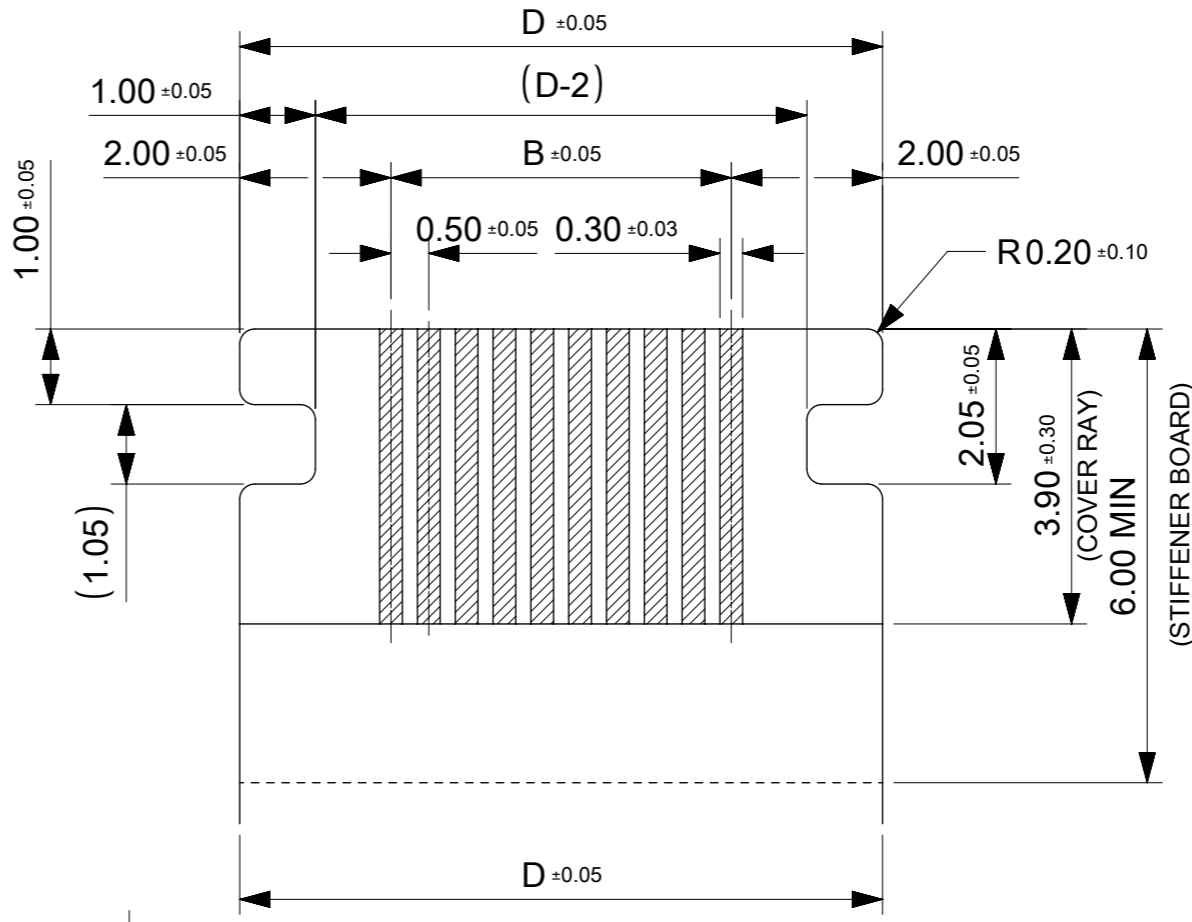
THIS DRAWING CONTAINS INFORMATION THAT IS PROPRIETARY TO MOLEX ELECTRONIC TECHNOLOGIES, LLC AND SHOULD NOT BE USED WITHOUT WRITTEN PERMISSION

DIMENSION UNITS mm	SCALE 5:1	CURRENT REV DESC:	<b>molex</b>			
GENERAL TOLERANCES (UNLESS SPECIFIED)						0.5FFC CONN. ST ONE TOUCH ASSY GND HT
ANGULAR TOL ± 1.0°	EC NO: 674194	DRWN: AHMADI2	2021/08/18			
4 PLACES ± 0.1	CHK'D: TKON	APPR: SHOSHIKAWA	2021/08/19			
3 PLACES ± 0.1	INITIAL REVISION:		PRODUCT CUSTOMER DRAWING			
2 PLACES ± 0.1	DRWN: AOKAJIMA	2017/03/08	DOCUMENT NUMBER	DOC TYPE	DOC PART	REVISION
1 PLACE ± 0.1	APPR: SHOSHIKAWA	2020/06/08	2004851300	PSD	000	C
0 PLACES ± 0.1	THIRD ANGLE PROJECTION		MATERIAL NUMBER	CUSTOMER	SHEET NUMBER	
DRAFT WHERE APPLICABLE MUST REMAIN WITHIN DIMENSIONS	DRAWING		SEE TABLE	GENERAL	1 OF 2	

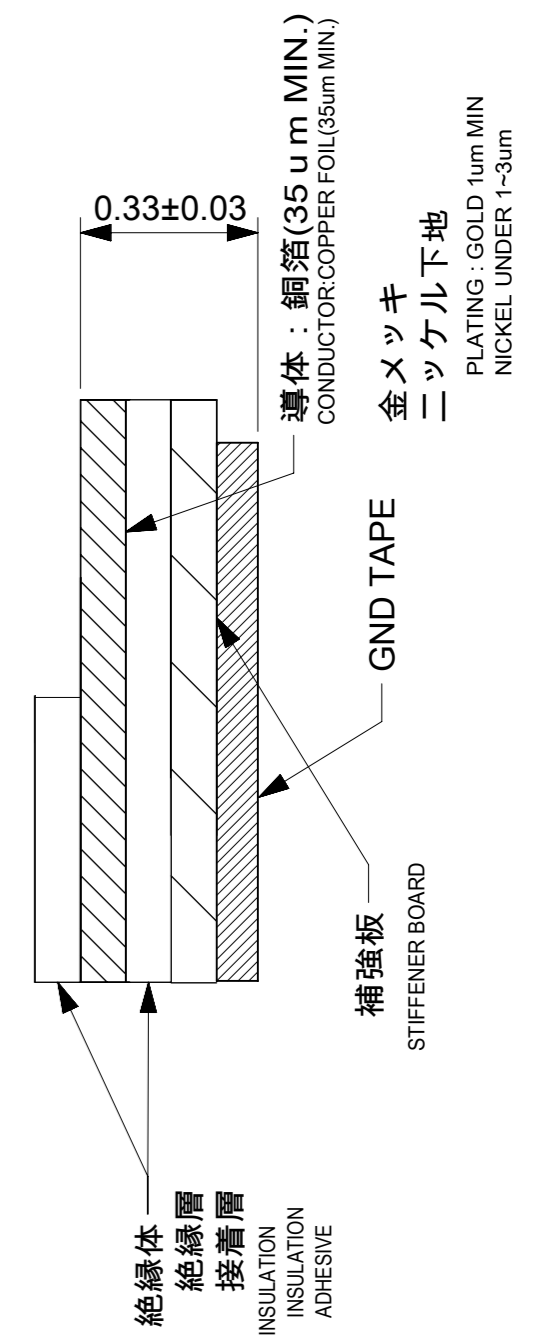
(FOR GND TERMINAL) (FOR GND TERMINAL)



推奨PWB寸法  
 RECOMMENDED PWB DIMENSION  
 推奨メタルマスク厚、開口率 : t=0.12mm, 80%  
 RECOMMENDED METAL MASK THICKNESS, APERTURE RATIO : t=0.12mm, 80%  
 ロックネール部開口部は100%  
 APERTURE RATIO FOR LOCK NAIL: 100%



推奨FFC寸法  
 RECOMMENDED FFC DIMENSION  
 抜き方向は導体側から補強版側を推奨します  
 RECOMMENDED PUNCHING DIRECTION:  
 FROM CONDUCTOR SIDE TO STIFFENER SIDE



THIS DRAWING CONTAINS INFORMATION THAT IS PROPRIETARY TO MOLEX ELECTRONIC TECHNOLOGIES, LLC AND SHOULD NOT BE USED WITHOUT WRITTEN PERMISSION									
DIMENSION UNITS <b>mm</b>		SCALE <b>10:1</b>		CURRENT REV DESC:				<b>molex</b>	
GENERAL TOLERANCES (UNLESS SPECIFIED)									
ANGULAR TOL ± 1.0 °				EC NO: 674194				0.5FFC CONN. ST ONE TOUCH ASS'Y GND HT	
4 PLACES ± 0.1				DRWN: AHMADI2 2021/08/18				PRODUCT CUSTOMER DRAWING	
3 PLACES ± 0.1				CHK'D: TKON 2021/08/19					
2 PLACES ± 0.1				APPR: SHOSHIKAWA 2021/08/19					
1 PLACE ± 0.1				INITIAL REVISION:				DOCUMENT NUMBER	
0 PLACES ± 0.1				DRWN: AOKAJIMA 2017/03/08				2004851300	
				APPR: SHOSHIKAWA 2020/06/08				DOC TYPE DOC PART REVISION	
DRAFT WHERE APPLICABLE MUST REMAIN WITHIN DIMENSIONS		THIRD ANGLE PROJECTION		DRAWING		SERIES		MATERIAL NUMBER CUSTOMER SHEET NUMBER	
				A3-SIZE		200485		SEE TABLE GENERAL 2 OF 2	

DOCUMENT STATUS	P1	RELEASE DATE	2021/08/19	01:59:56
-----------------	----	--------------	------------	----------

FORMAT: master-b-prod-A3  
 REVISION: J  
 DATE: 2020/01/14