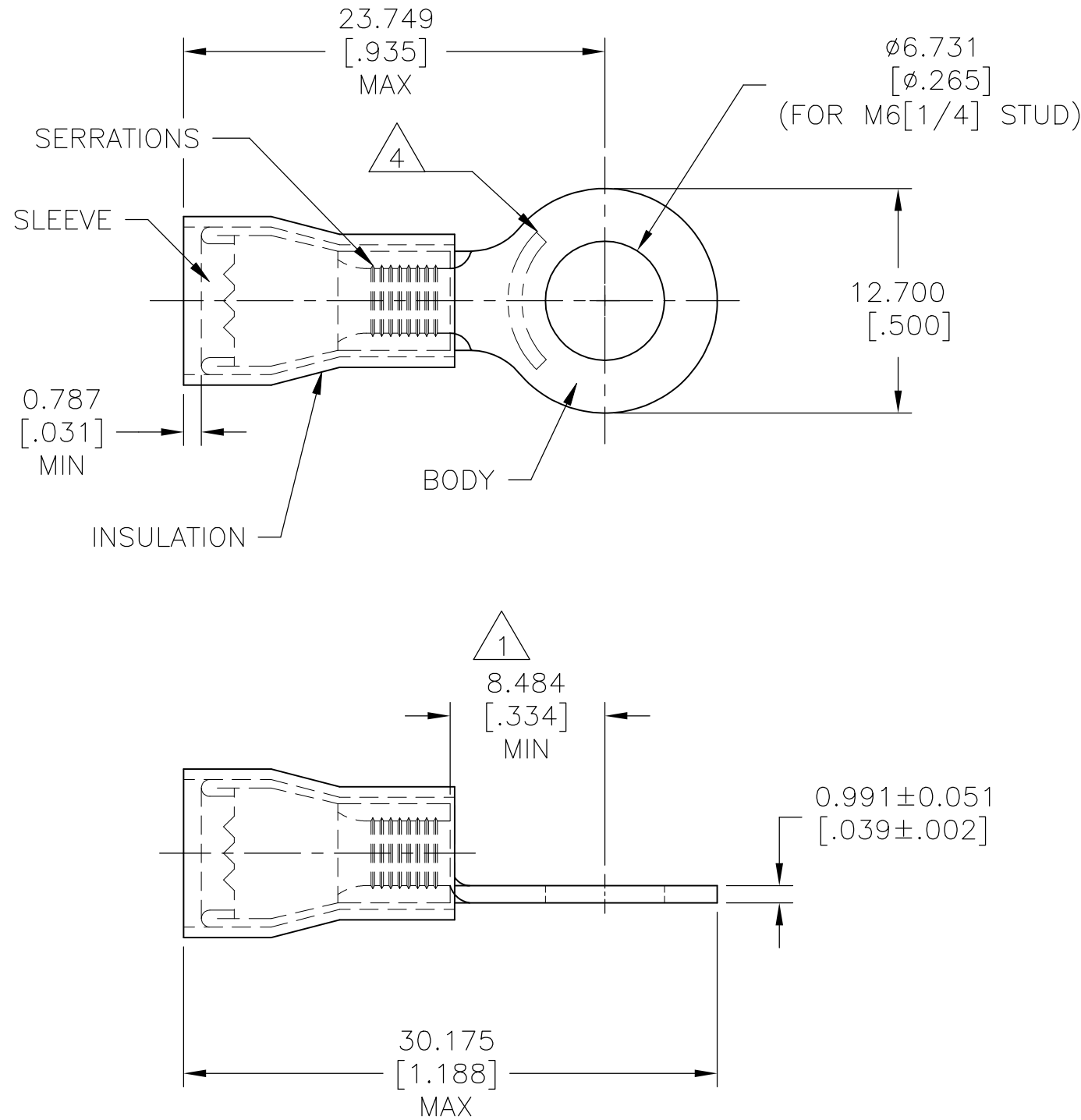


P	LTR	DESCRIPTION	DATE	DWN	APVD
	B1	REVISED PER ECO-17-008114	07JUN2018	RS	DR



- △ 1 APPLIES FROM EDGE OF METAL WIRE BARREL TO CENTER OF STUD HOLE
- △ 2 MATERIAL:
BODY & SLEEVE: COPPER PER ASTM B152
INSULATION: NYLON
- △ 3 FINISH:
BODY & SLEEVE: TIN PLATED PER ASTM B545
INSULATION: COLOR - YELLOW
- △ 4 STAMP AMP 12-10* APPROX AS SHOWN
- 5 FOR 3.810 TO 6.350 [.150 TO .250] INS. DIA

500	LOOSE PIECE	165034
QTY	PACKAGE TYPE	PART NO

AMP INCORPORATED
CUSTOMER SERVICE SYSTEMS

THIS DRAWING IS A CONTROLLED DOCUMENT.

DWN RAVI S 07JUN2018

CHK ROHDE DANIEL F 07JUN2018

APVD ROHDE DANIEL F 07JUN2018



FOR ADDITIONAL PRODUCT INFORMATION OR COPIES OF DRAWINGS AND TECHNICAL DOCUMENTS
PRODUCT INFORMATION CENTER
1-800-522-6752

MAX RECOMMENDED OPERATING TEMPERATURE:
105°C[221°F]

FOR APPLICATION TOOLING INFORMATION
TOOLING ASSISTANCE CENTER
1-800-722-1111

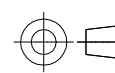
VOLTAGE RATING:
300 V MAX

FOR ORDER ENTRY
1-800-526-5142

WIRE CROSS SECTIONAL AREA RANGE,
2.62-6.64mm²[5,180-13,100] CIR MILS

DIMENSIONS:
mm [INCHES]

TOLERANCES UNLESS OTHERWISE SPECIFIED:



0 PLC ± -
1 PLC ± -
2 PLC ± -
3 PLC ± 0.127[.005]
4 PLC ± - ± -
ANGLES ± -

MATERIAL



FINISH



NAME
UL 486 A-B

APPLICATION SPEC
114-2157

WEIGHT

TERMINAL, RING TONGUE, PIDG
WIRE SIZE: 12-10 AWG

SIZE	CAGE CODE	DRAWING NO	RESTRICTED TO
A3	00779	C-165034	-

CUSTOMER DRAWING SCALE N.T.S SHEET 1 OF 1 REV B1