

NOTES:

1. MATERIALS AND FINISHES:

- HEX NUT - BRASS, WHITE BRONZE PLATING
- FERRULE - COPPER, WHITE BRONZE PLATING
- BODY - BRASS, WHITE BRONZE PLATING
- CONTACT - PHOSPHOR BRONZE, GOLD PLATING
- INSULATOR - PTFE, NATURAL

2. ELECTRICAL:

- A. IMPEDANCE: 50 OHM, NOMINAL
- B. FREQUENCY RANGE: 0-11 GHz
- C. VSWR (RETURN LOSS): 1.25 (-19.085 dB) MAX. @ 0-3 GHz
- D. D.W.V: 900 VRMS, MIN.

3. MECHANICAL:

- A. DURABILITY: 500 CYCLES MIN.
- B. TEMPERATURE RANGE: -65°C TO +165°C

4. CRIMPED FERRULE HEX CRIMP SIZE .151"

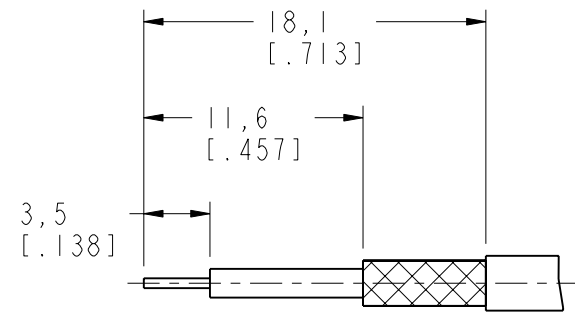
5. CRIMPED CONTACT PIN HEX. CRIMP SIZE .100" OR TO SOLDER

6. SHOWS CABLE ENTRY DIMENSIONS.

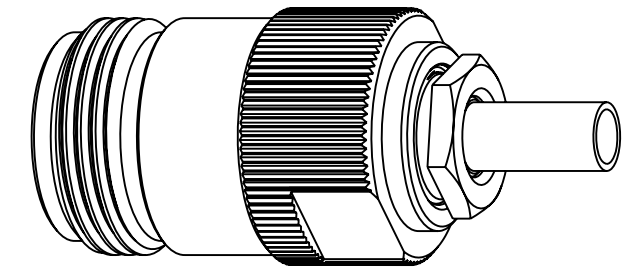
THIRD ANGLE PROJ.

REVISIONS

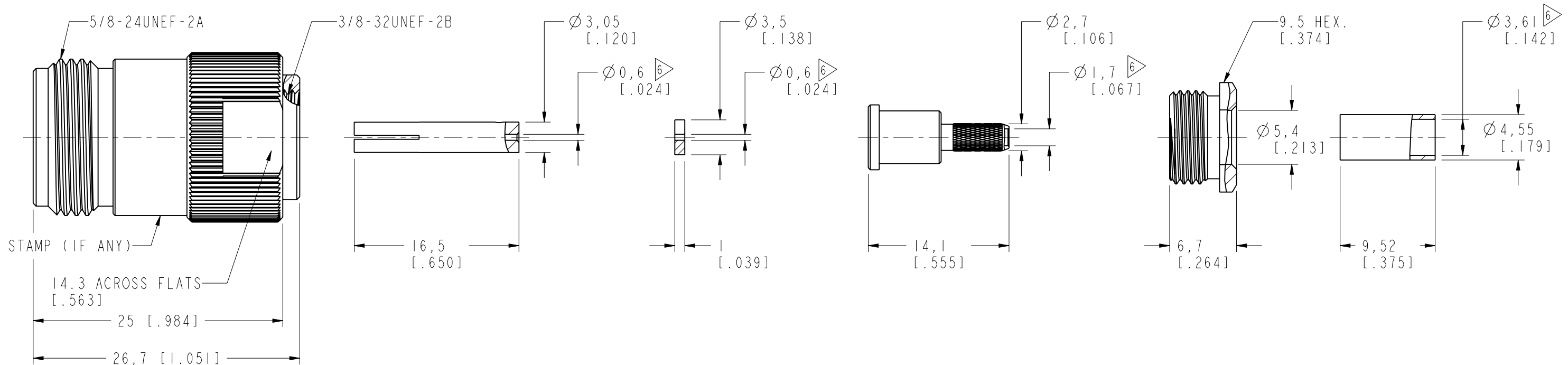
REV	DESCRIPTION	DATE	ECO	APPR
NC	INITIAL RELEASE	01-Nov-00	----	GRS
A	PLATING WAS CHANGED	27-Sep-12	2230	TD
B	SYNC, CHANGE THE BARREL O.D. & THE FERRULE	16-Nov-16	02623	MZ



RECOMMENDED CABLE STRIPPING DIM'S



SCALE 2.000



CUSTOMER OUTLINE DRAWING

ALL OTHER SHEETS ARE FOR INTERNAL USE ONLY

<p>UNLESS OTHERWISE SPECIFIED, DIMENSIONS ARE IN METRIC AND TOLERANCES ARE: <0.5mm ± 0.05mm 0.5 - 6mm ± 0.1mm 6 - 30mm ± 0.2mm 30 - 120mm ± 0.3mm ANGLES ± 1°</p>	MATERIAL	DRAWN M. ZHANG	DATE 16-Nov-16	<p>TITLE N CRIMP JACK (FOR RG-316U/D CABLE)</p>	<p>Amphenol RF www.amphenolrf.com</p>
	REFERENCE AND CONFIGURATION LEVEL: In Work	ENGINEER S. DUAN	DATE 16-Nov-16		
<p>NOTICE - These drawings, specifications, or other data (1) are, and remain the property of Amphenol corp. (2) must be returned upon request; and (3) are confidential and not to be disclosed to any person other than those to whom they are given by Amphenol Corp. the furnishing of these drawings, specifications, or other data by Amphenol Corp., or to any other person to anyone for any purpose is not to be regarded by implication or otherwise in any manner licensing, granting rights to permitting such holder or any other person to manufacture, use or sell any product, process or design, patented or otherwise, that may in any way be related to or disclosed by said drawings, specifications, or other data.</p>	FINISH	APPROVED H. HE	DATE 16-Nov-16	SCALE: 2.5:1.0 SHEET 2 OF 2	ITEM NO. 036121AAD35CP5F
			CAD FILE		DWG SIZE B REV B