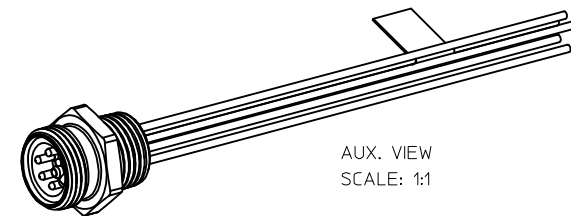
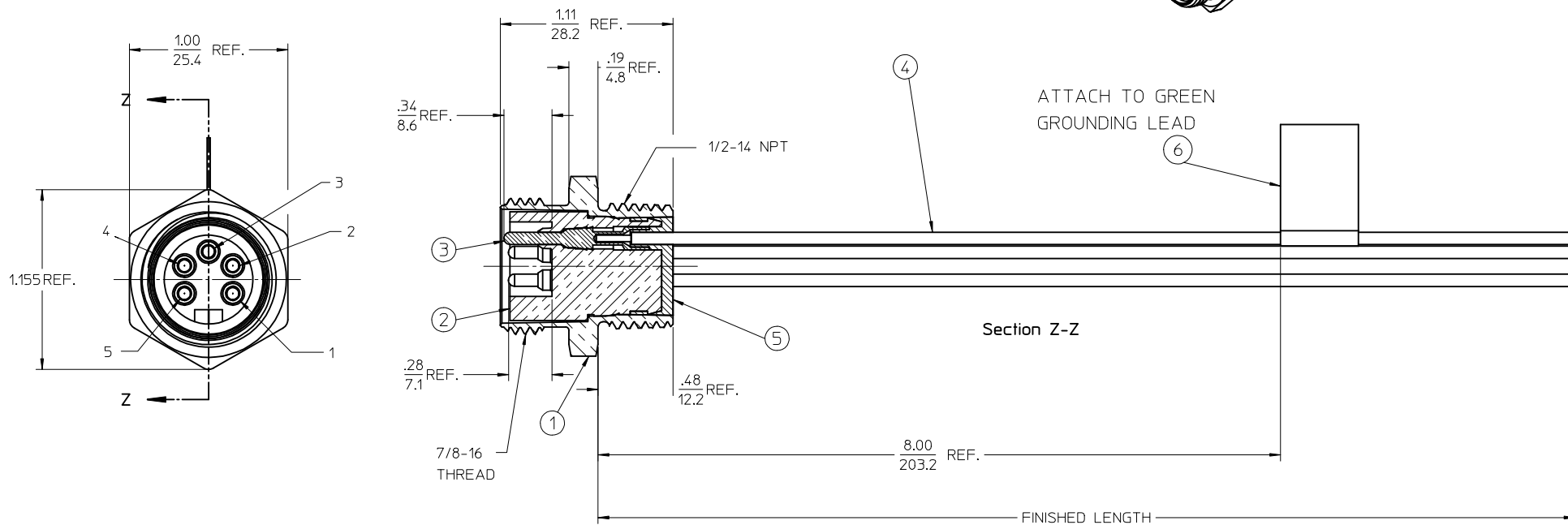


MATERIAL NO.	ENGINEERING NO.	LENGTH
1300130513	1R5006A21A1202	12IN 18/1 PVC
1300130514	1R5006A21F1202	12FT 18/1 PVC

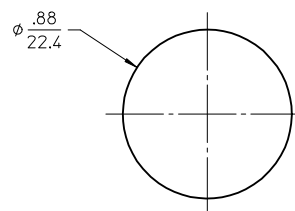


AUX. VIEW
SCALE: 1:1



NOTES:

1. MATERIAL: SEE TABLE
2. FINISHES: SEE TABLE
3. MATES WITH: 5C MINI CHANGE CABLE
4. ELECTRICAL SPECIFICATIONS:
VOLTAGE RATING: 300V AC/DC
CURRENT RATING: 5.6 AMPS
5. ASSEMBLY IS RoHS COMPLIANT BY EXEMPTION
6. CSA FILE LR6837 C CSA US
7. PROTECTION: IP67
8. TEMP. RANGE: -20°C TO +105°C



KNOCKOUT HOLE

WHITE	1
RED	2
GREEN	3
ORANGE	4
BLACK	5

WIRING DIAGRAM

ITEM	QTY.	DESCRIPTION	MATERIAL	FINISH
6	1	LABEL	PLASTIC FILM	BLACK/YELLOW
5	1	POTTING MATERIAL	EPOXY	
4	5	WIRE, 18 AWG	PVC INSULATION	SEE WIRE DIAGRAM
3	5	CONTACT PIN	Cu ALLOY	GOLD PLATED
2	1	INSERT	PVC	YELLOW
1	1	RECEPTACLE SHELL	NYLON 6/6	GRAY

RELEASED EC NO: JGZ2013-0818 DRAWN: BARDEN 2012/11/30 CHKD: RSTONE 2012/12/05 APPR: JF MURPHY 2013/01/07	DESCRIPTION	QUALITY SYMBOLS
		$\nabla=0$ $\nabla=0$

GENERAL TOLERANCES (UNLESS SPECIFIED)	
mm	INCH
4 PLACES ± .005	± .0005
3 PLACES ± .005	± .0005
2 PLACES ± 0.13	± .010
1 PLACE ± 0.3	± .010
ANGULAR ± 1/2°	

DRAFT WHERE APPLICABLE
MUST REMAIN
WITHIN DIMENSIONS

DIMENSION STYLE	
IN/MM	
DRAWN BY	DATE
BARDEN	2012/11/30
CHECKED BY	DATE
RSTONE	2012/12/05
APPROVED BY	DATE
JF MURPHY	2013/01/07
MATERIAL NO.	
SEE CHART	
SIZE	

SCALE	DESIGN UNITS	THIRD ANGLE PROJECTION
2:1	INCH	
TITLE MINI-CHANGE, RECEPTACLE 5P, MALE, 18 AWG		
MOLEX INCORPORATED		SHEET NO. 1 OF 1
DOCUMENT NO. SD-130013-117		

THIS DRAWING CONTAINS INFORMATION THAT IS PROPRIETARY TO MOLEX INCORPORATED AND SHOULD NOT BE USED WITHOUT WRITTEN PERMISSION