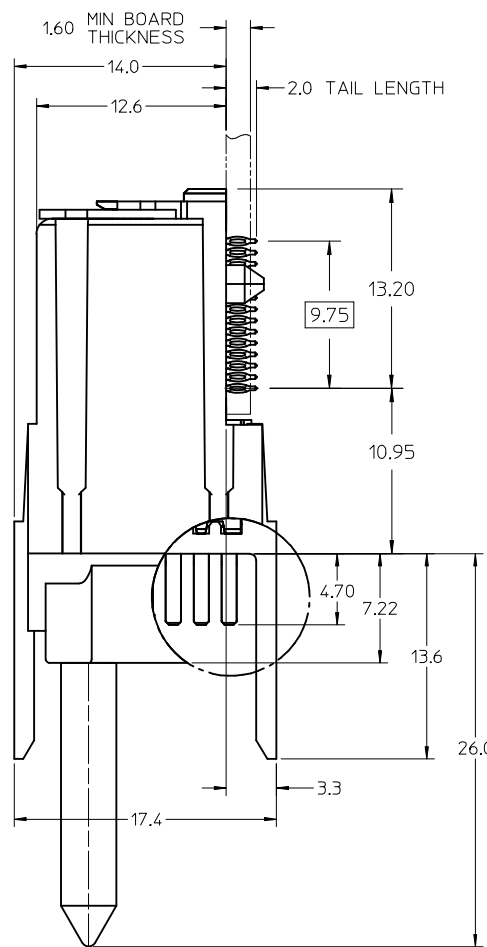


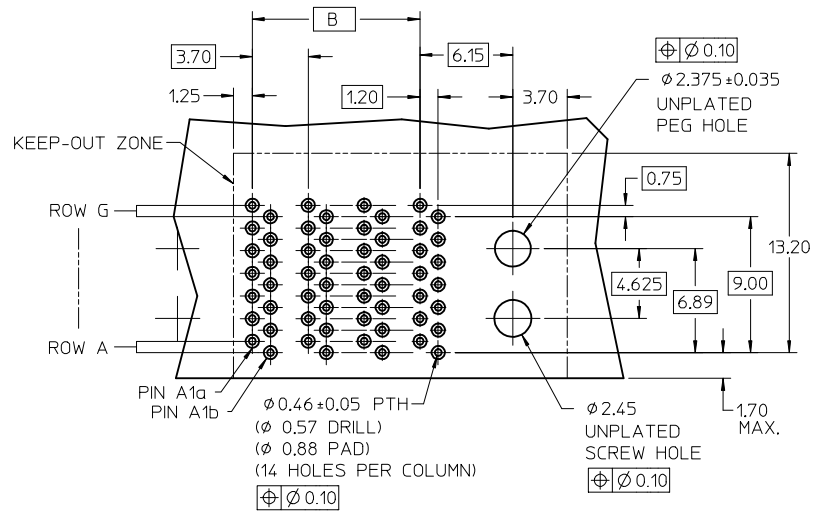
1.3  
ADDITIONAL SPACE  
REQUIRED FOR END  
WALL VERSION



STANDARD PIN OPTION  
(76011-\*\*\*3)  
(76011-\*\*\*7)

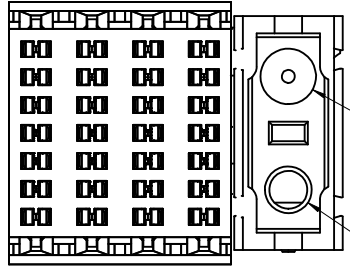
SEE  
NOTE 4.

PART NUMBER	# OF COLUMNS	DIM "A" MAX	DIM "B"
76011 - *4**	4	22.06	11.10
76011 - *6**	6	29.60	18.50
76011 - *1**	10	44.40	33.30



RAM HOLE PATTERN  
(CONNECTOR SIDE)

- NOTES:
1. MATERIALS: HOUSING - LIQUID CRYSTAL POLYMER (LCP), BLACK, UL 94V-0  
TERMINALS - HIGH PERFORMANCE COPPER ALLOY
  2. FINISH: SELECTIVE GOLD (Au) IN CONTACT AREA,  
SELECTIVE MATTE TIN (Sn) IN TAIL AREA,  
NICKEL (Ni) UNDERPLATE OVERALL.
  3. MOLEX PRODUCT SPECIFICATION: PS-75710-999.
  4. OPTIONAL GUIDE PIN SHOWN IN COPLANAR LOCATION.
  5. THIS PART CONFORMS TO CLASS B REQUIREMENTS OF  
COSMETIC SPEC PS-45499-002.
  6. PACKAGED PER PK-70873-588.
  7. MAPS (MOLEX ADVANCED PLATING SYSTEM).



LOCATION OF GUIDE PIN  
FOR STANDARD COPLANAR

LOCATION OF GUIDE PIN  
FOR INVERTED APPLICATION

REV	DESCRIPTION	QUALITY SYMBOLS
G	ADD 50 GOLD EC NO: UCP2014-3112 DRWN:WOLFE 2014/01/29 CHKD:SYANG 2014/01/29 APPR:SMILLER 2014/02/11	▽=0 ▽=0 ▽=0

GENERAL TOLERANCES (UNLESS SPECIFIED)	
mm	INCH
4 PLACES ± ---	± ---
3 PLACES ± ---	± ---
2 PLACES ± 0.13	± ---
1 PLACE ± 0.25	± ---
0 PLACE ±	±
ANGULAR ± ---°	

DRAFT WHERE APPLICABLE  
MUST REMAIN  
WITHIN DIMENSIONS

DIMENSION STYLE MM ONLY	
DRAWN BY	DATE
ELO	2006/05/03
CHECKED BY	DATE
JLAURX	2006/05/04
APPROVED BY	DATE
CBIXLER	2006/05/05

SEE CHART

SCALE	DESIGN UNITS	THIRD ANGLE PROJECTION
4:1	METRIC	☉
I-TRAC 7-ROW RIGHT ANGLE MALE GUIDE RIGHT ASSEMBLY		
<b>molex</b>		
MATERIAL NO.	DOCUMENT NO.	SHEET NO.
SEE CHART	SD-76011-003	1 OF 3

THIS DRAWING CONTAINS INFORMATION THAT IS PROPRIETARY TO MOLEX  
INCORPORATED AND SHOULD NOT BE USED WITHOUT WRITTEN PERMISSION

7 6 0 1 1 - \* \* \* \*

MODULE TYPE - TAIL PLATING TYPE

- GUIDE RIGHT - MATTE TIN (FORMERLY TIN/LEAD) = 4
- GUIDE RIGHT - MATTE TIN = 5
- GUIDE RIGHT, END WALL - MATTE TIN (FORMERLY TIN/LEAD) = 8
- GUIDE RIGHT, END WALL - MATTE TIN = 9

# OF COLUMNS

- 4 = 4 COL
- 6 = 6 COL
- 1 = 10 COL

ORIENTATION  
GUIDE POST

- 2 = COPLANAR
- 3 = INVERTED

PIN LENGTH/PLATING

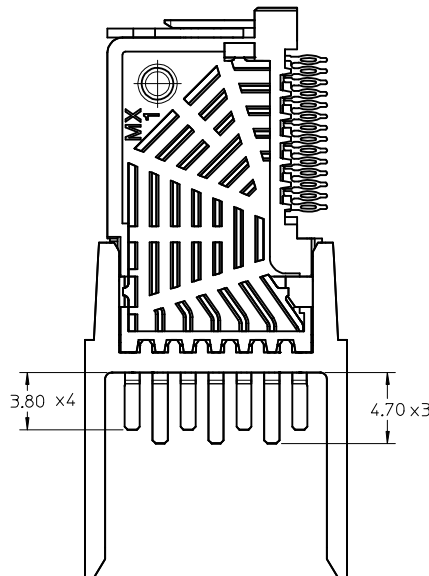
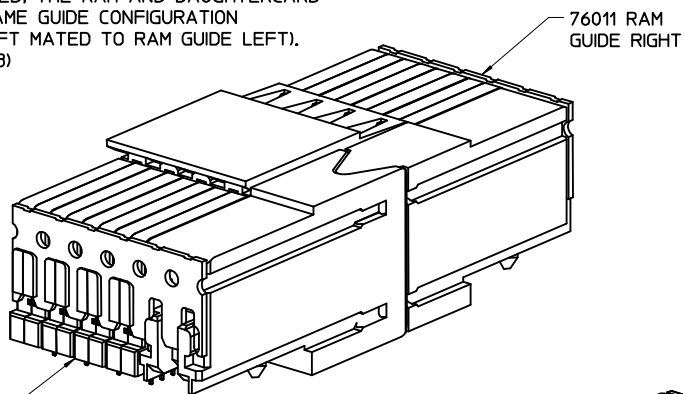
- 3 = 4.70 30 GOLD
- 5 = 4 X 3.80, 3 X 4.70 STAGGERED 30 GOLD
- 6 = 2 X 3.80, 5 X 4.70 STAGGERED 30 GOLD

- 7 = 4.70 10 GOLD (MAPS)
- 8 = 4 X 3.80, 3 X 4.70 STAGGERED 10 GOLD (MAPS)
- 9 = 2 X 3.80, 5 X 4.70 STAGGERED 10 GOLD (MAPS)

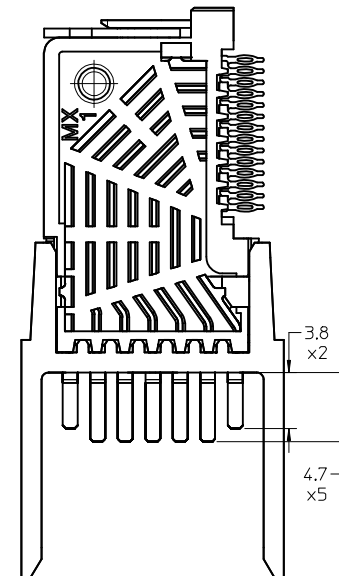
- 1 = 4.70 50 GOLD
- 2 = 4 X 3.80, 3 X 4.70 STAGGERED 50 GOLD
- 4 = 2 X 3.80, 5 X 4.70 STAGGERED 50 GOLD

NOTE:

WHEN MATING RIGHT ANGLE MALE (RAM)  
TO A DAUGHTERCARD IN A COPLANAR APPLICATION,  
THE GUIDE CONFIGURATION IS OPPOSING  
(DC GUIDE LEFT MATED TO RAM GUIDE RIGHT).  
WHEN INVERTED, THE RAM AND DAUGHTERCARD  
HAVE THE SAME GUIDE CONFIGURATION  
(DC GUIDE LEFT MATED TO RAM GUIDE LEFT).  
(SEE SHEET 3)

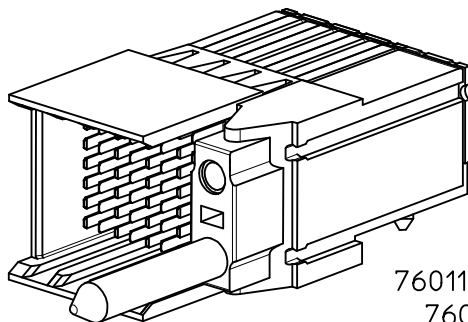


STAGGERED PIN OPTION  
(76011-\*\*\*5)  
(76011-\*\*\*8)

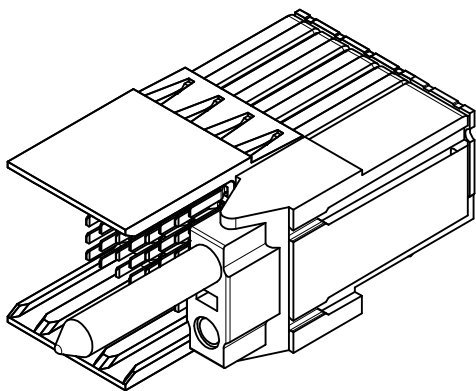


STAGGERED PIN OPTION  
(76011-\*\*\*6)  
(76011-\*\*\*9)

76020 DC  
GUIDE LEFT



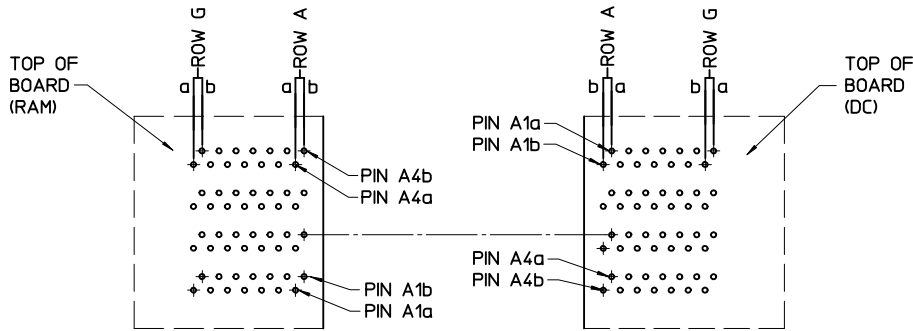
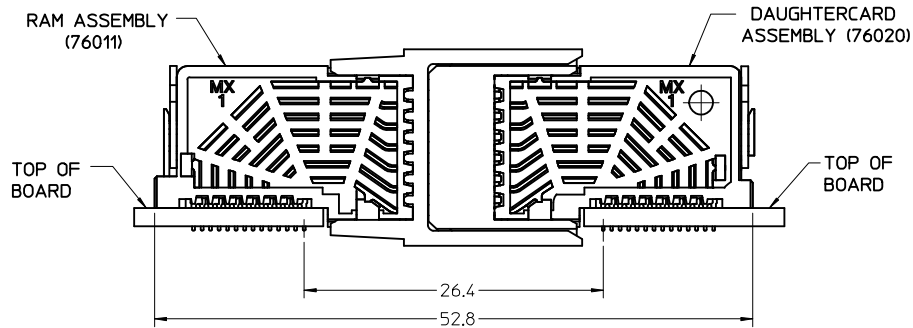
76011-8\*3\* or  
76011-9\*3\*  
GUIDE RIGHT, END WALL,  
INVERTED



76011-4\*2\* or  
76011-5\*2\*  
GUIDE RIGHT, COPLANAR

SEE SHEET 1 EC NO: UCP2014-3112 DRW: MWOLFE 2014/01/29 CHKD: SYANG 2014/01/29 APPR: SMILLER 2014/02/11	QUALITY SYMBOLS	GENERAL TOLERANCES (UNLESS SPECIFIED)	DIMENSION STYLE MM ONLY	SCALE 3:1	DESIGN UNITS METRIC	THIRD ANGLE PROJECTION
	▽=0	mm INCH	DRAWN BY DATE ELO 2006/05/03	TITLE I-TRAC 7-ROW RIGHT ANGLE MALE GUIDE RIGHT ASSEMBLY	<b>molex</b> DOCUMENT NO. SD-76011-003 SHEET NO. 2 OF 3	
	▽=0	4 PLACES ± --- ± ---	CHECKED BY DATE JLAURX 2006/05/04			
	▽=0	3 PLACES ± --- ± ---	APPROVED BY DATE CBIXLER 2006/05/05			
	2 PLACES ± 0.13 ± ---	MATERIAL NO.				
	1 PLACE ± 0.25 ± ---	ANGULAR ± --- °	SEE CHART			
	0 PLACE ± ±	DRAFT WHERE APPLICABLE MUST REMAIN WITHIN DIMENSIONS	SIZE C	THIS DRAWING CONTAINS INFORMATION THAT IS PROPRIETARY TO MOLEX INCORPORATED AND SHOULD NOT BE USED WITHOUT WRITTEN PERMISSION		

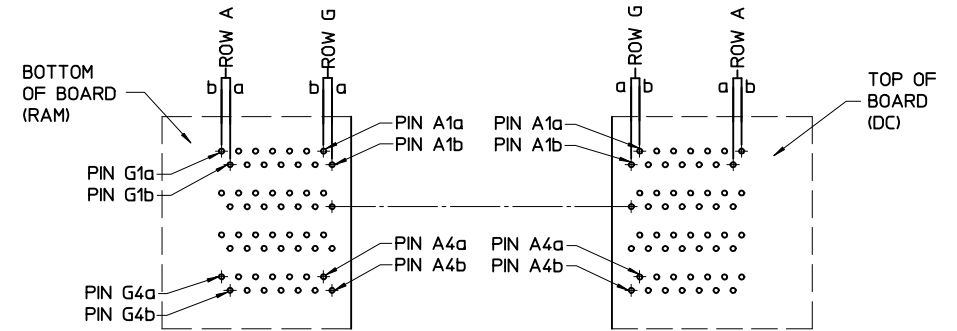
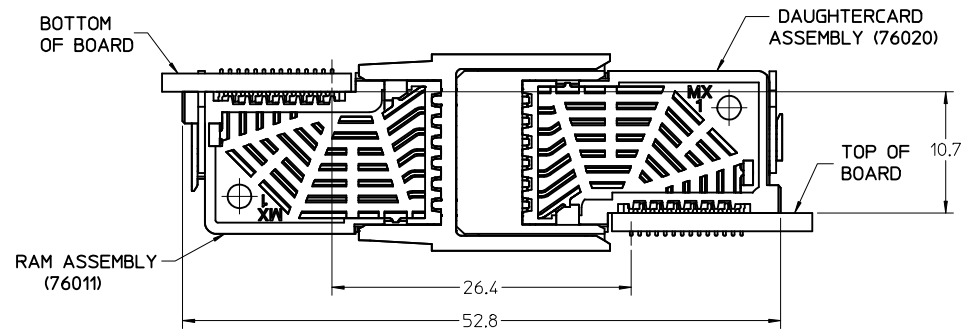
# COPLANAR APPLICATION



**COPLANAR MATED SIGNAL PATHS**

RAM PIN A4b.....	DC PIN A1a
RAM PIN A4a.....	DC PIN A1b
RAM PIN A1b.....	DC PIN A4a
RAM PIN A1a.....	DC PIN A4b

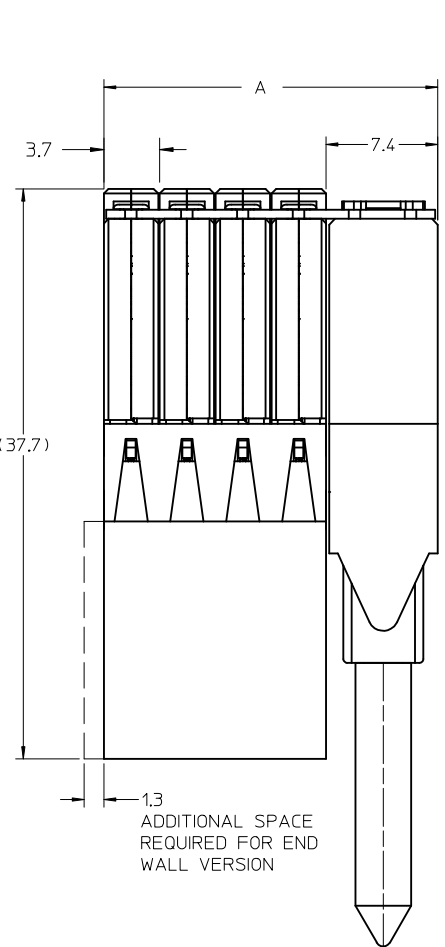
# INVERTED APPLICATION



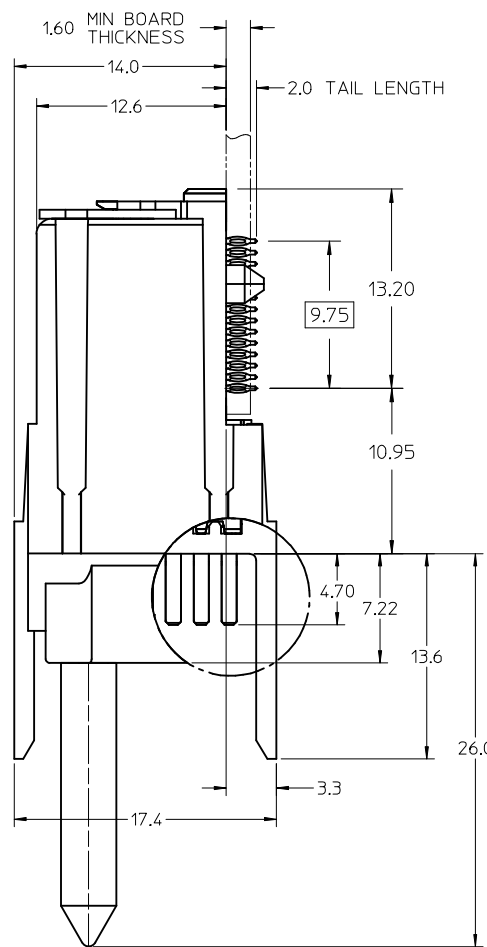
**INVERTED MATED SIGNAL PATHS**

RAM PIN G1a.....	DC PIN A1a
RAM PIN G1b.....	DC PIN A1b
RAM PIN G4a.....	DC PIN A4a
RAM PIN G4b.....	DC PIN A4b

<b>SEE SHEET 1</b> EC NO: UCP2014-3112 DRWN: MWOLFE 2014/01/29 CHKD: SYANG 2014/01/29 APPR: SMILLER 2014/02/11	QUALITY SYMBOLS 	GENERAL TOLERANCES (UNLESS SPECIFIED) <table border="1"> <thead> <tr> <th></th> <th>mm</th> <th>INCH</th> </tr> </thead> <tbody> <tr> <td>4 PLACES</td> <td>± 0.25</td> <td>± 0.010</td> </tr> <tr> <td>3 PLACES</td> <td>± 0.25</td> <td>± 0.010</td> </tr> <tr> <td>2 PLACES</td> <td>± 0.13</td> <td>± 0.005</td> </tr> <tr> <td>1 PLACE</td> <td>± 0.25</td> <td>± 0.010</td> </tr> <tr> <td>0 PLACE</td> <td>±</td> <td>±</td> </tr> </tbody> </table>		mm	INCH	4 PLACES	± 0.25	± 0.010	3 PLACES	± 0.25	± 0.010	2 PLACES	± 0.13	± 0.005	1 PLACE	± 0.25	± 0.010	0 PLACE	±	±	DIMENSION STYLE <b>MM ONLY</b> DRAWN BY DATE ELO 2006/05/03 CHECKED BY DATE JLAURX 2006/05/04 APPROVED BY DATE CBIXLER 2006/05/05	SCALE <b>2:1</b> DESIGN UNITS <b>METRIC</b> THIRD ANGLE PROJECTION	TITLE <b>I-TRAC 7-ROW                  RIGHT ANGLE MALE                  GUIDE RIGHT ASSEMBLY</b> <b>molex</b>	DOCUMENT NO. <b>SD-76011-003</b>	SHEET NO. <b>3 OF 3</b>
		mm	INCH																						
	4 PLACES	± 0.25	± 0.010																						
	3 PLACES	± 0.25	± 0.010																						
2 PLACES	± 0.13	± 0.005																							
1 PLACE	± 0.25	± 0.010																							
0 PLACE	±	±																							
DRAFT WHERE APPLICABLE MUST REMAIN WITHIN DIMENSIONS		MATERIAL NO. <b>SEE CHART</b>	THIS DRAWING CONTAINS INFORMATION THAT IS PROPRIETARY TO MOLEX. INCORPORATED AND SHOULD NOT BE USED WITHOUT WRITTEN PERMISSION																						



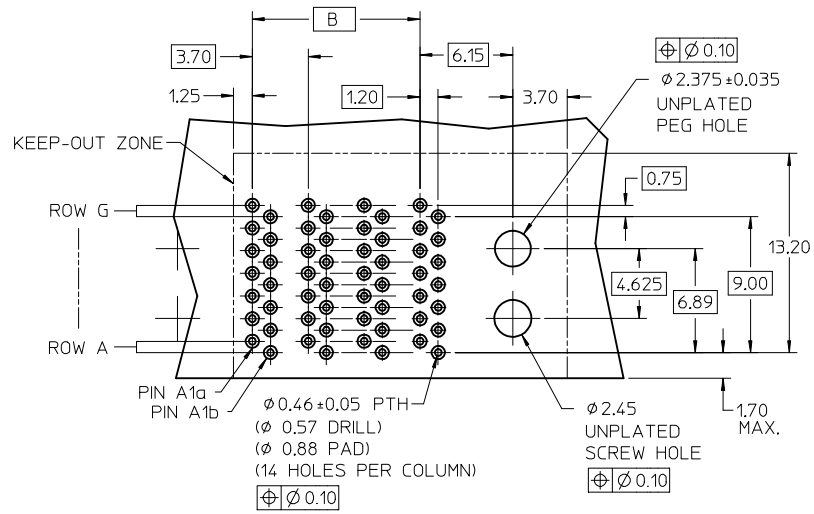
1.3  
ADDITIONAL SPACE  
REQUIRED FOR END  
WALL VERSION



STANDARD PIN OPTION  
(76011-\*\*\*3)  
(76011-\*\*\*7)

SEE  
NOTE 4.

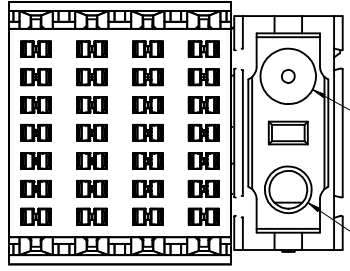
PART NUMBER	# OF COLUMNS	DIM "A" MAX	DIM "B"
76011 - *4**	4	22.06	11.10
76011 - *6**	6	29.60	18.50
76011 - *1**	10	44.40	33.30



RAM HOLE PATTERN  
(CONNECTOR SIDE)

NOTES:

1. MATERIALS: HOUSING - LIQUID CRYSTAL POLYMER (LCP), BLACK, UL 94V-0  
TERMINALS - HIGH PERFORMANCE COPPER ALLOY
2. FINISH: SELECTIVE GOLD (Au) IN CONTACT AREA,  
SELECTIVE MATTE TIN (Sn) IN TAIL AREA,  
NICKEL (Ni) UNDERPLATE OVERALL.
3. MOLEX PRODUCT SPECIFICATION: PS-75710-999.
4. OPTIONAL GUIDE PIN SHOWN IN COPLANAR LOCATION.
5. THIS PART CONFORMS TO CLASS B REQUIREMENTS OF  
COSMETIC SPEC PS-45499-002.
6. PACKAGED PER PK-70873-588.
7. MAPS (MOLEX ADVANCED PLATING SYSTEM).



LOCATION OF GUIDE PIN  
FOR STANDARD COPLANAR

LOCATION OF GUIDE PIN  
FOR INVERTED APPLICATION

REV	DESCRIPTION	QUALITY SYMBOLS
G	ADD 50 GOLD EC NO: UCP2014-3112 DRWN:WOLFE 2014/01/29 CHKD:SYANG 2014/01/29 APPR:SWILLER 2014/02/11	▽=0 ▽=0 ▽=0

GENERAL TOLERANCES (UNLESS SPECIFIED)	
mm	INCH
4 PLACES ± ---	± ---
3 PLACES ± ---	± ---
2 PLACES ± 0.13	± ---
1 PLACE ± 0.25	± ---
0 PLACE ±	±
ANGULAR ± ---°	

DRAFT WHERE APPLICABLE  
MUST REMAIN  
WITHIN DIMENSIONS

DIMENSION STYLE MM ONLY	
DRAWN BY	DATE
ELO	2006/05/03
CHECKED BY	DATE
JLAURX	2006/05/04
APPROVED BY	DATE
CBIXLER	2006/05/05

SEE CHART

SCALE	DESIGN UNITS	THIRD ANGLE PROJECTION
4:1	METRIC	☉
I-TRAC 7-ROW RIGHT ANGLE MALE GUIDE RIGHT ASSEMBLY		
<b>molex</b>		
MATERIAL NO.	DOCUMENT NO.	SHEET NO.
SEE CHART	SD-76011-003	1 OF 3

THIS DRAWING CONTAINS INFORMATION THAT IS PROPRIETARY TO MOLEX  
INCORPORATED AND SHOULD NOT BE USED WITHOUT WRITTEN PERMISSION

7 6 0 1 1 - \* \* \* \*

MODULE TYPE - TAIL PLATING TYPE

GUIDE RIGHT - MATTE TIN (FORMERLY TIN/LEAD) = 4

GUIDE RIGHT - MATTE TIN = 5

GUIDE RIGHT, END WALL - MATTE TIN (FORMERLY TIN/LEAD) = 8

GUIDE RIGHT, END WALL - MATTE TIN = 9

# OF COLUMNS

4 = 4 COL

6 = 6 COL

1 = 10 COL

ORIENTATION  
GUIDE POST  
2 = COPLANAR  
3 = INVERTED

PIN LENGTH/PLATING

3 = 4.70 30 GOLD

5 = 4 X 3.80, 3 X 4.70 STAGGERED 30 GOLD

6 = 2 X 3.80, 5 X 4.70 STAGGERED 30 GOLD

7 = 4.70 10 GOLD (MAPS)

8 = 4 X 3.80, 3 X 4.70 STAGGERED 10 GOLD (MAPS)

9 = 2 X 3.80, 5 X 4.70 STAGGERED 10 GOLD (MAPS)

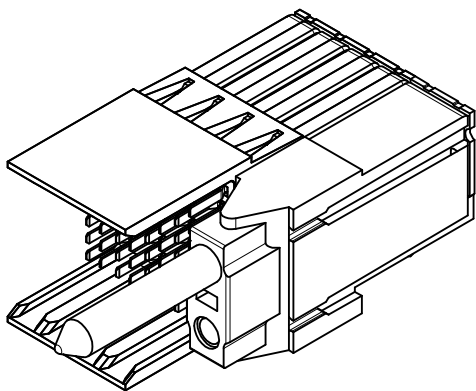
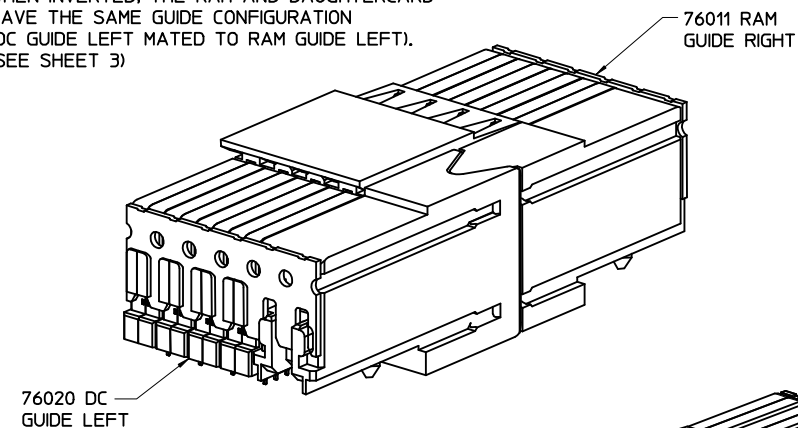
1 = 4.70 50 GOLD

2 = 4 X 3.80, 3 X 4.70 STAGGERED 50 GOLD

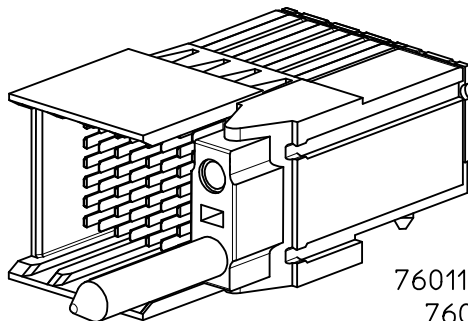
4 = 2 X 3.80, 5 X 4.70 STAGGERED 50 GOLD

**NOTE:**

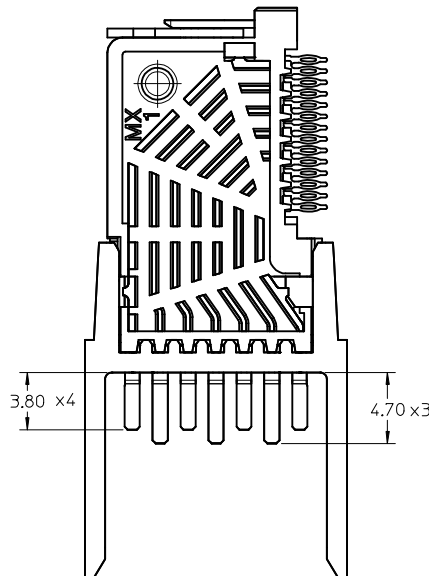
WHEN MATING RIGHT ANGLE MALE (RAM)  
TO A DAUGHTERCARD IN A COPLANAR APPLICATION,  
THE GUIDE CONFIGURATION IS OPPOSING  
(DC GUIDE LEFT MATED TO RAM GUIDE RIGHT).  
WHEN INVERTED, THE RAM AND DAUGHTERCARD  
HAVE THE SAME GUIDE CONFIGURATION  
(DC GUIDE LEFT MATED TO RAM GUIDE LEFT).  
(SEE SHEET 3)



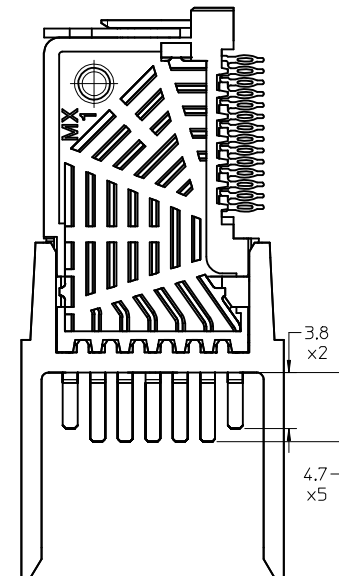
76011-4\*2\* or  
76011-5\*2\*  
GUIDE RIGHT, COPLANAR



76011-8\*3\* or  
76011-9\*3\*  
GUIDE RIGHT, END WALL,  
INVERTED



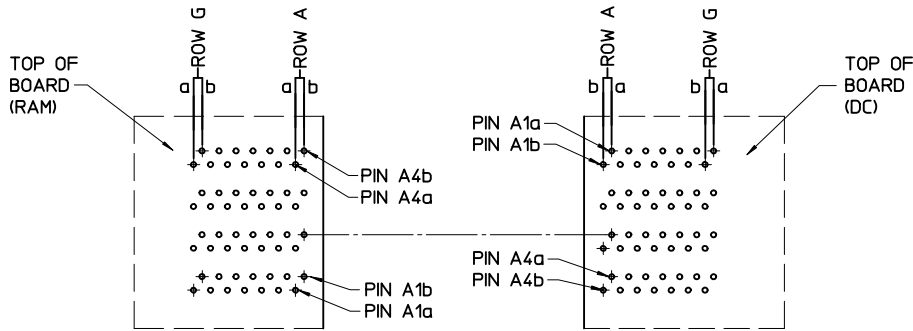
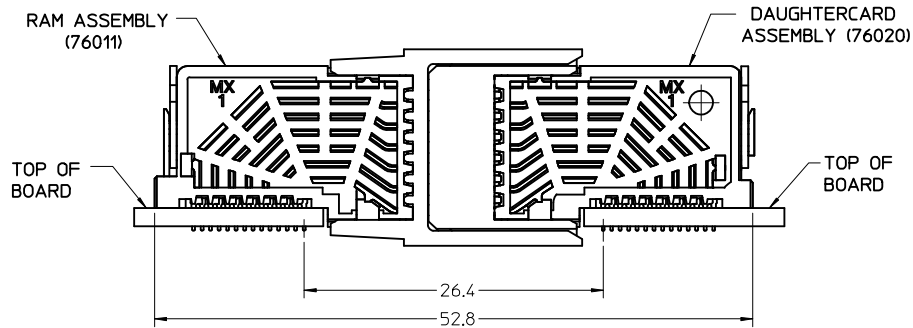
STAGGERED PIN OPTION  
(76011-\*\*\*5)  
(76011-\*\*\*8)



STAGGERED PIN OPTION  
(76011-\*\*\*6)  
(76011-\*\*\*9)

SEE SHEET 1 EC NO: UCP2014-3112 DRW: MWOLFE 2014/01/29 CHKD: SYANG 2014/01/29 APPR: SMILLER 2014/02/11	QUALITY SYMBOLS	GENERAL TOLERANCES (UNLESS SPECIFIED)	DIMENSION STYLE	SCALE	DESIGN UNITS	THIRD ANGLE PROJECTION
	▽=0	mm INCH	MM ONLY	3:1	METRIC	
	▽=0	4 PLACES ± --- ± ---	DRAWN BY DATE			
	▽=0	3 PLACES ± --- ± ---	ELO 2006/05/03			
	2 PLACES ± 0.13 ± ---	CHECKED BY DATE				I-TRAC 7-ROW RIGHT ANGLE MALE GUIDE RIGHT ASSEMBLY <b>molex</b>
	1 PLACE ± 0.25 ± ---	JLAURX 2006/05/04				
	0 PLACE ± ±	APPROVED BY DATE				DOCUMENT NO. SD-76011-003
	ANGULAR ± --- °	CBIXLER 2006/05/05				
		DRAFT WHERE APPLICABLE MUST REMAIN WITHIN DIMENSIONS	SEE CHART			SHEET NO. 2 OF 3
			THIS DRAWING CONTAINS INFORMATION THAT IS PROPRIETARY TO MOLEX INCORPORATED AND SHOULD NOT BE USED WITHOUT WRITTEN PERMISSION			

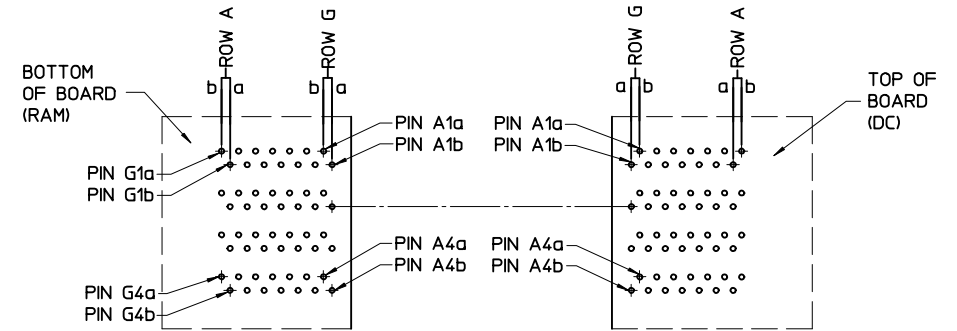
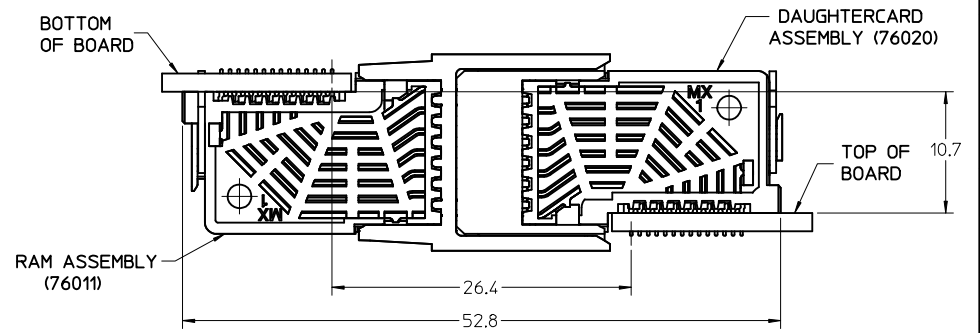
# COPLANAR APPLICATION



**COPLANAR MATED SIGNAL PATHS**

RAM PIN A4b.....	DC PIN A1a
RAM PIN A4a.....	DC PIN A1b
RAM PIN A1b.....	DC PIN A4a
RAM PIN A1a.....	DC PIN A4b

# INVERTED APPLICATION



**INVERTED MATED SIGNAL PATHS**

RAM PIN G1a.....	DC PIN A1a
RAM PIN G1b.....	DC PIN A1b
RAM PIN G4a.....	DC PIN A4a
RAM PIN G4b.....	DC PIN A4b

<b>SEE SHEET 1</b> EC NO: UCP2014-3112 DRWN: MWOLFE 2014/01/29 CHKD: SYANG 2014/01/29 APPR: SMILLER 2014/02/11	QUALITY SYMBOLS 	GENERAL TOLERANCES (UNLESS SPECIFIED) <table border="1"> <thead> <tr> <th></th> <th>mm</th> <th>INCH</th> </tr> </thead> <tbody> <tr> <td>4 PLACES</td> <td>± 0.25</td> <td>± 0.010</td> </tr> <tr> <td>3 PLACES</td> <td>± 0.25</td> <td>± 0.010</td> </tr> <tr> <td>2 PLACES</td> <td>± 0.13</td> <td>± 0.005</td> </tr> <tr> <td>1 PLACE</td> <td>± 0.25</td> <td>± 0.010</td> </tr> <tr> <td>0 PLACE</td> <td>±</td> <td>±</td> </tr> </tbody> </table>		mm	INCH	4 PLACES	± 0.25	± 0.010	3 PLACES	± 0.25	± 0.010	2 PLACES	± 0.13	± 0.005	1 PLACE	± 0.25	± 0.010	0 PLACE	±	±	DIMENSION STYLE <b>MM ONLY</b> DRAWN BY DATE ELO 2006/05/03 CHECKED BY DATE JLAURX 2006/05/04 APPROVED BY DATE CBIXLER 2006/05/05	SCALE <b>2:1</b> DESIGN UNITS <b>METRIC</b> THIRD ANGLE PROJECTION	TITLE <b>I-TRAC 7-ROW                  RIGHT ANGLE MALE                  GUIDE RIGHT ASSEMBLY</b> <b>molex</b>	DOCUMENT NO. <b>SD-76011-003</b>	SHEET NO. <b>3 OF 3</b>
		mm	INCH																						
	4 PLACES	± 0.25	± 0.010																						
	3 PLACES	± 0.25	± 0.010																						
2 PLACES	± 0.13	± 0.005																							
1 PLACE	± 0.25	± 0.010																							
0 PLACE	±	±																							
DRAFT WHERE APPLICABLE MUST REMAIN WITHIN DIMENSIONS		MATERIAL NO. <b>SEE CHART</b>	THIS DRAWING CONTAINS INFORMATION THAT IS PROPRIETARY TO MOLEX. INCORPORATED AND SHOULD NOT BE USED WITHOUT WRITTEN PERMISSION																						