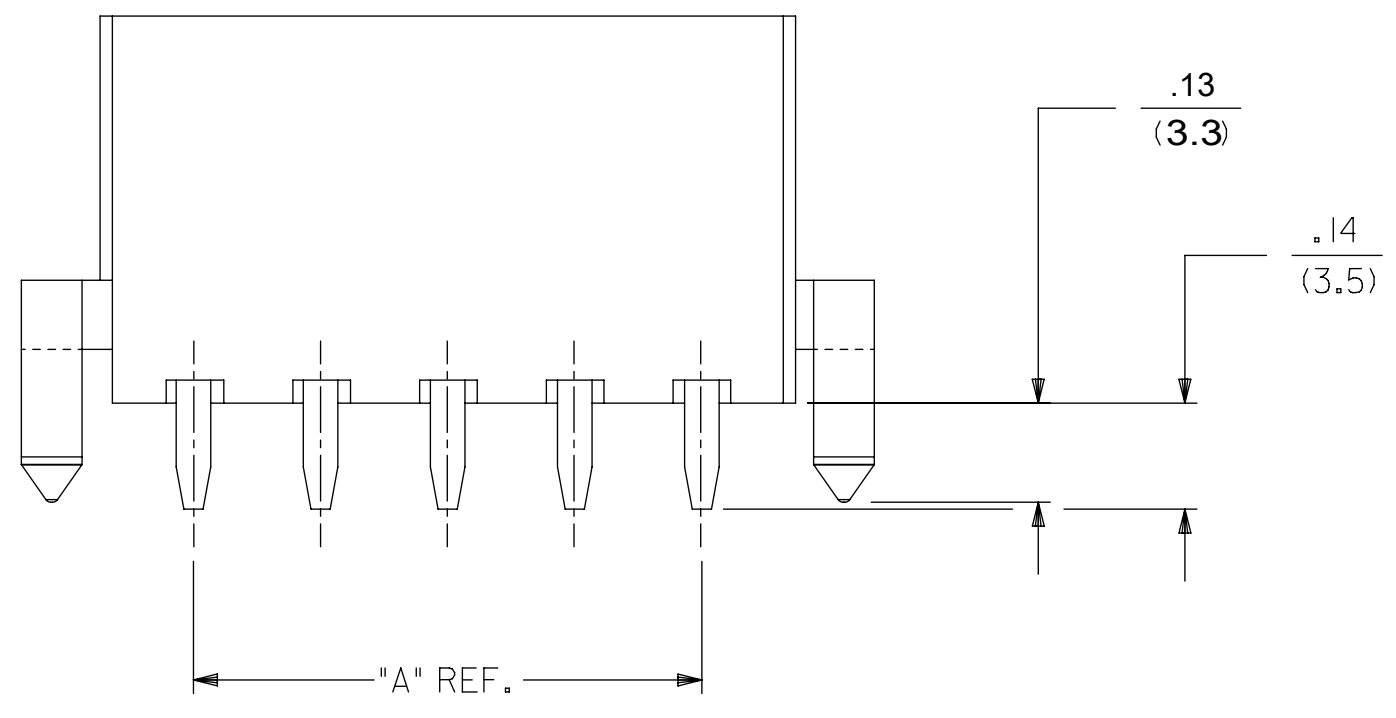
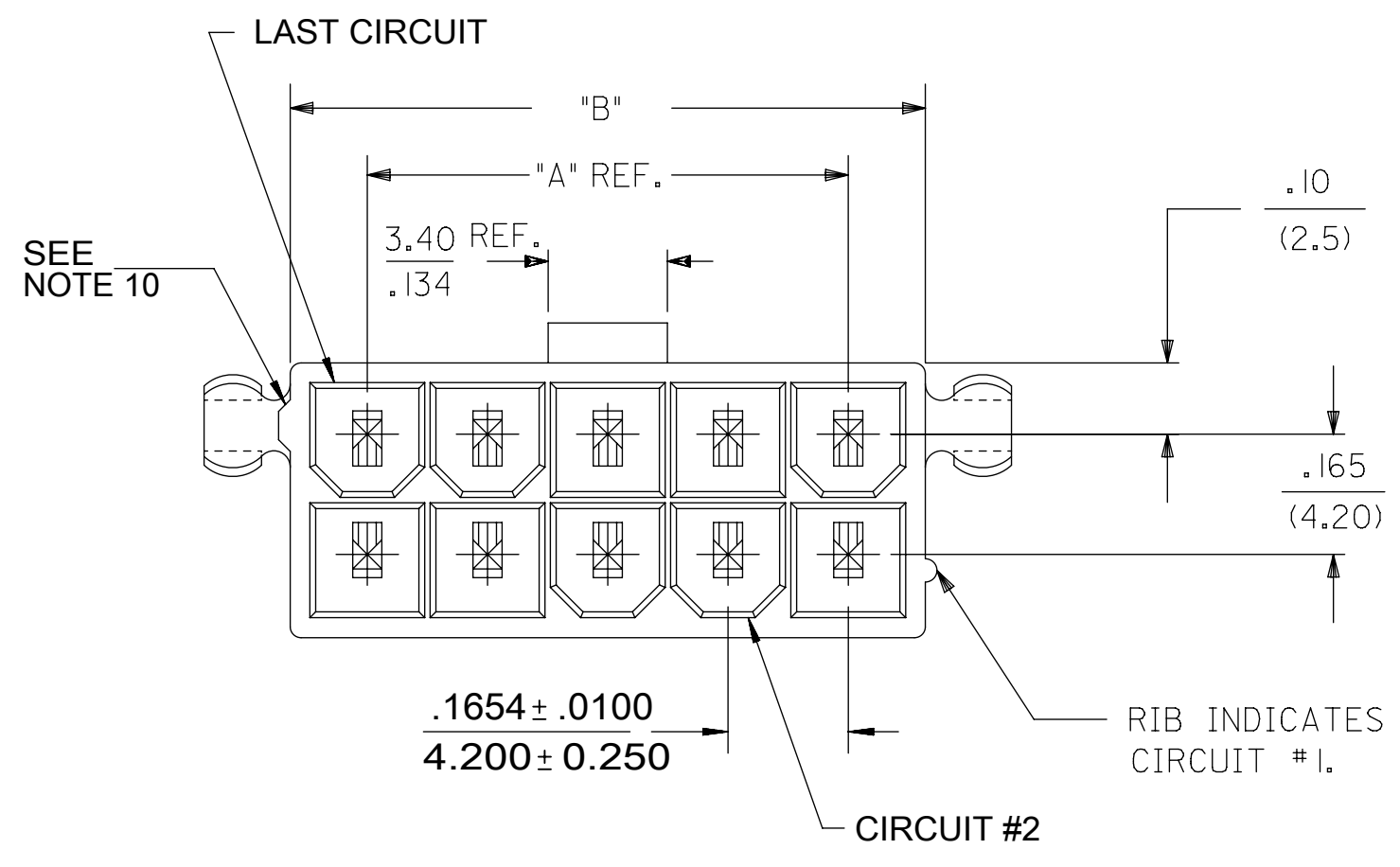


CIRCUIT SIZE	DIM. "A"	DIM. "B"	DIM. "C"
2	—	.21 (5.4)	.370 (9.40)
4	.17 (4.2)	.38 (9.6)	.535 (13.60)
6	.33 (8.4)	.54 (13.8)	.701 (17.80)
8	.50 (12.6)	.71 (18.0)	.866 (22.00)
10	.66 (16.8)	.87 (22.2)	1.031 (26.20)
12	.83 (21.0)	1.04 (26.4)	1.197 (30.40)
14	.99 (25.2)	1.20 (30.6)	1.362 (34.60)
16	1.16 (29.4)	1.37 (34.8)	1.528 (38.80)
18	1.32 (33.6)	1.54 (39.0)	1.693 (43.00)
20	1.49 (37.8)	1.70 (43.2)	1.858 (47.20)
22	1.65 (42.0)	1.87 (47.4)	2.024 (51.40)
24	1.82 (46.2)	2.03 (51.6)	2.189 (55.60)



- NOTES:
- HOUSING MATERIAL:  
V-2 = NYLON 6/6, UNFILLED U.L. 94V-2, COLOR: NATURAL  
V-0 = NYLON 6/6, UNFILLED U.L. 94V-0, COLOR: NATURAL  
TERMINAL MATERIAL: COPPER ALLOY.
  - TERMINAL PLATING:  
TIN = .000100/(.00254) MIN. MATTE TIN OVER .000050/(.00127) MIN. NICKEL OVERALL  
GOLD = .000030/(.00080) MIN. SELECT GOLD, .000100/(.00254) MIN. MATTE TIN OVER .000050/(.00127) MIN. NICKEL OVERALL
  - PRODUCT SPECIFICATION:  
TRAY : PS-45750-001  
T&R : 55660000-RPK
  - PACKAGING SPECIFICATION: PK-5566-001.
  - PART MATES WITH MINI-FIT RECEPTACLE NO. 5557
  - PART ARE NOT TO BE MATED OR UN-MATED WHILE CIRCUITS ARE LIVE
  - PARTS TO HAVE "HCS+" MARKING
  - PART CONFORMS TO CLASS B OF COSMETIC SPECIFICATION PS-45499-002 WITH THE EXCEPTION OF DISCOLORATION, FLASH, AND SINK MEET CLASS "C" REQUIREMENTS.
  - PART IS NOT DESIGNED FOR CURRENT SHARING.
  - ANTI-SHINGLING RIB MAY OR MAY NOT APPEAR ON HOUSINGS.
  - LOCATION OF .118/3.00 DIAMETER HOLES ON P.C. BOARD IS FOR OPTIONAL PEGS.
  - TEXT ON PART IS FOR REFERENCE ONLY. TEXT AND TEXT LOCATION MAY VARY DEPENDING ON PART NUMBER AND/OR TOOL.

<b>QUALITY SYMBOLS</b> 	THIS DRAWING CONTAINS INFORMATION THAT IS PROPRIETARY TO MOLEX ELECTRONIC TECHNOLOGIES, LLC AND SHOULD NOT BE USED WITHOUT WRITTEN PERMISSION		<b>GENERAL TOLERANCES (UNLESS SPECIFIED)</b> DIMENSION UNITS: IN/MM SCALE: 4:1		  <b>VERTICAL HEADER ASSEMBLY DUAL ROW MINI-FIT PLUS HCS SERIES</b>  <b>PRODUCT CUSTOMER DRAWING</b>	
	2021/09/02 2021/09/08 2021/09/08	DRWN: HPANT18 CHK'D: YXZHENG APPR: YXZHENG	DRWN BY: TGREGORI DATE: 2006/04/27	DATE: 2006/04/27		MATERIAL NUMBER: 46015 SEE CHART
	EC NO: 676792 DRWN: HPANT18 CHK'D: YXZHENG APPR: YXZHENG		CHK'D BY: JCOMERCI DATE: 2010/04/09	CUSTOMER: GENERAL MARKET		
	ANGULAR TOL = 0.5 DRAFT WHERE APPLICABLE MUST REMAIN WITHIN DIMENSIONS		DRAWING SIZE: C THIRD ANGLE PROJECTION	DOCUMENT NUMBER: SD-46015-001 DOC TYPE: PSD DOC PART: 000 SHEET NUMBER: 1 OF 2		

ITEM NO.	CKT. SIZE	HOUSING MATERIAL	PEGS	PLATING	PACKAGING
46015-0202	2	V-0	NO	TIN	TRAY
46015-0203			YES		
46015-0206		V-2	NO		
46015-0207			YES		
46015-0209	V-0	YES	GOLD		
46015-0212		NO			
46015-0402	4	V-0	NO	TIN	
46015-0403			YES		
46015-0406		V-2	NO		
46015-0407			YES		
46015-0409	V-0	YES	GOLD		
46015-0412		NO			
46015-0602	6	V-0	NO	TIN	
46015-0603			YES		
46015-0606		V-2	NO		
46015-0607			YES		
46015-0609	V-0	YES	GOLD		
46015-0612		NO			
46015-0802	8	V-0	NO	TIN	
46015-0803			YES		
46015-0806		V-2	NO		
46015-0807			YES		
46015-0809	V-0	YES	GOLD		
46015-0812		NO			
46015-1002	10	V-0	NO	TIN	
46015-1003			YES		
46015-1006		V-2	NO		
46015-1007			YES		
46015-1009	V-0	YES	GOLD		
46015-1012		NO			
46015-1202	12	V-0	NO	TIN	
46015-1203			YES		
46015-1206		V-2	NO		
46015-1207			YES		
46015-1209	V-0	YES	GOLD		
46015-1212		NO			

ITEM NO.	CKT. SIZE	HOUSING MATERIAL	PEGS	PLATING	PACKAGE
46015-0820	8	V-0	NO	GOLD	T&R

ITEM NO.	CKT SIZE	HOUSING MATERIAL	PEGS	PLATING	PACKAGING	
46015-1402	14	V-0	NO	TIN	TRAY	
46015-1403			YES			
46015-1406			V-2			NO
46015-1407		YES				
46015-1409		V-0				YES
46015-1412			NO			
46015-1602	16	V-0	NO	TIN		
46015-1603			YES			
46015-1606			V-2			NO
46015-1607		YES				
46015-1609		V-0				YES
46015-1612			NO			
46015-1802	18	V-0	NO	TIN		
46015-1803			YES			
46015-1806			V-2			NO
46015-1807		YES				
46015-1809		V-0				YES
46015-1812			NO			
46015-2002	20	V-0	NO	TIN		
46015-2003			YES			
46015-2006			V-2			NO
46015-2007		YES				
46015-2009		V-0				YES
46015-2012			NO			
46015-2202	22	V-0	NO	TIN		
46015-2203			YES			
46015-2206			V-2		NO	
46015-2207		YES				
46015-2209		V-0			YES	GOLD
46015-2212			NO			
46015-2402	24	V-0	NO	TIN		
46015-2403			YES			
46015-2406			V-2		NO	
46015-2407		YES				
46015-2409		V-0			YES	GOLD
46015-2412			NO			

RELEASE STATUS	P1	RELEASE DATE	2021/09/08	04:36:59
12		11		10

<b>QUALITY SYMBOLS</b> 	THIS DRAWING CONTAINS INFORMATION THAT IS PROPRIETARY TO MOLEX ELECTRONIC TECHNOLOGIES, LLC AND SHOULD NOT BE USED WITHOUT WRITTEN PERMISSION												
	EC NO: 676792 DRWN: HPAN18 CHKD: YXZHENG APPR: YXZHENG	<b>GENERAL TOLERANCES (UNLESS SPECIFIED)</b> MM    INCH				<b>DIMENSION UNITS</b> IN/MM		<b>SCALE</b> 4:1					
		4 PLACES ±		±		DRWN BY: TGREGORI    DATE: 2006/04/27							
		3 PLACES ±		±		CHK'D BY: JCOMERCI    DATE:				<b>VERTICAL HEADER ASSEMBLY DUAL ROW MINI-FIT PLUS HCS SERIES</b>			
		2 PLACES ± 0.25		±		APPR BY: FSMITH    DATE: 2010/04/09							
	1 PLACES ± 0.5		±		DRAWING SIZE: C    THIRD ANGLE PROJECTION				<b>PRODUCT CUSTOMER DRAWING</b>				
	0 PLACES ±		±		ANGULAR TOL = 0.5				SERIES: 46015    MATERIAL NUMBER: SEE CHART    CUSTOMER: GENERAL MARKET				
	DRAFT WHERE APPLICABLE MUST REMAIN WITHIN DIMENSIONS								DOCUMENT NUMBER: SD-46015-001    DOC TYPE: PSD    DOC PART: 000    SHEET NUMBER: 2 OF 2				