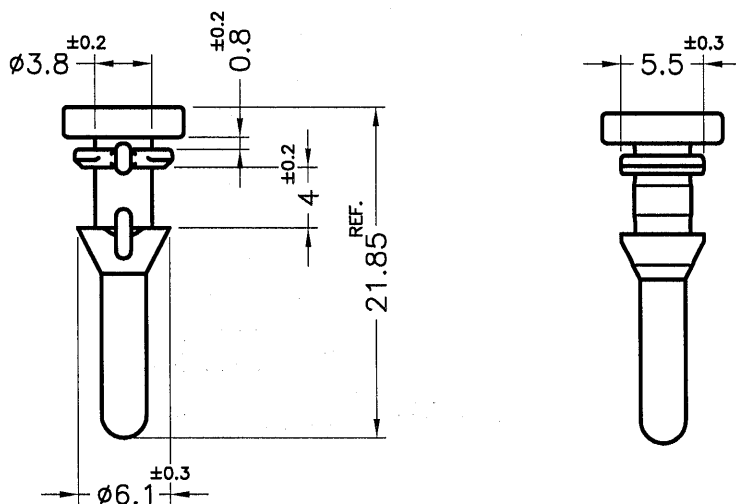
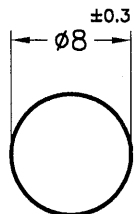


REVISIONS			
REV	DESCRIPTION	DATE	BY



MOUNTING HOLE  $\phi 4.4 \sim \phi 4.5$ mm  
 CHASSIS THICKNESS 0.8mm

PART NO.	HARDNESS
BUB-182G(B)	45°±10
BUB-182H(B)	55°±10

NOTE:MADE OF EQUIVALENT MATERIAL.  
 可使用同等材質.

<p>康揚企業股份有限公司          KANG YANG HARDWARE ENTERPRISE CO., LTD.          康揚塑膠(東莞)有限公司          KANG YANG PLASTIC(DONG GUAN )CO.,LTD.          康哲電腦配件(吳江)有限公司          KANG CHE COMPUTER COMPONENTS(WUJIANG) CO.,LTD.</p>		TITLE	FAN SNAP RIVET	SPEC. DWG.			
		MATERIAL	TPE	DATE	2015.10.02		
		HARDNESS	SEE ABOVE	DRAWN	M.F		
		COLOR	BLACK	CHECK			
PART NUMBER	SEE ABOVE	DRAWING NUMBER	BUB-182	UNLESS OTHERWISE SPECIFIED TOLERANCE	SEE ABOVE	APPROVED	
SIZE	A4	SCALE	2:1	UNIT	mm	REV	A