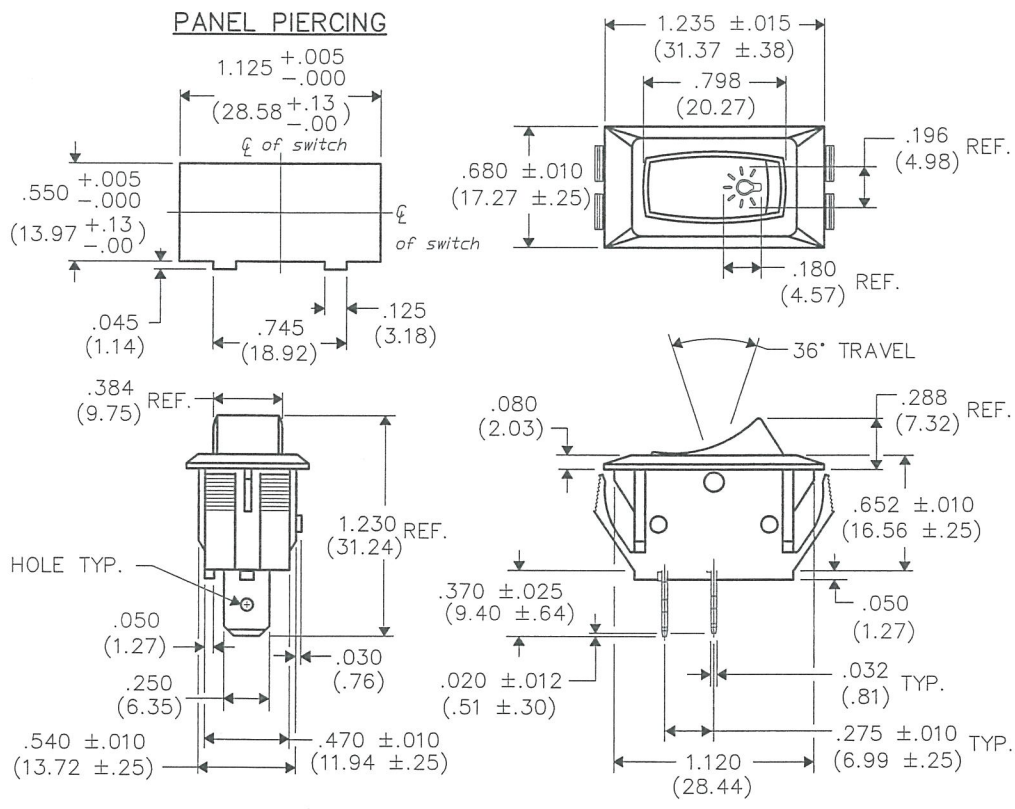


THIS INFORMATION IS CONFIDENTIAL AND PROPRIETARY TO CW INDUSTRIES, INCORPORATED AND ITS AFFILIATES. IT MAY NOT BE DISCLOSED TO ANYONE, OTHER THAN CW INDUSTRIES PERSONNEL, WITHOUT WRITTEN AUTHORIZATION FROM CW INDUSTRIES INCORPORATED, SOUTHAMPTON, PENNSYLVANIA USA.

DIMENSIONS IN INCHES (MILLIMETERS)
DO NOT SCALE DRAWING

Dwg. No.
GRSH-2011-2017

E
D
C
B
A



SWITCH COLOR - Beige
LEGEND COLOR - Gray

SWITCH RATINGS:
UL & CSA
8A. 125VAC
4A. 250VAC

FORM-B4	REVISIONS	RELEASED: DGW 7-01-13 JUL 19 2013	1	2	3	4	5	6	7	8	9	10
---------	-----------	---	---	---	---	---	---	---	---	---	---	----

CW INDUSTRIES
Southampton, Pa. 18966

TOLERANCES UNLESS OTHERWISE SPECIFIED

2 Place Decimal \pm .010	METRIC
3 Place Decimal \pm .005	1 Place Dec. \pm .25mm
Angles \pm 1'	2 Place Dec. \pm .13mm

Made for: CW IND.
Drawn by: DGW 7-01-13
Checked by: G. Guld 7-2-13
Approval: G. Guld 7-2-13

Title: **ROCKER ASSEMBLY
S.P.S.T., POLARIZED
1.125"x .550" PANEL**

Division: **SWITCH**

Dwg. No. **GRSH-2011-2017**

MASTER