

## EH Series

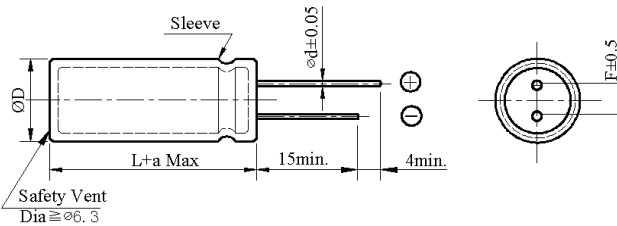
- Low impedance and High ripple current.
- Load life 3,000~4,000 hours at 105°C



### ◆ SPECIFICATIONS

Item	Performance Characteristics												
Category Temperature Range	-55~+105°C												
Working Voltage Range	10 ~ 35Vdc												
Capacitance Range	150 ~820 µF												
Capacitance Tolerance	±20% (at 25°C and 120Hz)												
Dissipation Factor (tanδ) (at 25°C, 120Hz)	<table border="1"> <tr> <td>Rated Voltage (V)</td> <td>10</td> <td>16</td> <td>25</td> <td>35</td> </tr> <tr> <td>tanδ(Max)</td> <td>0.19</td> <td>0.16</td> <td>0.14</td> <td>0.12</td> </tr> </table>	Rated Voltage (V)	10	16	25	35	tanδ(Max)	0.19	0.16	0.14	0.12		
	Rated Voltage (V)	10	16	25	35								
tanδ(Max)	0.19	0.16	0.14	0.12									
The above values should be increased by 0.02 for every additional 1000µF													
Leakage Current	I=0.01CV or 3µA whichever is greater I : Leakage current (µA) C : Rated capacitance (µF) V : Rated voltage (V) Impress the rated voltage for 2 minutes												
Low Temperature Characteristics Impedance Ratio(MAX)	<table border="1"> <tr> <td>Rated voltage (V)</td> <td>10</td> <td>16</td> <td>25</td> <td>35</td> </tr> <tr> <td>Z(-55°C)/Z(+20°C)</td> <td>3</td> <td>3</td> <td>3</td> <td>3</td> </tr> </table>	Rated voltage (V)	10	16	25	35	Z(-55°C)/Z(+20°C)	3	3	3	3		
	Rated voltage (V)	10	16	25	35								
Z(-55°C)/Z(+20°C)	3	3	3	3									
(at 120Hz)													
Endurance	The following requirements shall be satisfied when the capacitor are restored to 25°C after the rated voltage applied for 3,000 to 4,000 hours at 105°C.												
	<table border="1"> <tr> <td>Capacitance change</td> <td>≅ ±25% of the initial value</td> <td>Size</td> <td>Life time (hours)</td> </tr> <tr> <td>Dissipation factor(tanδ)</td> <td>≅ 200% of the specified value</td> <td>10Φ</td> <td>3,000</td> </tr> <tr> <td>Leakage current</td> <td>≅ specified value</td> <td>12.5Φ</td> <td>4,000</td> </tr> </table>	Capacitance change	≅ ±25% of the initial value	Size	Life time (hours)	Dissipation factor(tanδ)	≅ 200% of the specified value	10Φ	3,000	Leakage current	≅ specified value	12.5Φ	4,000
	Capacitance change	≅ ±25% of the initial value	Size	Life time (hours)									
	Dissipation factor(tanδ)	≅ 200% of the specified value	10Φ	3,000									
Leakage current	≅ specified value	12.5Φ	4,000										
Shelf Life	The following requirements shall be satisfied when the capacitor are restored to 25°C after exposing them for 1,000 hours at 105°C without voltage applied.												
	<table border="1"> <tr> <td>Capacitance change</td> <td>≅ ±25% of the initial value</td> </tr> <tr> <td>Dissipation factor(tanδ)</td> <td>≅ 200% of the specified value</td> </tr> <tr> <td>Leakage current</td> <td>≅ 200% of the specified value</td> </tr> </table>	Capacitance change	≅ ±25% of the initial value	Dissipation factor(tanδ)	≅ 200% of the specified value	Leakage current	≅ 200% of the specified value						
	Capacitance change	≅ ±25% of the initial value											
	Dissipation factor(tanδ)	≅ 200% of the specified value											
Leakage current	≅ 200% of the specified value												
Others	Conforms to JIS-C-5101-4 (1998), characteristic W												

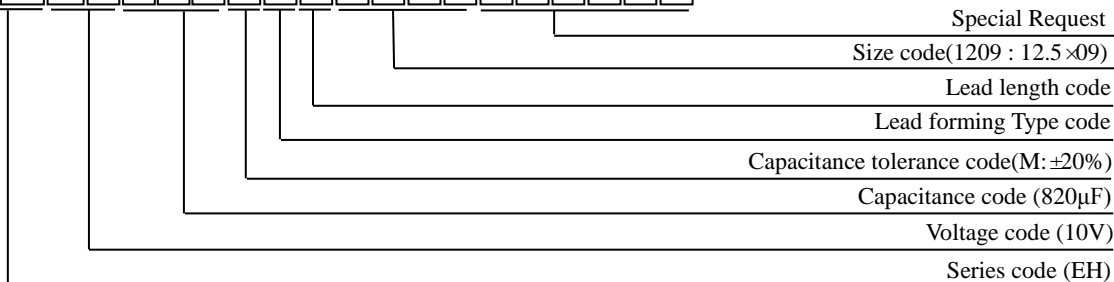
### ◆ DIMENSIONS (mm)



ΦD	10×9	12.5×9
ΦD	ΦD + 0.5 Max	
Φd	0.6	0.6
F	5.0	5.0
a	L + 1.0 Max	

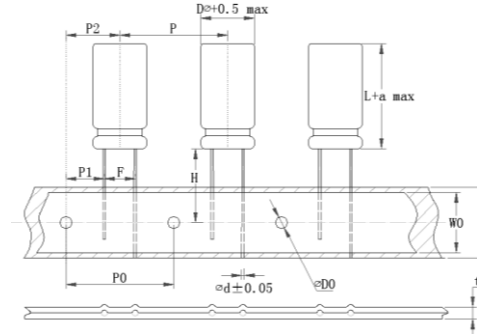
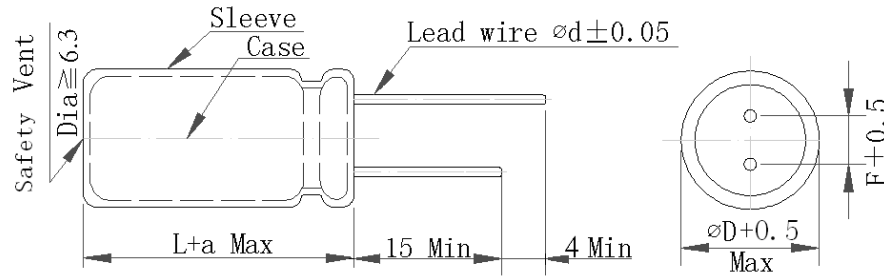
### ◆ PART NUMBER SYSTEM( Example : 10V 820 µF )

E H I A 8 2 1 M N N 1 2 0 9



## Aluminum Electrolytic Capacitor

Customer	Digi-Key	SERIES	EH	NO.:	PUBLISH DATE	2022-03-25
----------	----------	--------	----	------	--------------	------------



Unit (mm)

P=12.7±1.0	H=18.5±0.5
P0=12.7±0.2	W=18.0±0.5
P1=3.85±0.5	W0=12.5MIN
P2=6.35±1.0	ΦD0=4.0+0.2
F=5.0+0.8/-0.2	t=0.7±0.2

**Original**

**FIG-1**

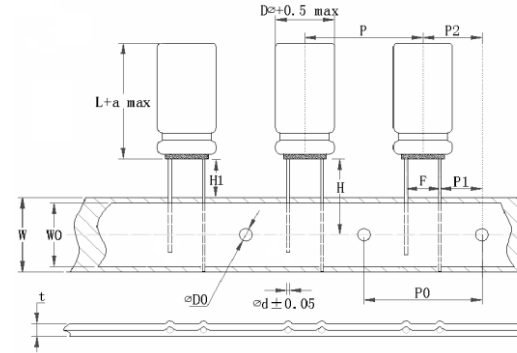
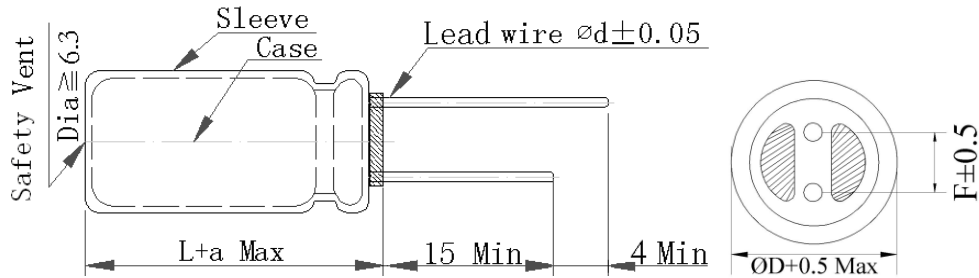
No.	CHINSAN Part No.	Customer Part No.	Capacitance (uF)	Tolerance On rated Capacitance (%)	Working Voltage (Vdc)	Surge Voltage (Vdc)	Category Temp Range (°C)	Tanδ @ 25°C (120Hz) (Max)	Leakage Current (uA) (2 min.)	Rated Ripple Current (mA rms) @ 105°C 100kHz	ESR @25°C (mΩ max/ 120Hz)	Impedance @20°C (mΩ max/ 100kHz)	Endurance @ 105°C (Hours)	Dimensions (mm)					Appearance Drawing No
														DΦ	L	a	d	F	
1	EH1V101MP51009	/	100 μF	±20%	35 V	/	-55~+105	/	/	550	/	500	3000	10	9	/	/	5	FIG-1

※Test leakage current before testing dissipation factor and capacitance during the electric characteristic test.

REMARKS:	APPROVED BY	CHECKED BY	PREPARED BY
Sleeve Color: Brown.	张洪斌	曾爱娥	梁慧妍

## Aluminum Electrolytic Capacitor

Customer	Digi-Key	SERIES	EH	NO.:	PUBLISH DATE	2022-03-25
----------	----------	--------	----	------	--------------	------------



Unit (mm):

P=12.7±1.0	H=18.5±0.5
P0=12.7±0.2	W=18.0±0.5
P1=3.85±0.5	W0=12.5MIN
P2=6.35±1.0	ΦD0=4.0±0.2
F=5.0+0.8/-0.2	t=0.7±0.2
H1=9.5±1.0	

**Original**

**FIG-1**

No.	CHINSAN Part No.	Customer Part No.	Capacitance (uF)	Tolerance On rated Capacitance (%)	Working Voltage (Vdc)	Surge Voltage (Vdc)	Category Temp Range (°C)	Tanδ @ 25°C (120Hz) (Max)	Leakage Current (uA) (2 min.)	Rated Ripple Current (mA rms) @ 105°C 100kHz	ESR @25°C (mΩ max/ 120Hz)	Impedance @20°C (mΩ max/ 100kHz)	Endurance @ 105°C (Hours)	Dimensions (mm)					Appearance Drawing No
														DΦ	L	a	d	F	
1	EH2A330MP51009F4U	/	33 μF	±20%	100 V	/	-55~+105	/	/	724	/	700	4000	10	9	/	/	5	FIG-1

※Test leakage current before testing dissipation factor and capacitance during the electric characteristic test.

REMARKS:	APPROVED BY	CHECKED BY	PREPARED BY
1.Sleeve Color: Brown. 2.Suffix F4 indicates the life of the capacitor is 4000 hrs. 4.Suffix U indicates convex rubber cover.	张洪斌	曾爱娥	梁慧妍