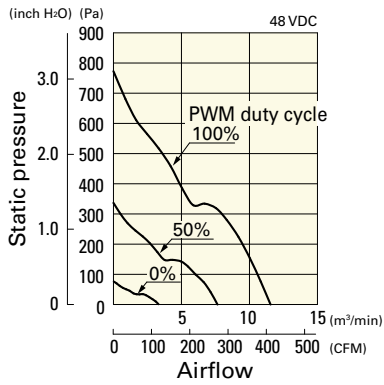




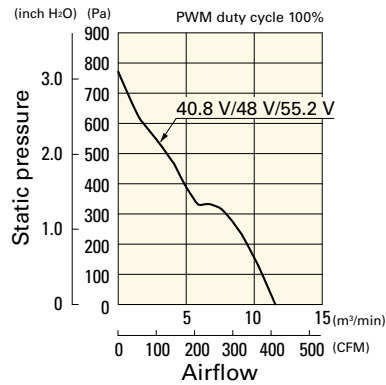
## Airflow - Static Pressure Characteristics / PWM Duty - Speed Characteristics Example

**9WG5748P5H001** With pulse sensor with PWM control function

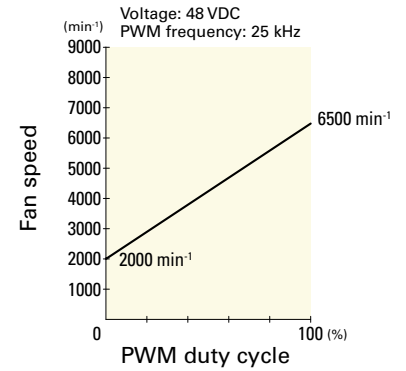
PWM duty cycle



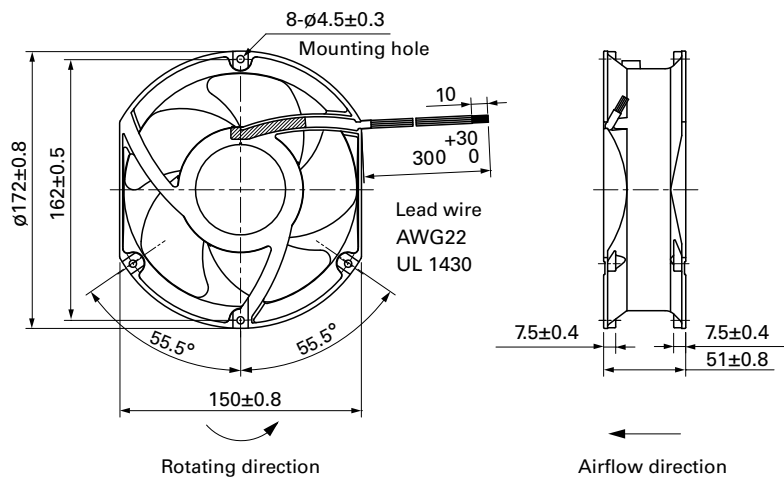
Operating voltage range



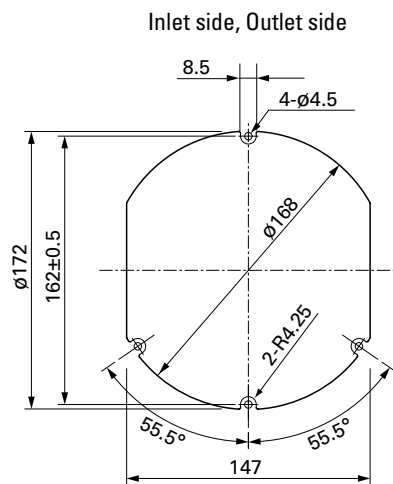
PWM duty - Speed characteristics example



## Dimensions (unit: mm)



## Reference Dimensions of Mounting Holes and Vent Opening (unit: mm)



## Options

Finger guards

page: p. 534

Model no.: 109-319J, 109-319E, 109-319H, 109-320

DC  
Splash Proof Fan  $\phi 172$  mm