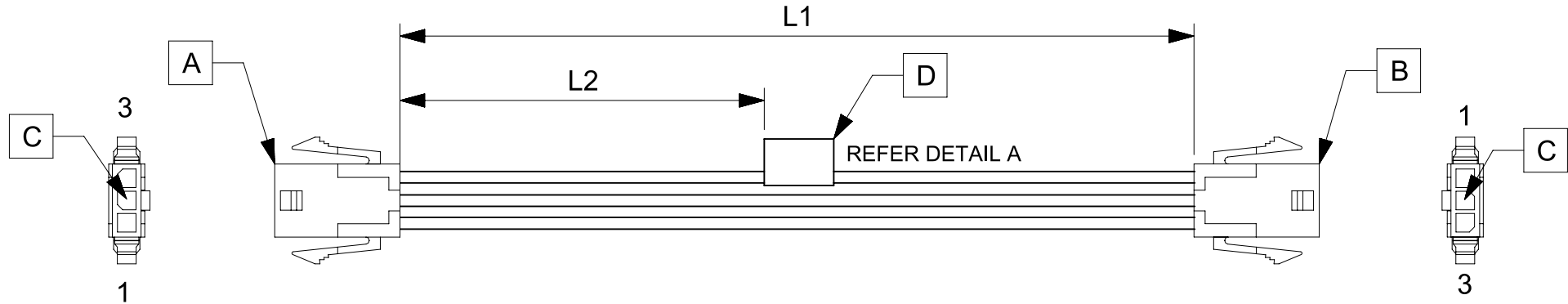


| ITEM | PART# | DESCRIPTION | QTY | UOM |
|------|-----------|--|-----|-----|
| A,B | 436400300 | MicroFit 3.0 Plug SR Pnl Mnt 3Ckt | 2 | PC |
| C | 430310023 | MICROFIT 3.0 M CRP TERM CHN 30AU 18AWG | 6 | PC |
| D | -- | PAPER PRINTED PAPER WHITE | 1 | PC |

| FROM | TO | DESCRIPTION | COLOR |
|------|----|--------------------------------|-------|
| A1 | B3 | 1X18AWG DISC SR-PVC BK UL10002 | BLACK |
| A2 | B2 | 1X18AWG DISC SR-PVC BK UL10002 | BLACK |
| A3 | B1 | 1X18AWG DISC SR-PVC BK UL10002 | BLACK |



| TABLE | | | |
|-------------|--------|---------|------------------------------------|
| PART NUMBER | L1 | L2 | TITLE |
| 2147522031 | 150±8 | 63 REF | MICROFIT 3.0 SR P-P 3CKT 150 MM Au |
| 2147522032 | 300±10 | 138 REF | MICROFIT 3.0 SR P-P 3CKT 300 MM Au |
| 2147522033 | 600±10 | 288 REF | MICROFIT 3.0 SR P-P 3CKT 600 MM Au |

NOTES

1. Cable assembly must pass 100% continuity and polarity test.
2. Connector view shown is from mating side.
3. Label text must be 2mm max. in height with Arial font.
4. Label must be wrapped in Flag type on a single cable.

MOLEX P/N
MOLEX
BATCH WK/YR
DETAIL A

| REVISION | | | |
|------------|-----|-----------------|---------|
| DATE | REV | DESCRIPTION | CHANGER |
| 2020/02/29 | A | INITIAL RELEASE | ARAJU |

| FUNCTIONAL SYMBOLS | THIS DRAWING CONTAINS INFORMATION THAT IS PROPRIETARY TO MOLEX ELECTRONIC TECHNOLOGIES, LLC AND SHOULD NOT BE USED WITHOUT WRITTEN PERMISSION | |
|--|---|----------------------------|
| DIMENSION UNITS | SCALE | CURRENT REV DESC: |
| $\frac{E}{A} = 0$ | mm | NTS |
| $\frac{E}{E} = 0$ | GENERAL TOLERANCES (UNLESS SPECIFIED) | |
| $\frac{E}{P} = 0$ | ANGULAR TOL ± ° | |
| DIVISIONAL SYMBOLS | 4 PLACES ± | EC NO: 637489 |
| | 3 PLACES ± | DRWN: ARAJU 2020/03/02 |
| | 2 PLACES ± | CHK'D: RDESAI01 2020/05/14 |
| | 1 PLACE ± | APPR: RDESAI01 2020/05/14 |
| | 0 PLACES ± | INITIAL REVISION: |
| | | DRWN: ARAJU 2020/03/02 |
| | | APPR: RDESAI01 2020/05/14 |
| DRAFT WHERE APPLICABLE MUST REMAIN WITHIN DIMENSIONS | THIRD ANGLE PROJECTION | DRAWING |
| | | SERIES |
| | | MATERIAL NUMBER |
| | | CUSTOMER |
| | | SHEET NUMBER |

molex

SEE TABLE

PRODUCT CUSTOMER DRAWING

| | | | |
|-----------------|----------|----------|----------|
| DOCUMENT NUMBER | DOC TYPE | DOC PART | REVISION |
| 2147522031 | PSD | 000 | A |

| | | | | |
|-----------------|----|--------------|------------|----------|
| DOCUMENT STATUS | P1 | RELEASE DATE | 2020/05/14 | 03:37:09 |
|-----------------|----|--------------|------------|----------|