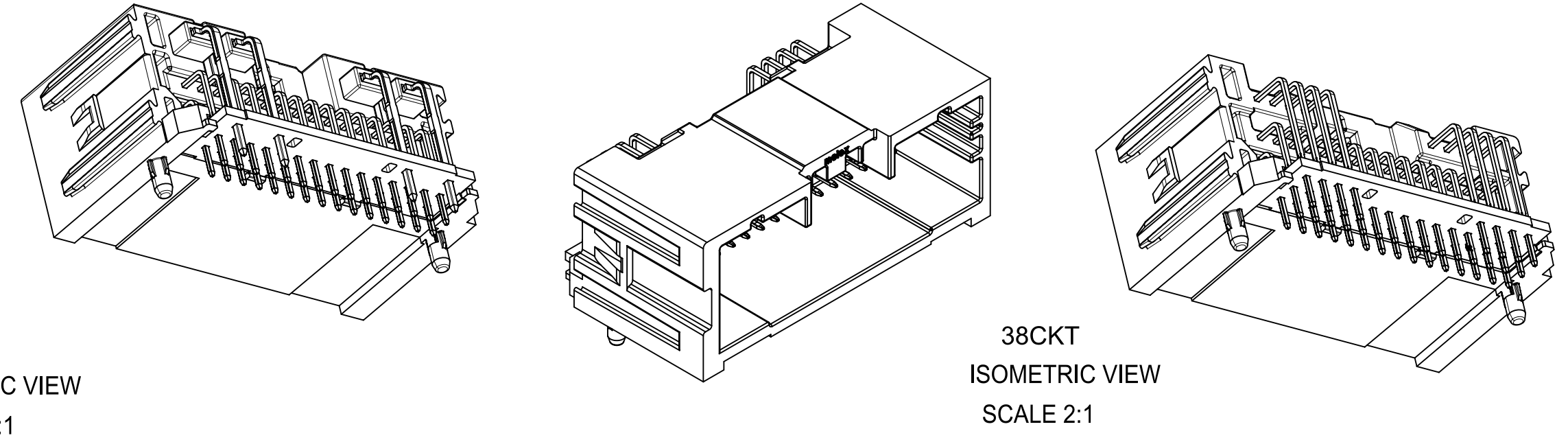
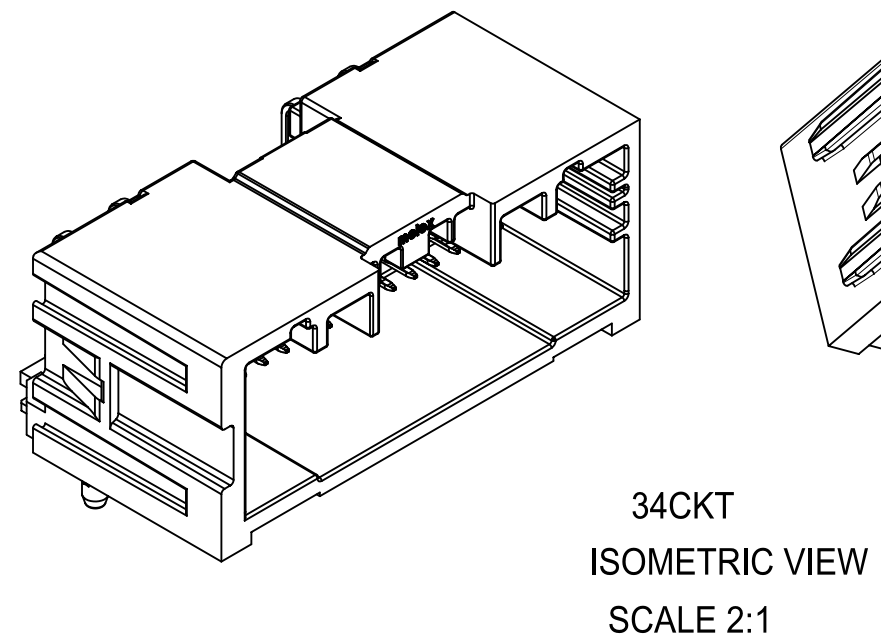


TABLE OF CONTENTS	
SHEET NO.	SHEET DESCRIPTION
1	NOTES, INSPECTION BALLOON NUMBER LOG, NOMINAL DIMENSION RANGE LIST, REV.COLUMN, HEADER ASSEMBLY LIST, ISOMETRIC VIEW
2	34&38CKT POLARIZATION OPTION VIEW, HB/V0 HEADER DIFFERENCE VIEW
3	PIN INSERTION DIRECTION VIEW PAP HOLE SHAPE VIEW
4	DETAIL DIMENSION VIEW
5	DETAIL DIMENSION VIEW
6	REFERENCE PCB LAYOUT



NOTES: VALID UNLESS OTHERWISE SPECIFIED
1. GENERAL:
a. CONNECTOR HEADER MUST BE VALIDATED TO THE FOLLOWING FUNCTIONAL REQUIREMENTS:
HB VALIDATION SPECIFICATION: GMW3191 JUNE 2012
V0 VALIDATION SPECIFICATION: USCAR-2 REV6
SOLDERABILITY: SMES-152

b. APPLICATION SPECIFICATION: AS-34959-001
TEST SUMMARY:
HB: TS-34961-001
V0: 2133550000-TS
PRODUCT SPECIFICATION:
HB: PS-34959-001
V0: 2133550000-PS
COSMETIC SPECIFICATION: PS-45499-002 Class B
GEOMETRIC TOLERANCING: SEE DIN 16901 TABLE
MATES WITH: SD-34959-030
PACKAGING SPECIFICATION: SEE TABLE.

2. DESIGN: MATERIALS:
a. SHROUD (PLASTIC HOUSING):
HB RESIN - SPS
V0 RESIN - SPS

b. PIN ALIGNMENT PLATE:
HB RESIN - SPS
V0 RESIN - SPS

c. 0.50MM BLADES:
BASE MATERIAL: BRASS
PLATING TYPE: AS NOTED

d. 1.20MM BLADES:
BASE MATERIAL: BRASS
PLATING TYPE: AS NOTED

3. PLATING REQUIREMENTS:

a. UNDERPLATING - OVERALL NICKEL

b. OVERPLATING - OVERALL REFLOWED TIN

4. CROSS-HATCHED AREAS MAKE CONTACT WITH PCB

MINI50 34/38CKT RIGHT ANGLE HEADER ASSEMBLY LIST

TRAY PACKAGING PK-31302-070	MATERIAL NUMBER			CKT SIZE	PIN INSERTION DIRCTION	PAP HOLE SHAPE	FLAMMABILITY UL94	POLARIZATION	COLOR	STATUS
	TUBE PACKAGING PK-31301-688	TAPE AND REEL PK-47799-0001								
34961-0340	34961-7340	34961-8340	34	PCB TO MATING	ROUND	HB		A	BLACK	OBSOLETED
34961-0341	34961-7341	34961-8341	34	PCB TO MATING	ROUND	HB		B	GREY	OBSOLETED
34961-0342	34961-7342	34961-8342	34	PCB TO MATING	ROUND	HB		C	DK GREY	OBSOLETED
34961-0380	34961-7380	34961-8380	38	PCB TO MATING	ROUND	HB		A	BLACK	OBSOLETED
34961-0381	34961-7381	34961-8381	38	PCB TO MATING	ROUND	HB		B	GREY	OBSOLETED
34961-0382	34961-7382	34961-8382	38	PCB TO MATING	ROUND	HB		C	DK GREY	OBSOLETED
34961-0383	34961-7383	34961-8383	38	PCB TO MATING	ROUND	HB		UPDATED A	BLACK	OBSOLETED
34961-0384	34961-7384	34961-8384	38	PCB TO MATING	ROUND	HB		UPDATED B	GREY	OBSOLETED
34961-0385	34961-7385	34961-8385	38	PCB TO MATING	ROUND	HB		UPDATED C	DK GREY	OBSOLETED
34961-0343	34961-7343	34961-8343	34	MATING TO PCB	SQUARE	HB		A	BLACK	SALEABLE
34961-0344	34961-7344	34961-8344	34	MATING TO PCB	SQUARE	HB		B	GREY	SALEABLE
34961-0345	34961-7345	34961-8345	34	MATING TO PCB	SQUARE	HB		C	DK GREY	SALEABLE
34961-0386	34961-7386	34961-8386	38	MATING TO PCB	SQUARE	HB		UPDATED A	BLACK	SALEABLE
34961-0387	34961-7387	34961-8387	38	MATING TO PCB	SQUARE	HB		UPDATED B	GREY	SALEABLE
34961-0388	34961-7388	34961-8388	38	MATING TO PCB	SQUARE	HB		UPDATED C	DK GREY	SALEABLE
2133550340	2133557340	2133558340	34	PCB TO MATING	ROUND	V0		A	BLACK	OBSOLETED
2133550341	2133557341	2133558341	34	PCB TO MATING	ROUND	V0		B	GREY	OBSOLETED
2133550342	2133557342	2133558342	34	PCB TO MATING	ROUND	V0		C	DK GREY	OBSOLETED
2133550380	2133557380	2133558380	38	PCB TO MATING	ROUND	V0		UPDATED A	BLACK	OBSOLETED
2133550381	2133557381	2133558381	38	PCB TO MATING	ROUND	V0		UPDATED B	GREY	OBSOLETED
2133550382	2133557382	2133558382	38	PCB TO MATING	ROUND	V0		UPDATED C	DK GREY	OBSOLETED
2133550343	2133557343	2133558343	34	MATING TO PCB	SQUARE	V0		A	BLACK	SALEABLE
2133550344	2133557344	2133558344	34	MATING TO PCB	SQUARE	V0		B	GREY	SALEABLE
2133550345	2133557345	2133558345	34	MATING TO PCB	SQUARE	V0		C	DK GREY	SALEABLE
2133550383	2133557383	2133558383	38	MATING TO PCB	SQUARE	V0		UPDATED A	BLACK	SALEABLE
2133550384	2133557384	2133558384	38	MATING TO PCB	SQUARE	V0		UPDATED B	GREY	SALEABLE
2133550385	2133557385	2133558385	38	MATING TO PCB	SQUARE	V0		UPDATED C	DK GREY	SALEABLE

K1	SHEET 1: UPDATED PRODUCT STATUS IN ASSEMBLY LIST TABLE SHEET 2: UPDATED 38CKT UPDATED KEY B & KEY C VIEWS	CO-000002963
K	SHEET 5: ADDED DIM28 TO DIM37 ALL SHEET: UPDATED PRODUCT VIEWS	CO-000000686
J6	CREATED NEW REVISION TO UPLOAD DRAWING IN MDS SYSTEM	CO-000000910
J5	SHEET 1: ADDED NEW PART NUMBER IN TABLE SHEET 1: ADDED NOTE 4 SHEET 3: ADDED SHEET TO SHOW PIN INSERTION DIRECTION VIEW AND PAP HOLE SHAPE VIEW	CO-000000910
J4	SHEET 3: UPDATED BALLOON NUMBER	668374
J3	1. SHEET 1: UPDATED NOTES INFORMATION 2. SHEET 3: ADDED "BEFORE SOLDERING" NOTE TO DIM 3 3. SHEET 3: ADDED DIM 3A	663659
J2	1. SHEET 1: UPDATED NOTES INFORMATION 2. SHEET 1: UPDATED V0 PRODUCT STATUS 3. SHEET 4: DIM 3: 10.77±0.18 WAS 10.77(+0.13/-0.08) 4. SHEET 5: REMOVED BALLOON NUMBER FOR DIMENSION OF PCB LAYOUT	658910
J1	1. UPDATED BELOW PART NUMBER STATUS TO OBSOLETED: 34961-0380, 34961-7380, 34961-8380 34961-0381, 34961-7381, 34961-8381 34961-0382, 34961-7382, 34961-8382 2. UPDATED BELOW V0 PART NUMBER STATUS TO SALEABLE: 2133550340, 2133557340, 2133558340 3. ADDED V0 VALIDATION SPECIFICATION & V0 PRODUCT SPECIFICATION INFORMATION IN NOTES	631858
J	1. ADDED V0 NEW PART NUMBER IN SHEET 1: 2133550340, 2133550341, 2133550342, 2133550380, 2133550381, 2133550382 2133557340, 2133557341, 2133557342, 2133557380, 2133557381, 2133557382 2133558340, 2133558341, 2133558342, 2133558380, 2133558381, 2133558382 2. ADDED SHEET 2 TO SHOW 34&38CKT POLARIZATION OPTION & HB / V0 VERSION DIFFERENCE 3. ADDED V0 PLASTIC MATERIAL INFORMATION IN NOTES	626237
H1	1. UPDATED NEWEST VIEW OF THE POLARIZATION OPTION UPDATED A & B C. 2. ADDED DIM1A, DIM 3A, DIM 6A, DIM 7A. 3. UPDATED PRODUCT STATUS. 4. UPDATED DIM 26: 0.4±0.03 WAS 0.4±0.10	609559
H	ADDED THE FOLLOW ITEMS TO CUSTOMER DRAWING: 1. ADDED DATUM F, DATUM G AND DATUM H, SEE SHEET 2 AND SHEET 3. 2. ADDED NEW UPWARD VIEW FOR 38WAY HEADER ASSEM, SEE SHEET 2. 3. ADDED NEW VIEW SECTION X-X, SECTION Y-Y, SECTION Z-Z AND SECTION W-W, SEE SHEET 3.	10904363
G	ADDED NEW VIEW OF UPDATED POL A & B C, SEE SHEET 1. ADDED NEW P/N: 34961-0383 \ 34961-0384 \ 34961-0385 \ 34961-7383 \ 34961-7384 \ 34961-7385 \ 34961-8383 \ 34961-8384 \ 34961-8385 IN THE BOM ON SHEET 1. ADDED PRODUCT STATUS IN BOM.	10885609
REV	REV DESCRIPTION	ECN SAP NO.

INSPECTION BALLOON NUMBER LOG
PER DRAWING REVISION: K1
LAST BALLOON NUMBER USED: 37
ADDED BALLOON NUMBERS:
REMOVED BALLOON NUMBERS:

DIN 16901	CODE LETTER	NOMINAL DIMENSION RANGE														
		OVER UP TO	0	1	3	6	10	15	22	30	40	53	70	90	120	
PRECISION ENGINEERING	A		±0.10	±0.12	±0.14	±0.16	±0.20	±0.22	±0.24	±0.26	±0.28	±0.31	±0.35	±0.40	±0.50	
	B		±0.05	±0.06	±0.07	±0.08	±0.10	±0.12	±0.14	±0.16	±0.18	±0.21	±0.25	±0.30	±0.40	
A: FOR NON-MOLD RELATED DIMENSIONS (ACROSS PARTING LINE)																
B: FOR MOLD RELATED DIMENSIONS (WITHIN MOLD COMPONENTS)																

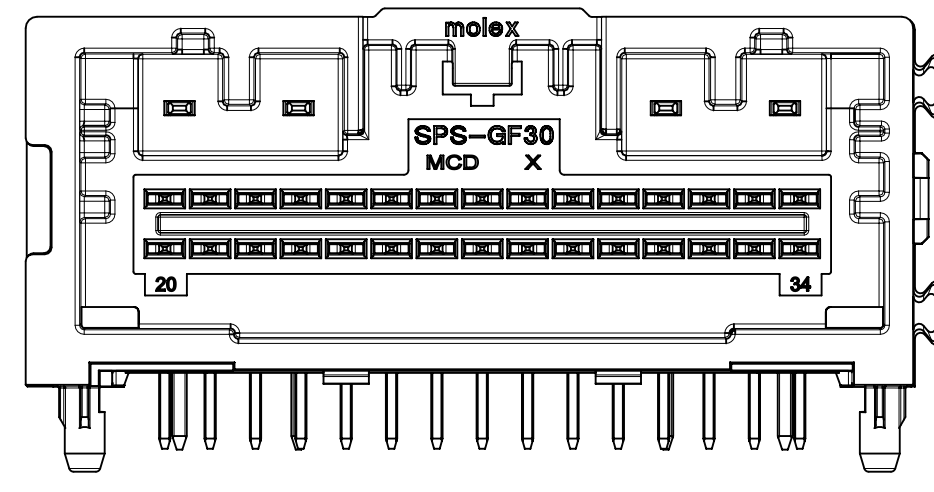
FUNCTIONAL SYMBOLS	THIS DRAWING CONTAINS INFORMATION THAT IS PROPRIETARY TO MOLEX ELECTRONIC TECHNOLOGIES, LLC AND SHOULD NOT BE USED WITHOUT WRITTEN PERMISSION		CURRENT REV DESC: REFER TO REVISION COLUMN	
	FA = 0	mm	SCALE	2:1
DIVISIONAL SYMBOLS	FC = 0	GENERAL TOLERANCES (UNLESS SPECIFIED)		
	FD = 0	ANGULAR TOL ± 0.5°		
DIVISIONAL SYMBOLS	4 PLACES	±	STATUS: Production DRWN: Shanks Wu CHK'D: Ringo Hu APPR: Ringo Hu	2023-04-03 2023-05-19
	3 PLACES	±		
	2 PLACES	±		
	1 PLACE	±		
	0 PLACES	±		
DRAFT WHERE APPLICABLE MUST REMAIN WITHIN DIMENSIONS		THIRD ANGLE PROJECTION	DRAWING	SERIES
		D-SIZE	34961	
		MATERIAL NUMBER	CUSTOMER	SHEET NUMBER
		SD-34961-030	GENERAL MARKET	1 OF 6
		DOCUMENT NUMBER	DOC TYPE DOC PART REVISION	
		PSD	001	K1



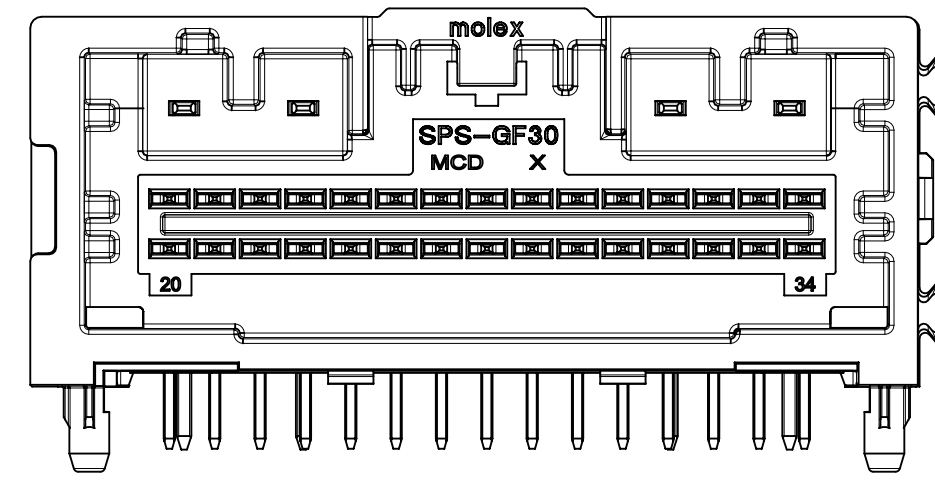
34 & 38CKT MINI50
RIGHT ANGLE HEADER ASSEMBLY SALES DRAWING

PRODUCT SALES DRAWING

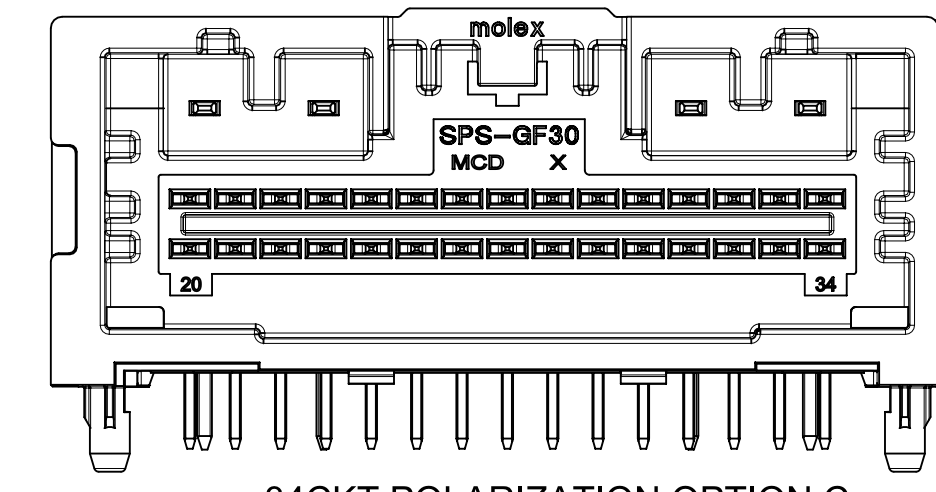
TABLE OF CONTENTS	
SHEET NO.	SHEET DESCRIPTION
2	34&38CKT POLARIZATION OPTION VIEW HB/V0 HEADER DIFFERENCE VIEW



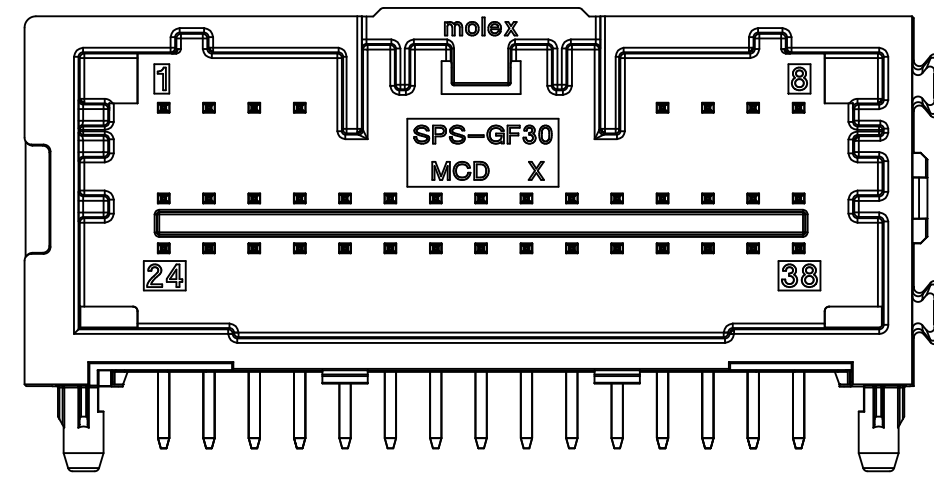
34CKT POLARIZATION OPTION A



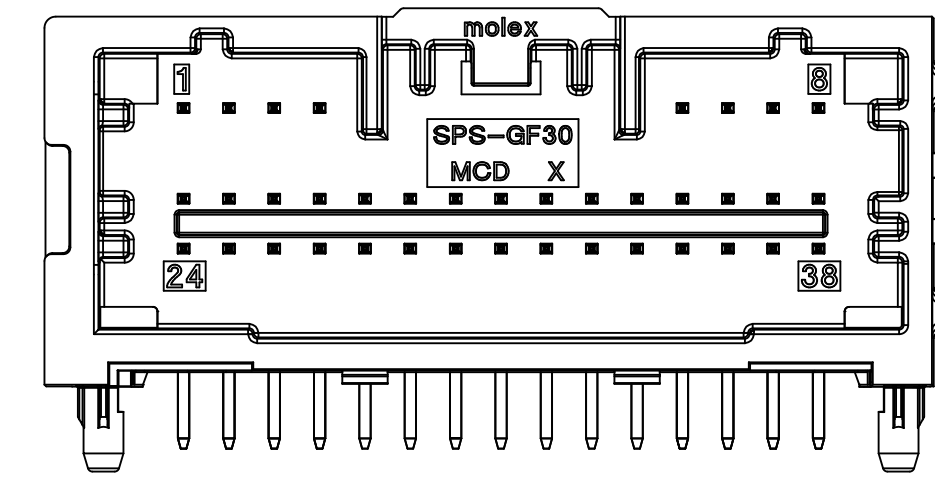
34CKT POLARIZATION OPTION B



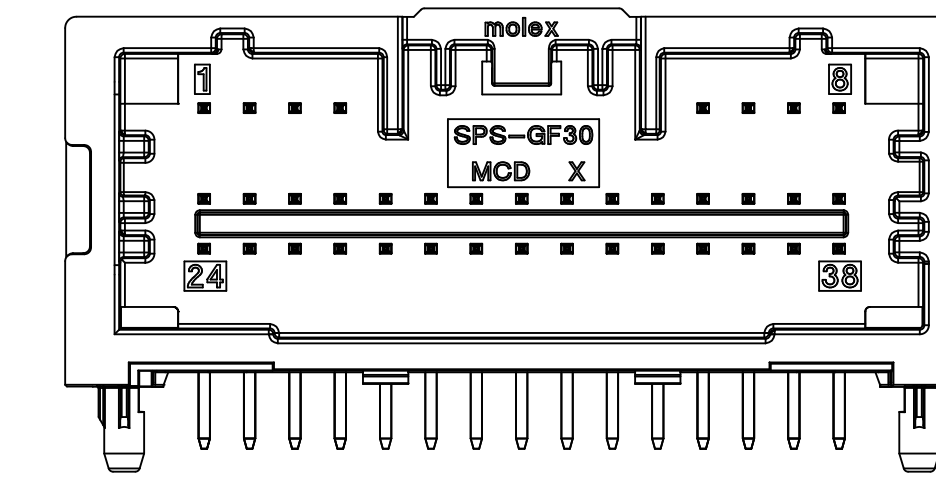
34CKT POLARIZATION OPTION C



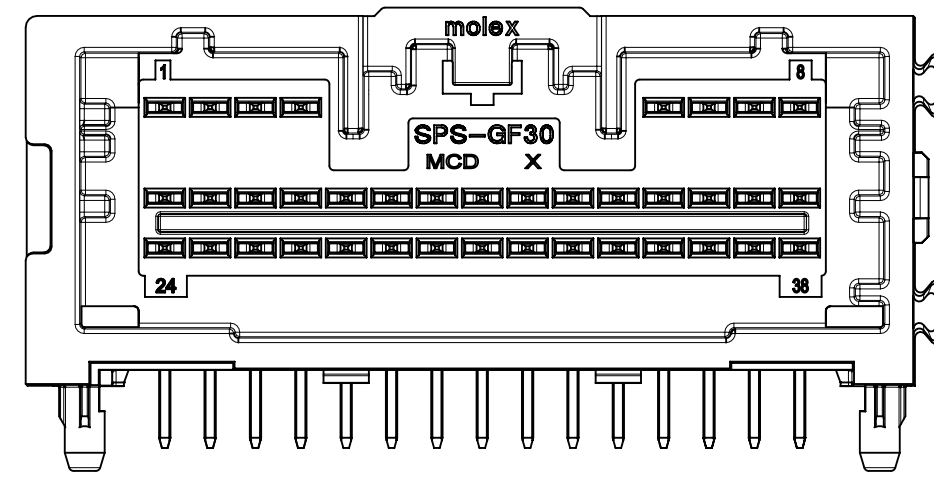
38CKT POLARIZATION OPTION A
(OBSOLETE)



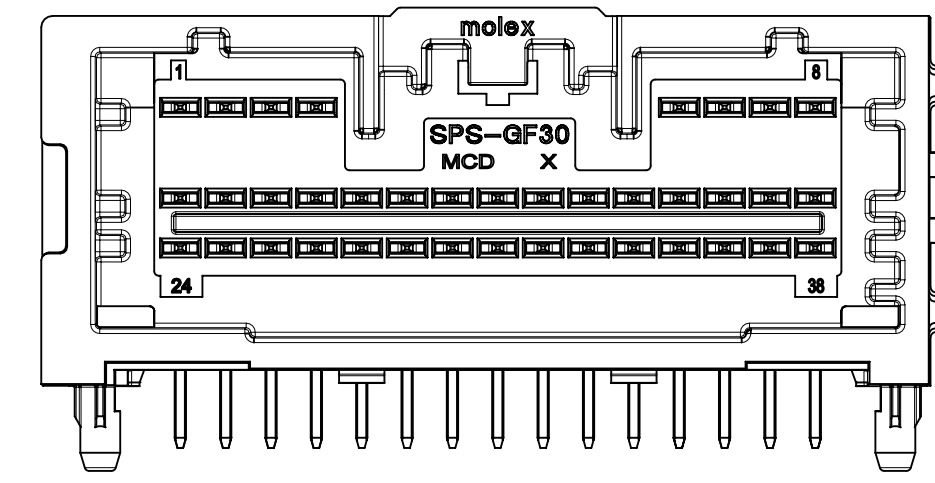
38CKT POLARIZATION OPTION B
(OBSOLETE)



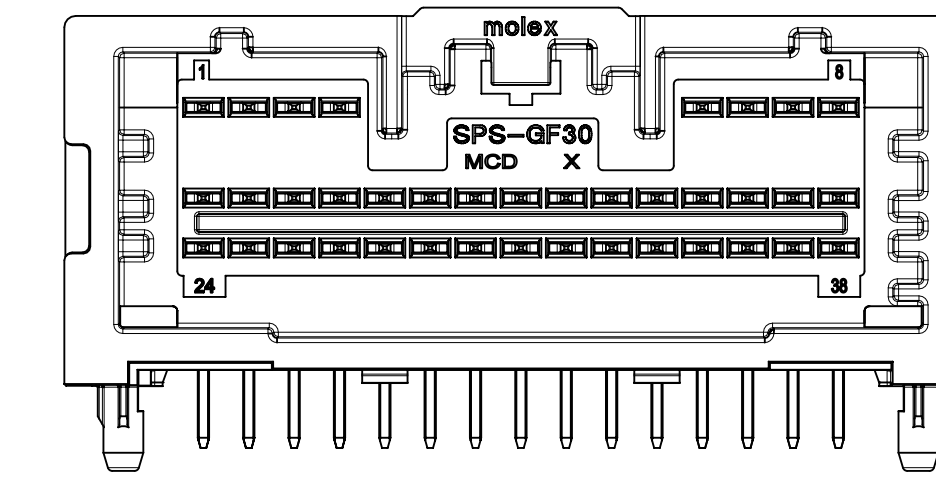
38CKT POLARIZATION OPTION C
(OBSOLETE)



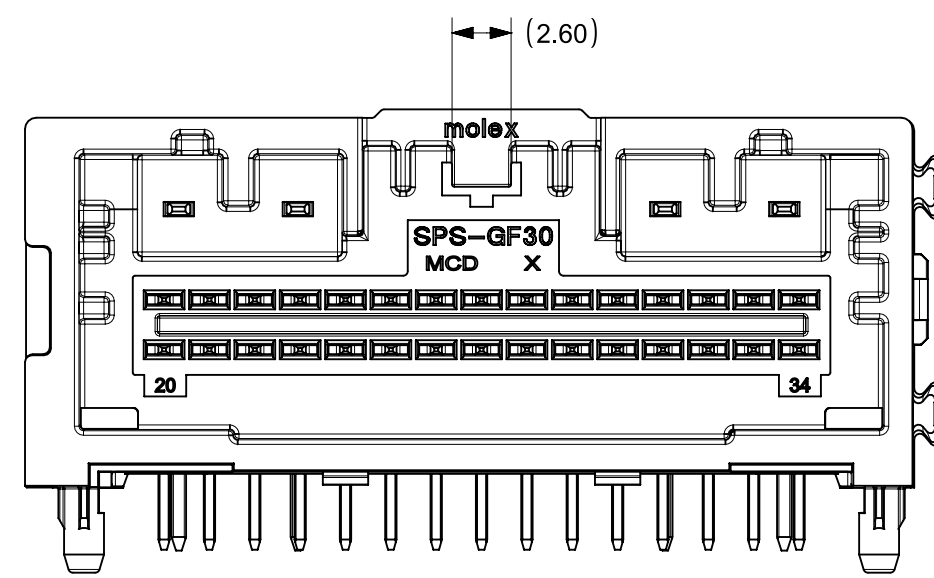
38CKT POLARIZATION OPTION UPDATED A



38CKT POLARIZATION OPTION UPDATED B

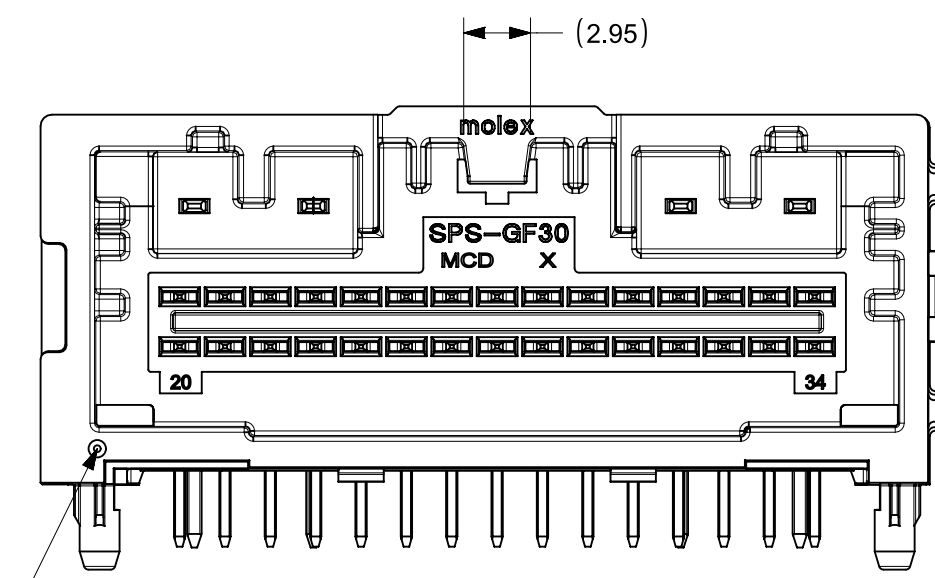


38CKT POLARIZATION OPTION UPDATED C



HB P/Ns: 34961XXXX
APPLIES TO ALL CKT SIZES, USE 34CKT AS SHOWN

HB / V0 VERSION DIFFERENCE



V0 P/Ns: 213355XXXX
APPLIES TO ALL CKT SIZES, USE 34CKT AS SHOWN

DEPRESSION FEATURE ADDED TO V0 PART TO DISTINGUISH FROM HB PART

HOLE FEATURE ADDED TO V0 PART TO DISTINGUISH FROM HB PART

FUNCTIONAL SYMBOLS $F_A = 0$ $F_C = 0$ $F_D = 0$	THIS DRAWING CONTAINS INFORMATION THAT IS PROPRIETARY TO MOLEX ELECTRONIC TECHNOLOGIES, LLC AND SHOULD NOT BE USED WITHOUT WRITTEN PERMISSION		CURRENT REV DESC: REFER TO REVISION COLUMN	
	DIMENSION UNITS	SCALE		
	mm	3:1		
	GENERAL TOLERANCES (UNLESS SPECIFIED)			
ANGULAR TOL		± 0.5°		
4 PLACES		±		
3 PLACES		±		
2 PLACES		±		
1 PLACE		±		
0 PLACES		±		
DRAFT WHERE APPLICABLE MUST REMAIN WITHIN DIMENSIONS		THIRD ANGLE PROJECTION	DRAWING	SERIES
			D-SIZE	34961
		STATUS: Production		2023-04-03
		DRWN: Shanks Wu		2023-05-19
		CHK'D: Ringo Hu		
		APPR: Ringo Hu		
		DOCUMENT NUMBER		DOC TYPE DOC PART REVISION
		SD-34961-030		PSD 001 K1
		MATERIAL NUMBER		CUSTOMER
		GENERAL MARKET		SHEET NUMBER
				2 OF 6

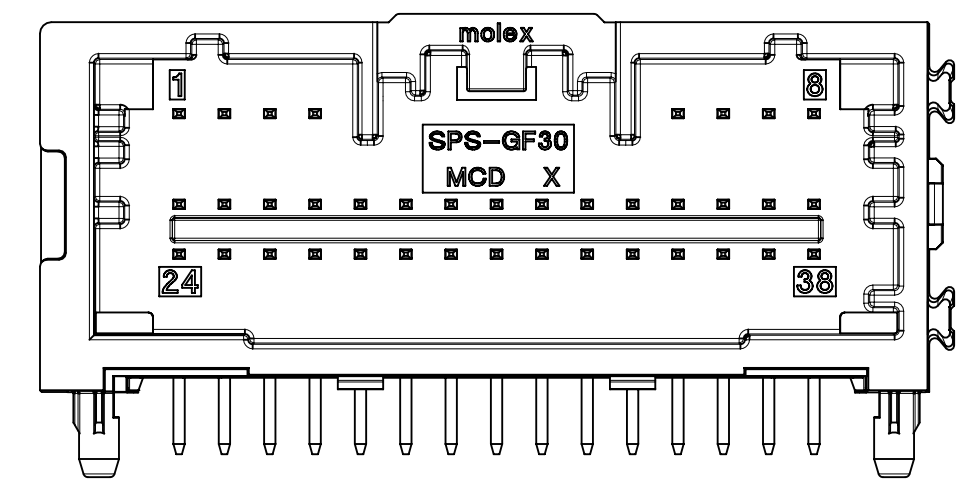
molex

34 & 38CKT MINI50
RIGHT ANGLE HEADER ASSEMBLY SALES DRAWING

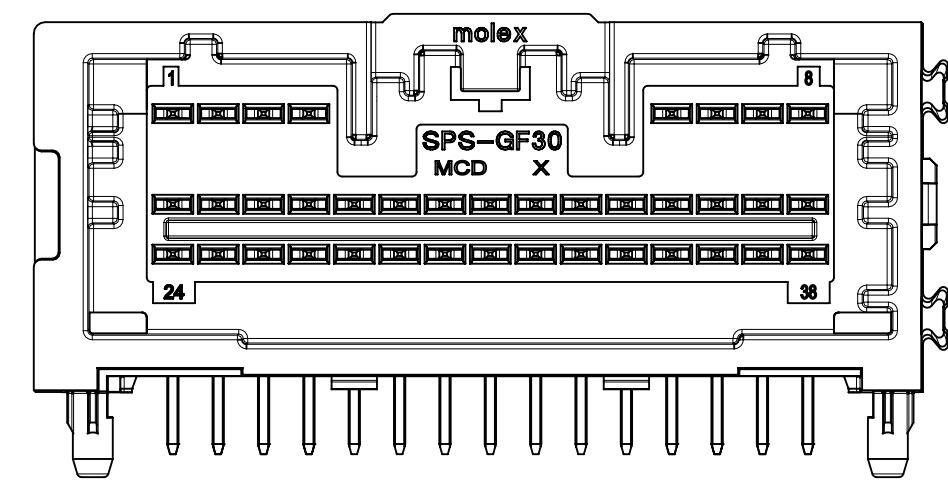
PRODUCT SALES DRAWING

TABLE OF CONTENTS	
SHEET NO.	SHEET DESCRIPTION
3	PIN INSERTION DIRECTION VIEW PAP HOLE SHAPE VIEW

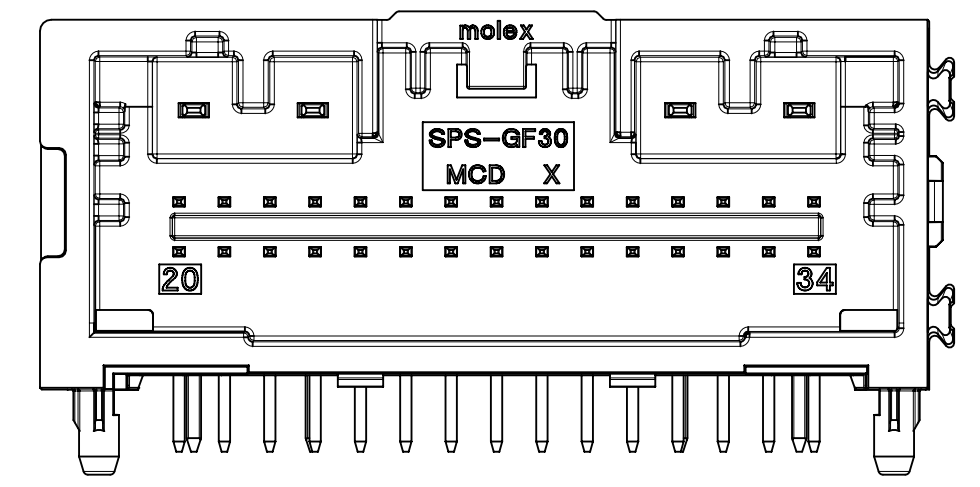
PIN INSERTION DIRECTION VIEW



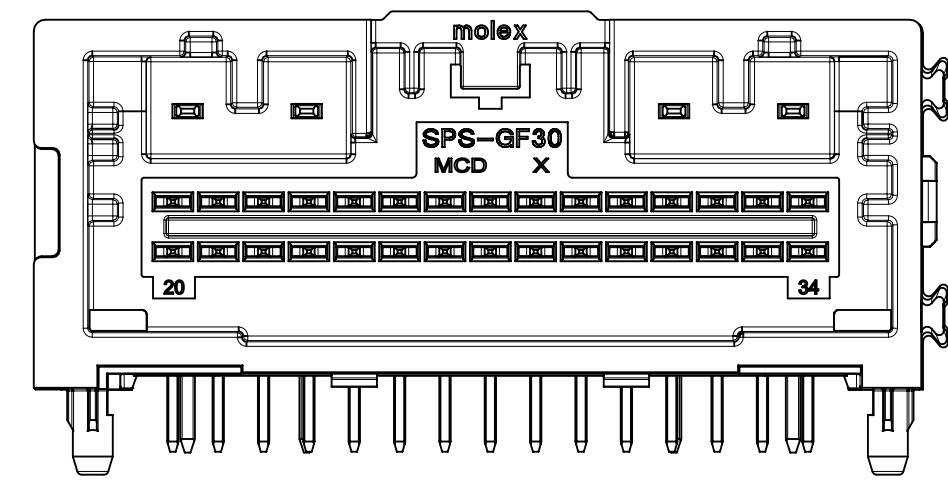
38CKT PIN INSERTION DIRECTION
PCB SIDE TO MATING SIDE



38CKT PIN INSERTION DIRECTION
MATING SIDE TO PCB SIDE

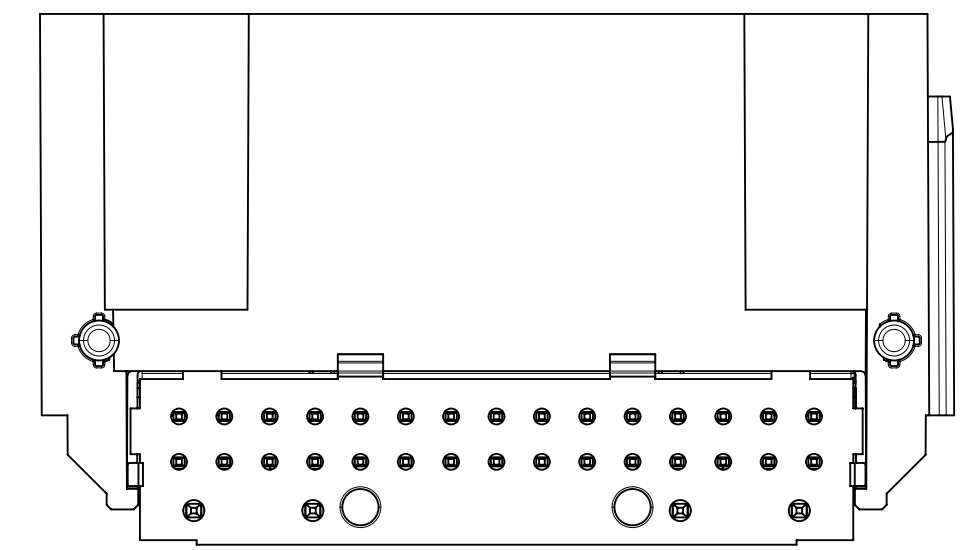


34CKT PIN INSERTION DIRECTION
PCB SIDE TO MATING SIDE

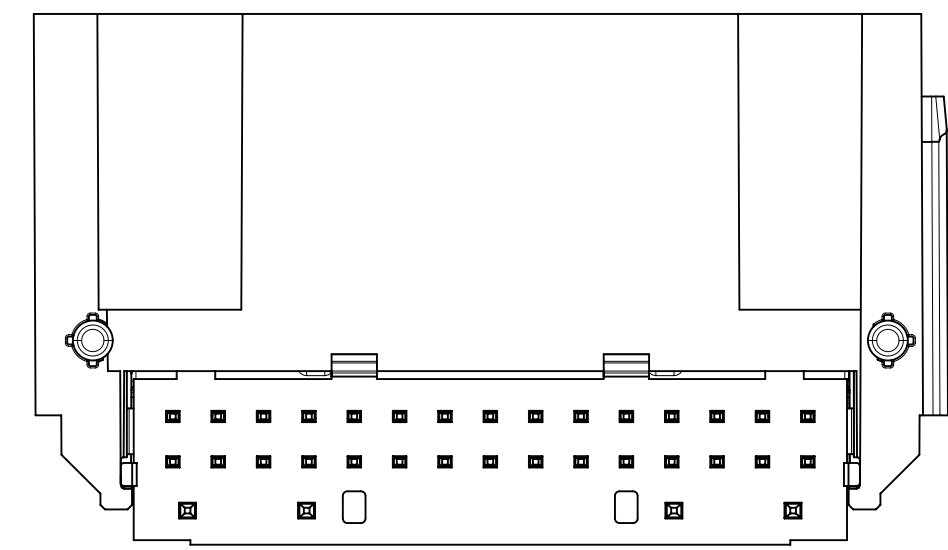


34CKT PIN INSERTION DIRECTION
MATING SIDE TO PCB SIDE

PAP HOLE SHAPE VIEW



PAP HOLE SHAPE
ROUND



PAP HOLE SHAPE
SQUARE

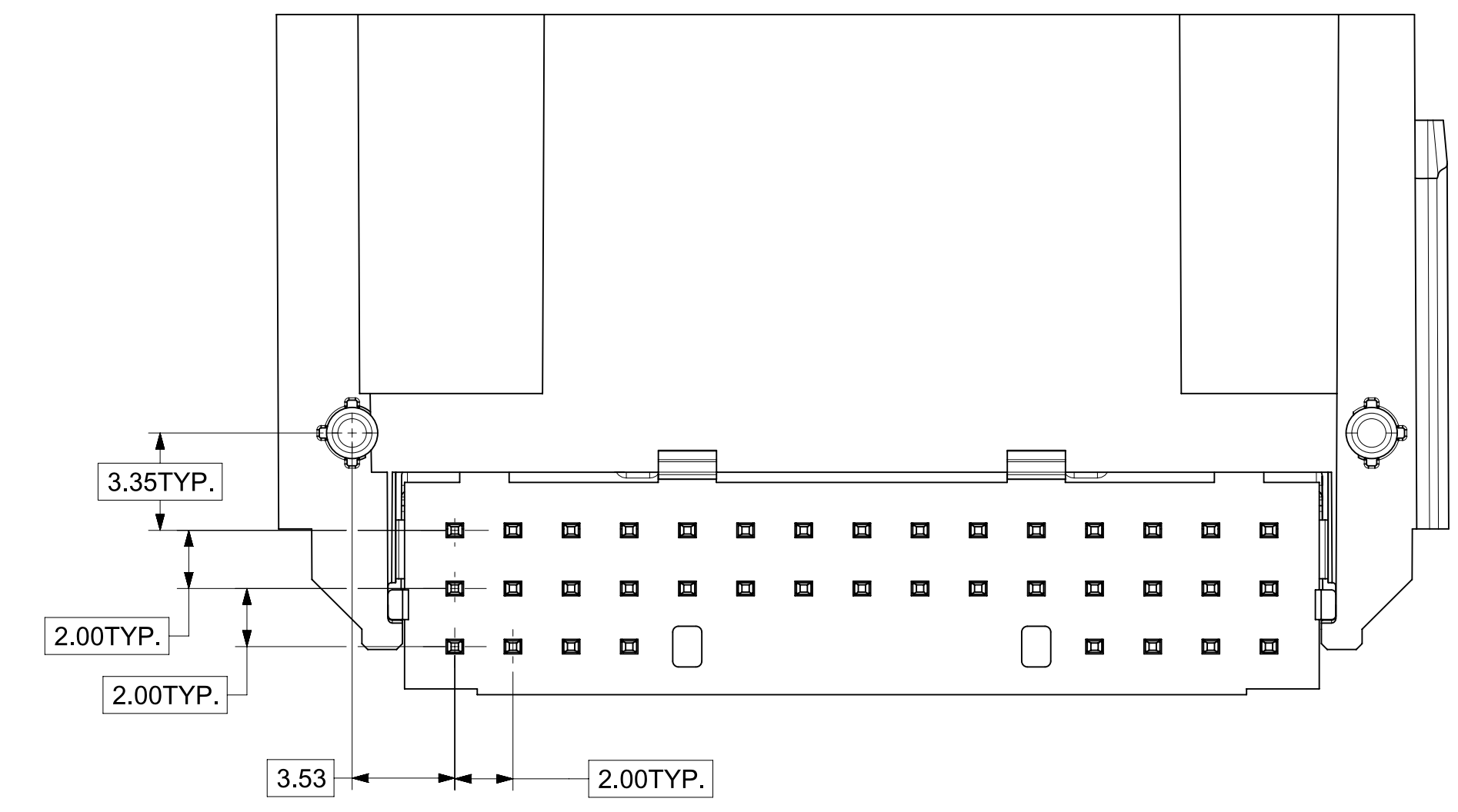
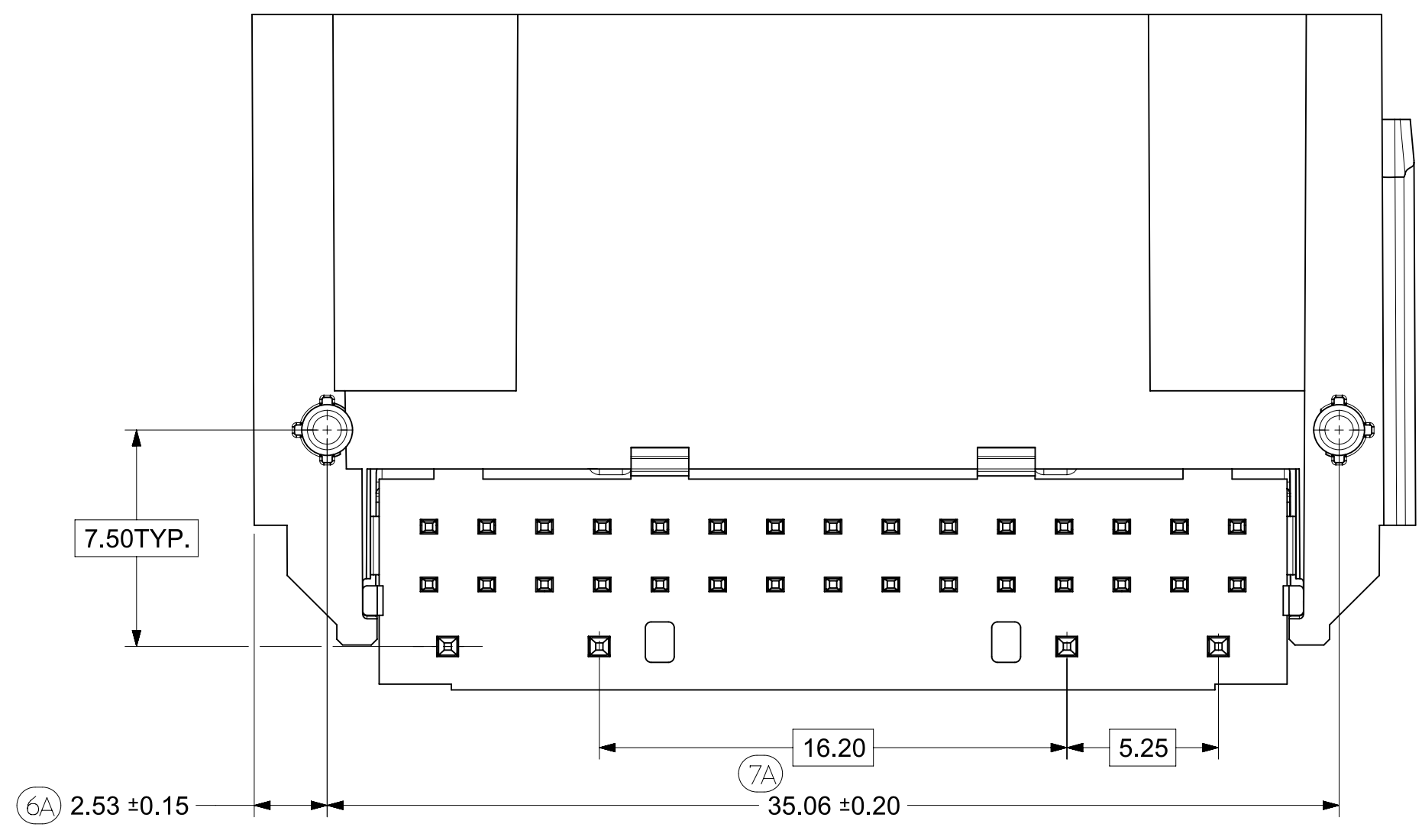
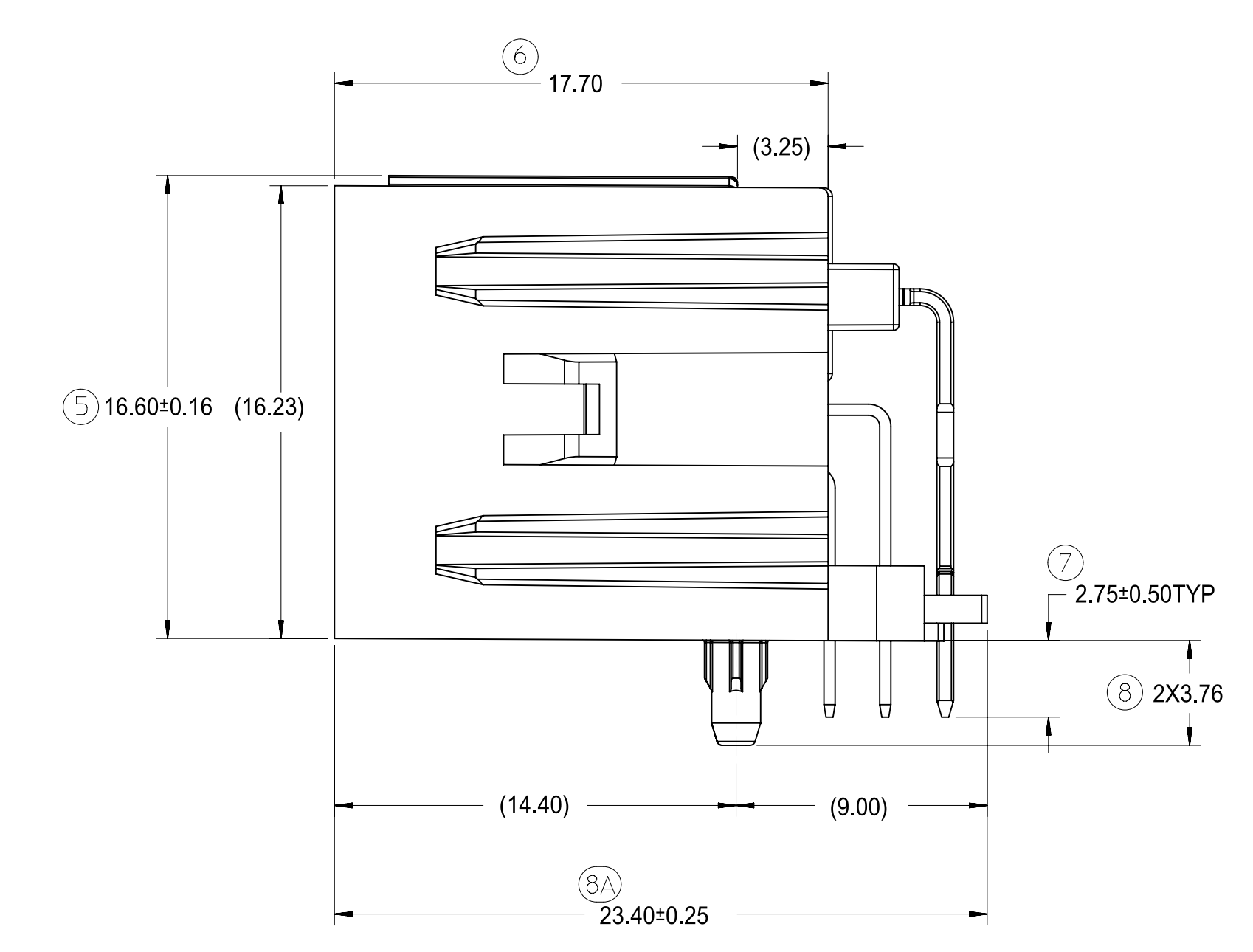
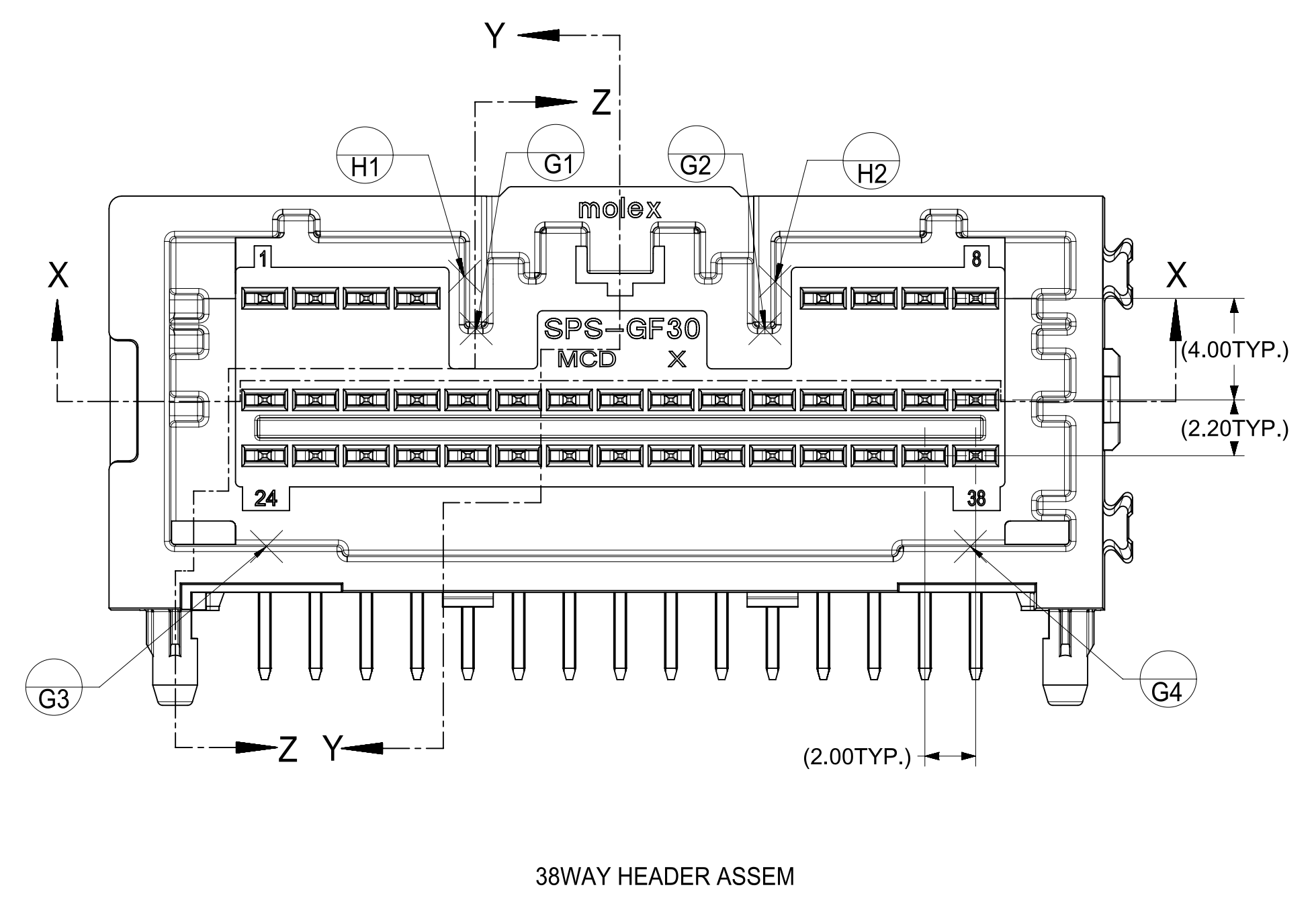
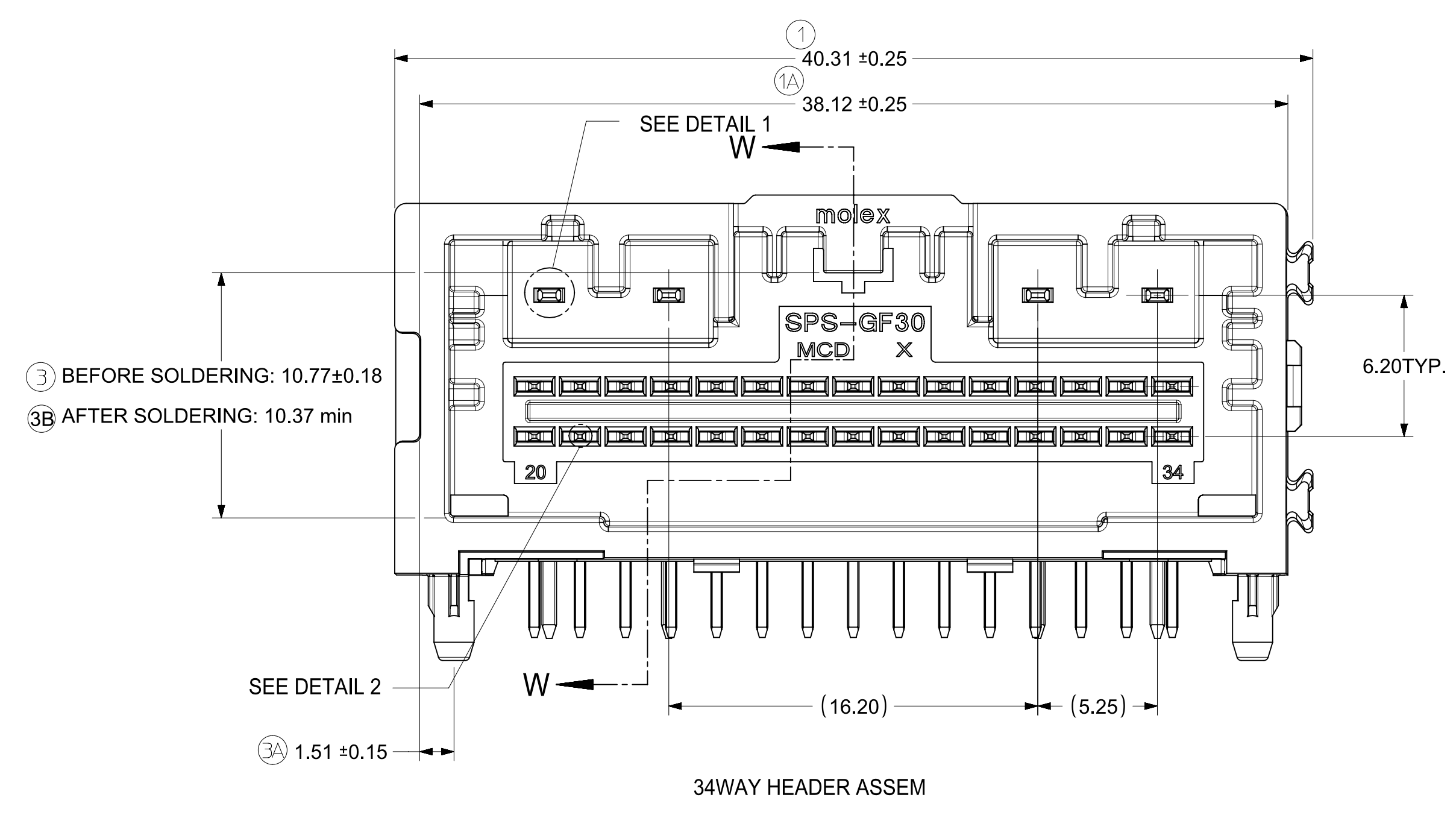
FUNCTIONAL SYMBOLS	THIS DRAWING CONTAINS INFORMATION THAT IS PROPRIETARY TO MOLEX ELECTRONIC TECHNOLOGIES, LLC AND SHOULD NOT BE USED WITHOUT WRITTEN PERMISSION		CURRENT REV DESC: REFER TO REVISION COLUMN	
	DIMENSION UNITS	SCALE		
$F_A = 0$	mm	3:1		
$F_C = 0$	GENERAL TOLERANCES (UNLESS SPECIFIED)			
$F_D = 0$	ANGULAR TOL $\pm 0.5^\circ$			
DIVISIONAL SYMBOLS	4 PLACES	\pm		
	3 PLACES	\pm		
	2 PLACES	\pm		
	1 PLACE	\pm		
	0 PLACES	\pm		
DRAFT WHERE APPLICABLE MUST REMAIN WITHIN DIMENSIONS		THIRD ANGLE PROJECTION	DRAWING	SERIES
			D-SIZE	34961
		STATUS: Production		2023-04-03
		DRWN: Shanks Wu		2023-05-19
		CHK'D: Ringo Hu		
		APPR: Ringo Hu		
		DOCUMENT NUMBER		DOC TYPE DOC PART REVISION
		SD-34961-030		PSD 001 K1
		MATERIAL NUMBER		CUSTOMER
		GENERAL MARKET		SHEET NUMBER
				3 OF 6

molex

34 & 38CKT MINI50
RIGHT ANGLE HEADER ASSEMBLY SALES DRAWING

PRODUCT SALES DRAWING

TABLE OF CONTENTS	
SHEET NO.	SHEET DESCRIPTION
4	DETAIL DIMENSION VIEW



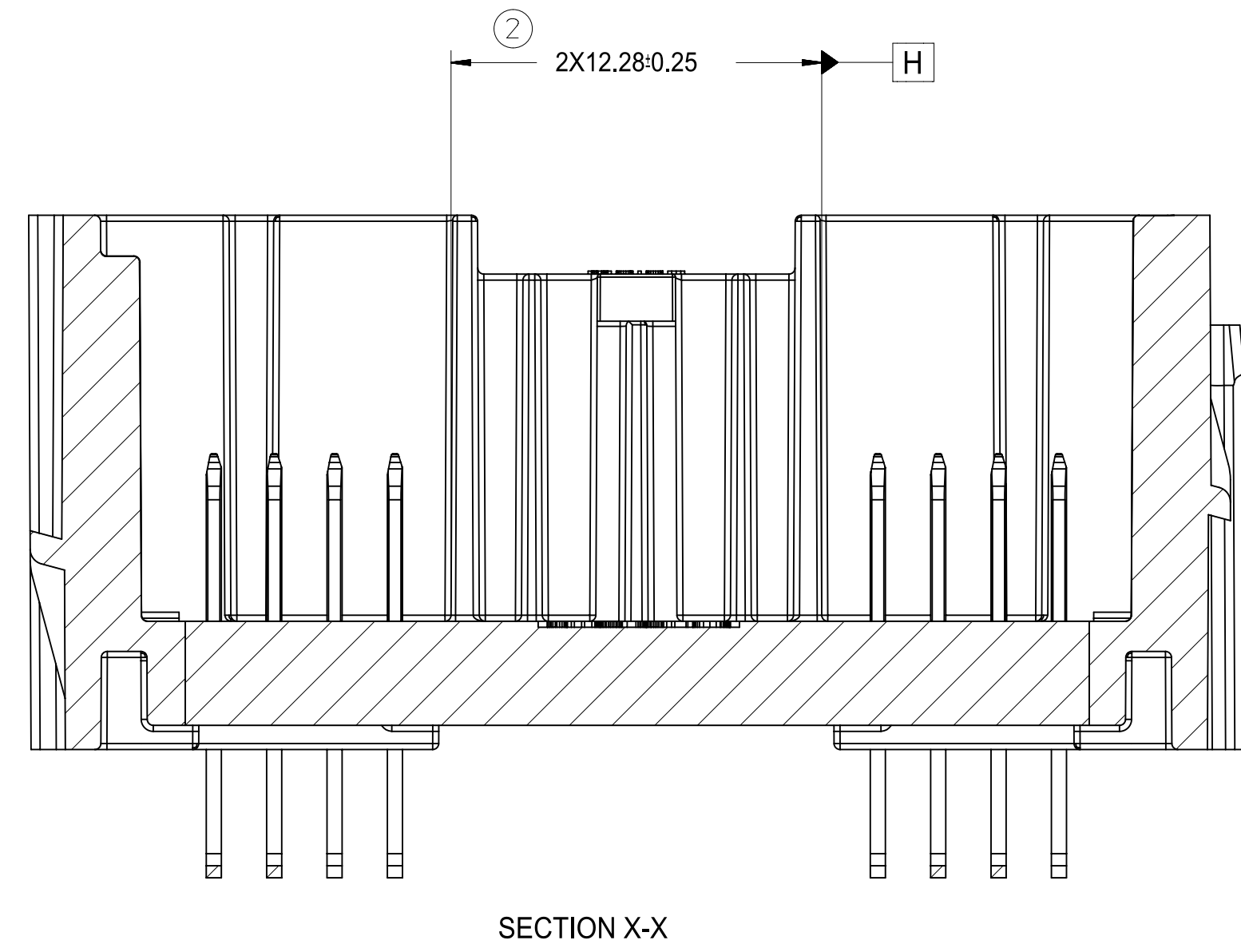
FUNCTIONAL SYMBOLS $F_A = 0$ $F_C = 0$ $F_P = 0$	THIS DRAWING CONTAINS INFORMATION THAT IS PROPRIETARY TO MOLEX ELECTRONIC TECHNOLOGIES, LLC AND SHOULD NOT BE USED WITHOUT WRITTEN PERMISSION	
	DIMENSION UNITS	SCALE
	mm	5:1
	CURRENT REV DESC: REFER TO REVISION COLUMN	
DIVISIONAL SYMBOLS 4 PLACES ± 3 PLACES ± 2 PLACES ± 1 PLACE ± 0 PLACES ±	GENERAL TOLERANCES (UNLESS SPECIFIED)	
	ANGULAR TOL ± 0.5°	
	STATUS: Production	
	DRWN: Shanks Wu	
	CHK'D: Ringo Hu	
APPR: Ringo Hu		2023-04-03
DRAFT WHERE APPLICABLE MUST REMAIN WITHIN DIMENSIONS		2023-05-19
THIRD ANGLE PROJECTION	DRAWING	SERIES
	D-SIZE	34961
MATERIAL NUMBER		CUSTOMER
SD-34961-030		GENERAL MARKET
DOC TYPE	DOC PART	REVISION
PSD	001	K1
SHEET NUMBER		4 OF 6

molex

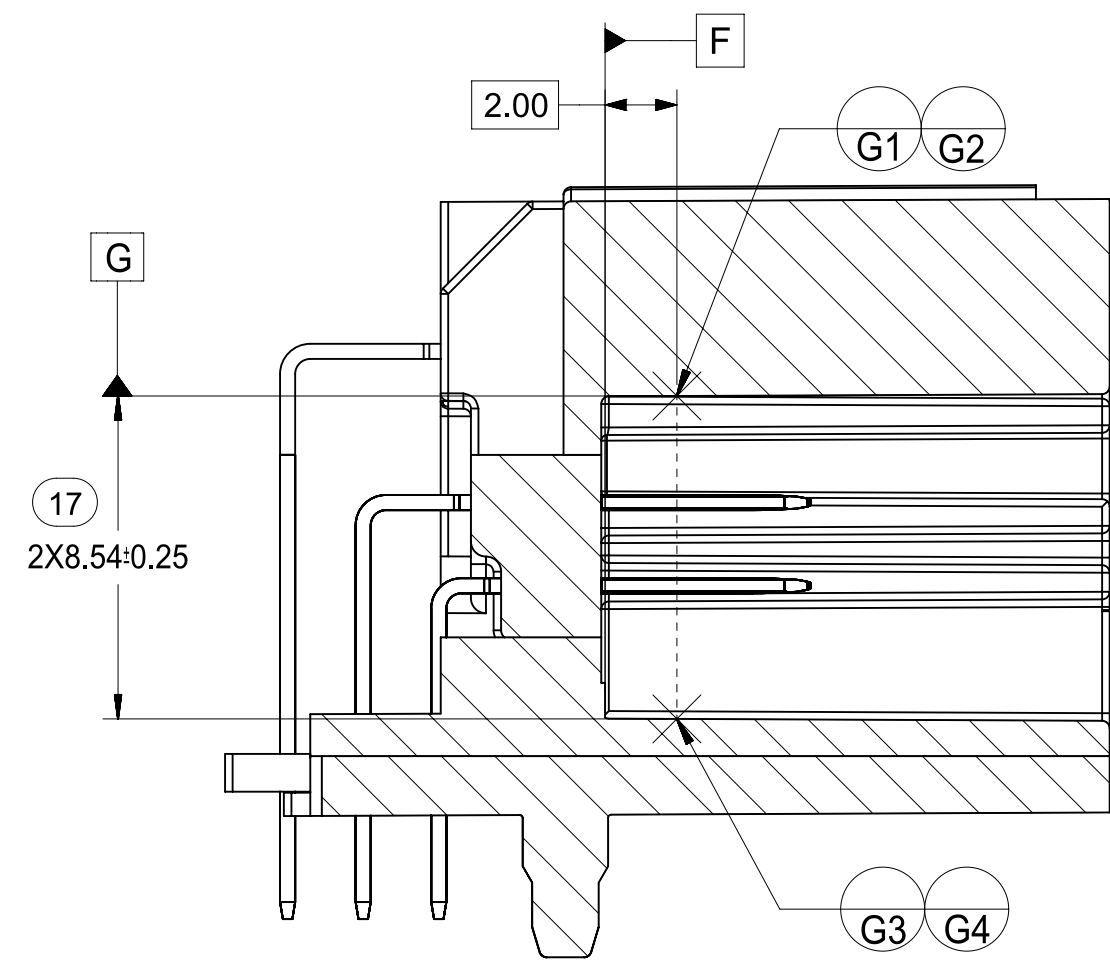
34 & 38CKT MINI50
RIGHT ANGLE HEADER ASSEMBLY SALES DRAWING

PRODUCT SALES DRAWING

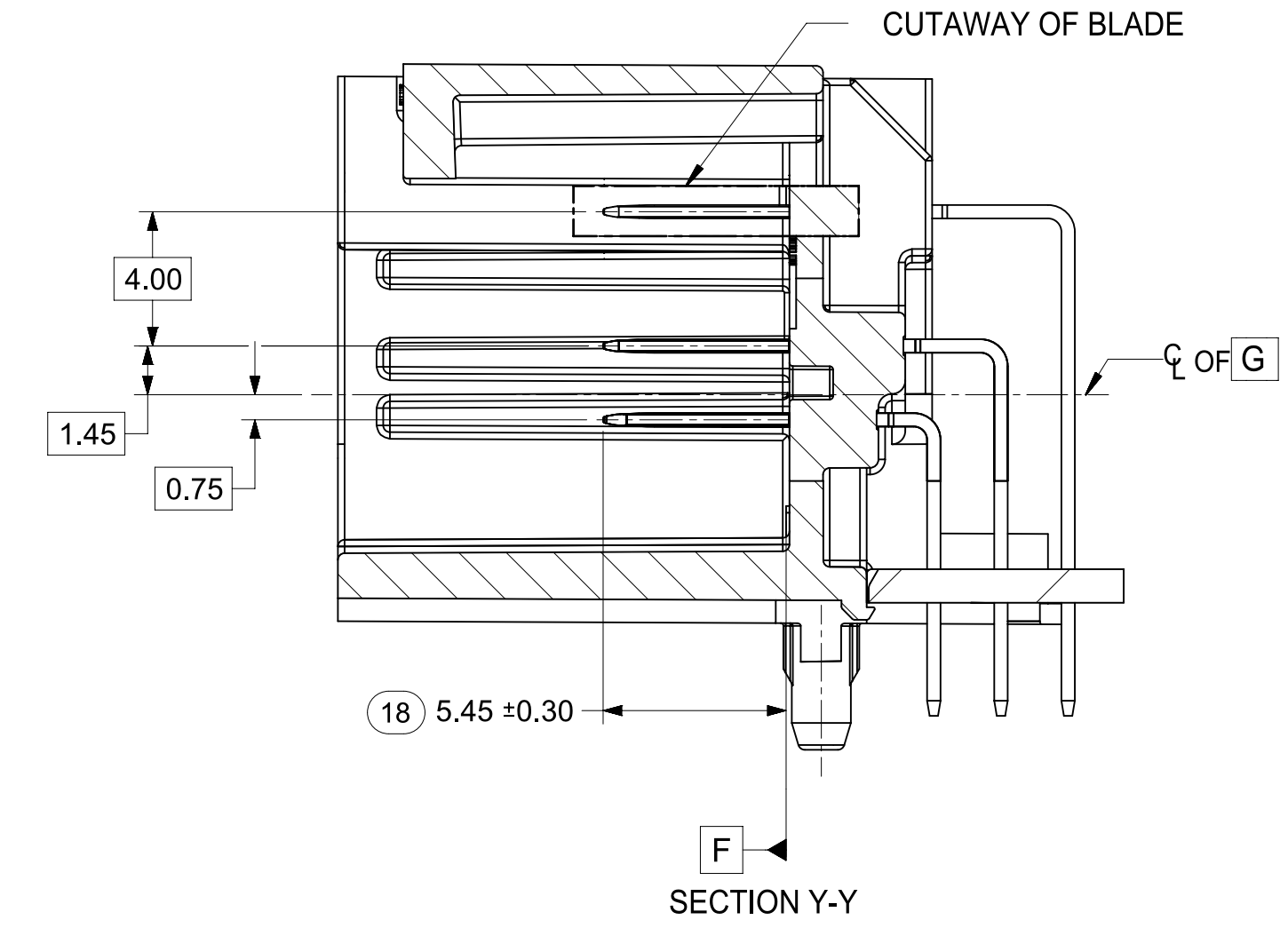
TABLE OF CONTENTS	
SHEET NO.	SHEET DESCRIPTION
5	DETAIL DIMENSION VIEW



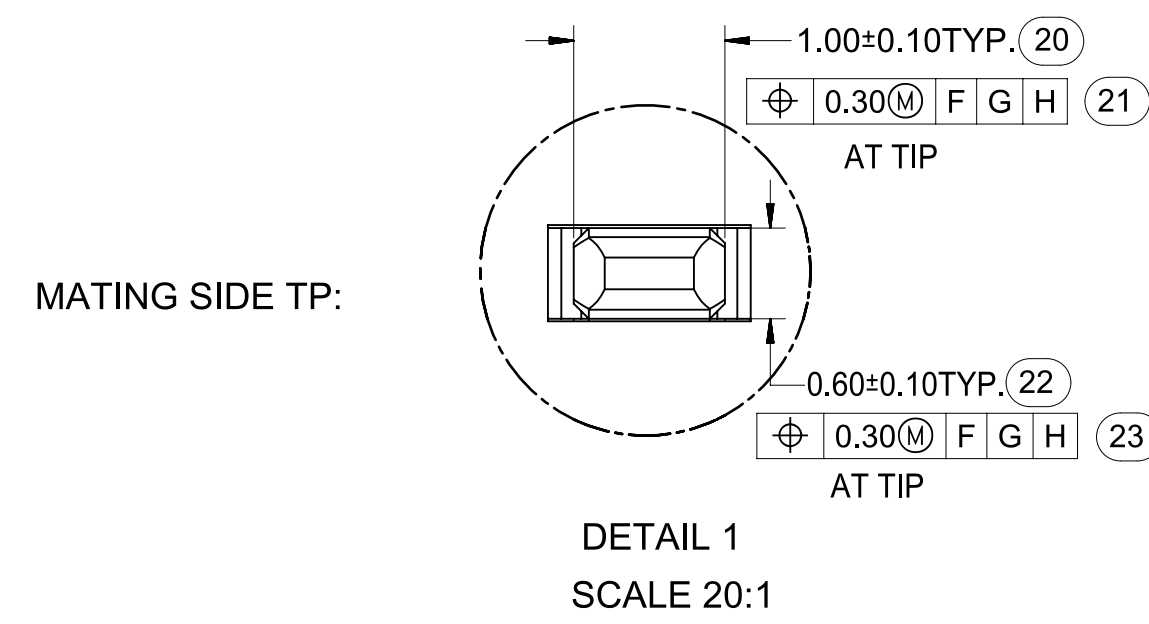
SECTION X-X



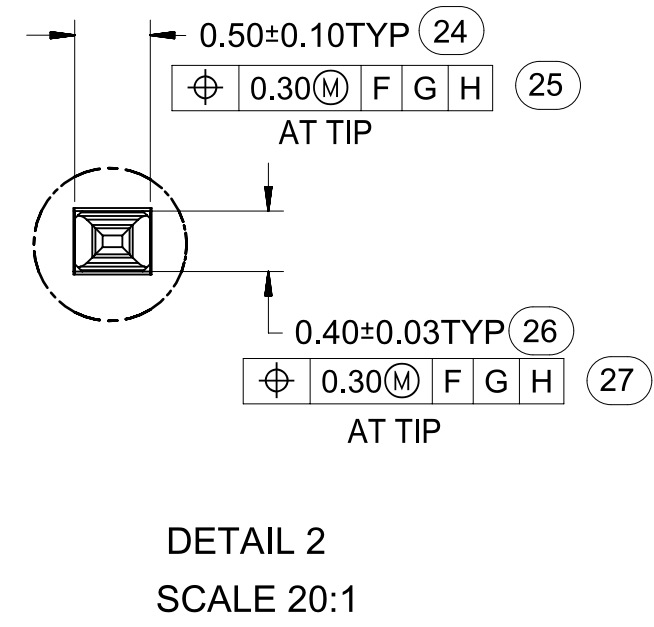
SECTION Z-Z



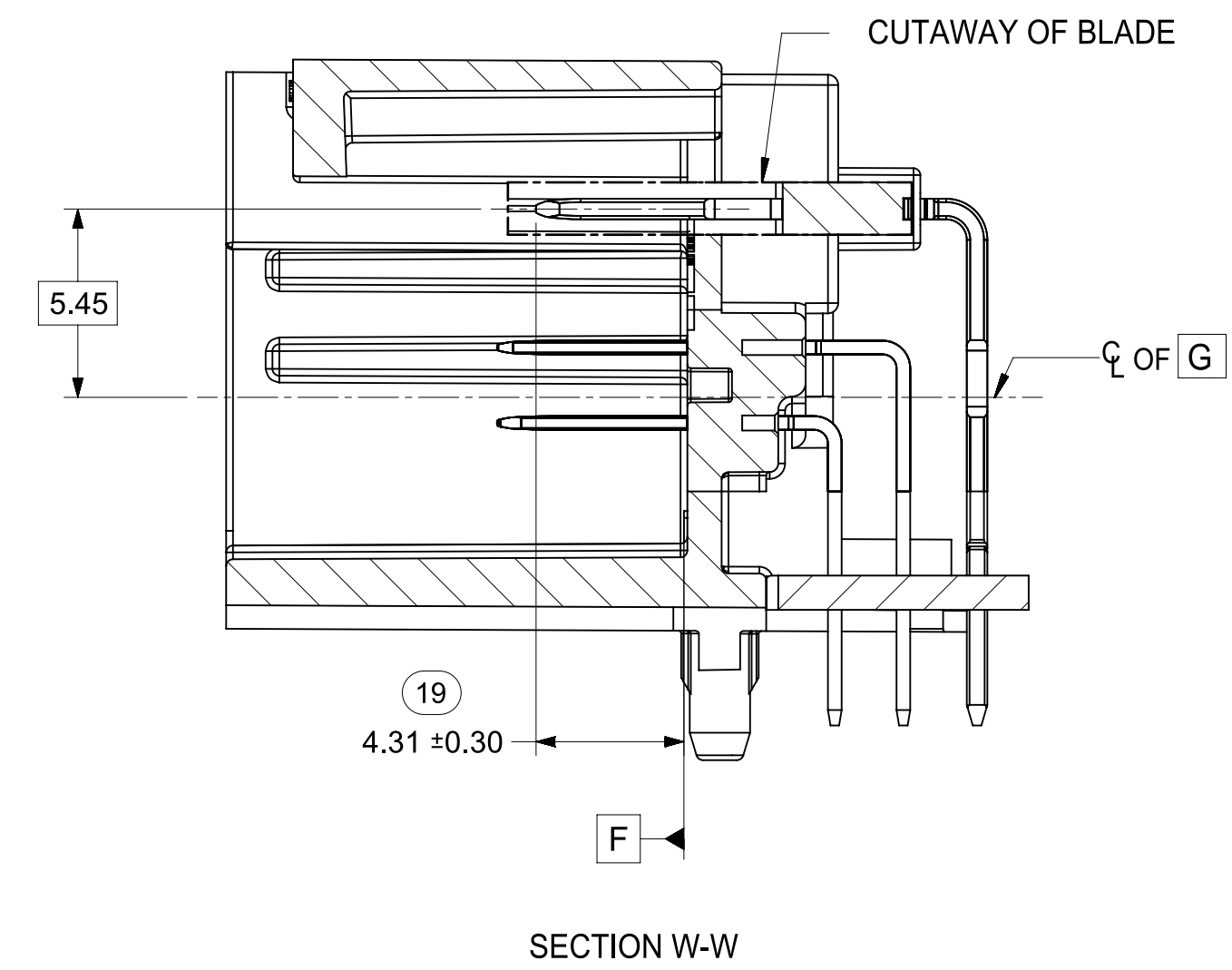
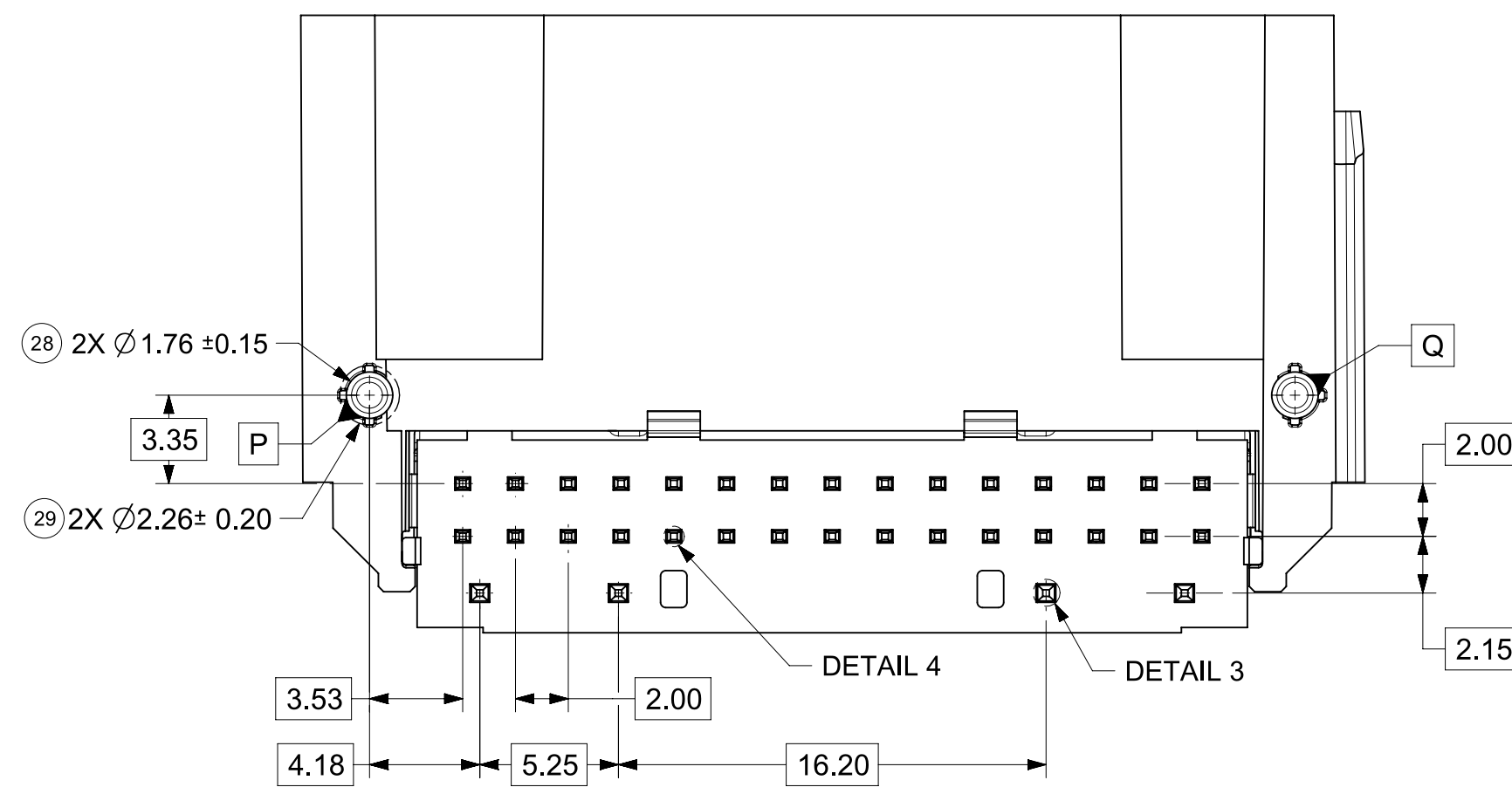
SECTION Y-Y



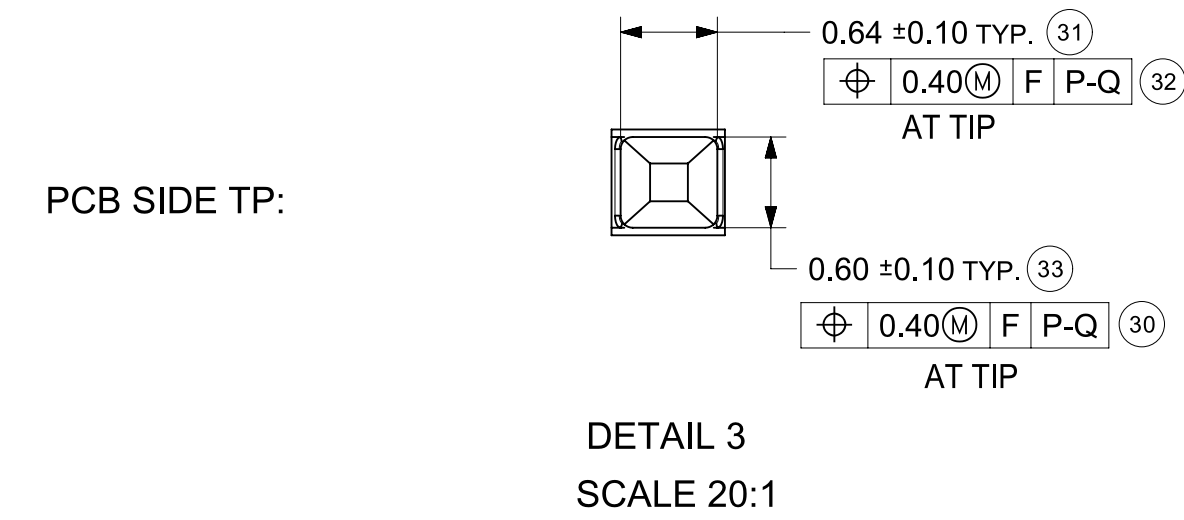
DETAIL 1
SCALE 20:1



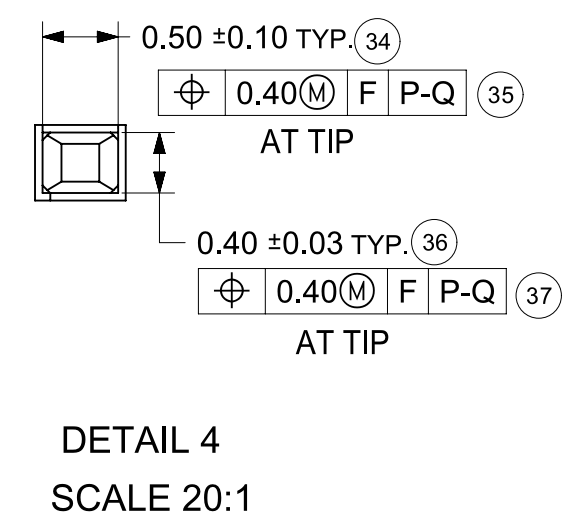
DETAIL 2
SCALE 20:1



SECTION W-W



DETAIL 3
SCALE 20:1



DETAIL 4
SCALE 20:1

FUNCTIONAL SYMBOLS $F_A = 0$ $F_C = 0$ $F_P = 0$	THIS DRAWING CONTAINS INFORMATION THAT IS PROPRIETARY TO MOLEX ELECTRONIC TECHNOLOGIES, LLC AND SHOULD NOT BE USED WITHOUT WRITTEN PERMISSION	
	DIMENSION UNITS	SCALE
	mm	5:1
	GENERAL TOLERANCES (UNLESS SPECIFIED)	
DIVISIONAL SYMBOLS 4 PLACES ± 3 PLACES ± 2 PLACES ± 1 PLACE ± 0 PLACES ±	ANGULAR TOL ± 0.5°	CURRENT REV DESC: REFER TO REVISION COLUMN
	STATUS: Production	
	DRWN: Shanks Wu	
	CHK'D: Ringo Hu	
APPR: Ringo Hu		2023-04-03
DRAFT WHERE APPLICABLE MUST REMAIN WITHIN DIMENSIONS		2023-05-19
THIRD ANGLE PROJECTION	DRAWING	SERIES
	D-SIZE	34961
MATERIAL NUMBER		CUSTOMER
SD-34961-030		GENERAL MARKET
DOCUMENT NUMBER	DOC TYPE	DOC PART
SD-34961-030	PSD	001
REVISION		SHEET NUMBER
K1		5 OF 6

molex

34 & 38CKT MINI50
RIGHT ANGLE HEADER ASSEMBLY SALES DRAWING

PRODUCT SALES DRAWING

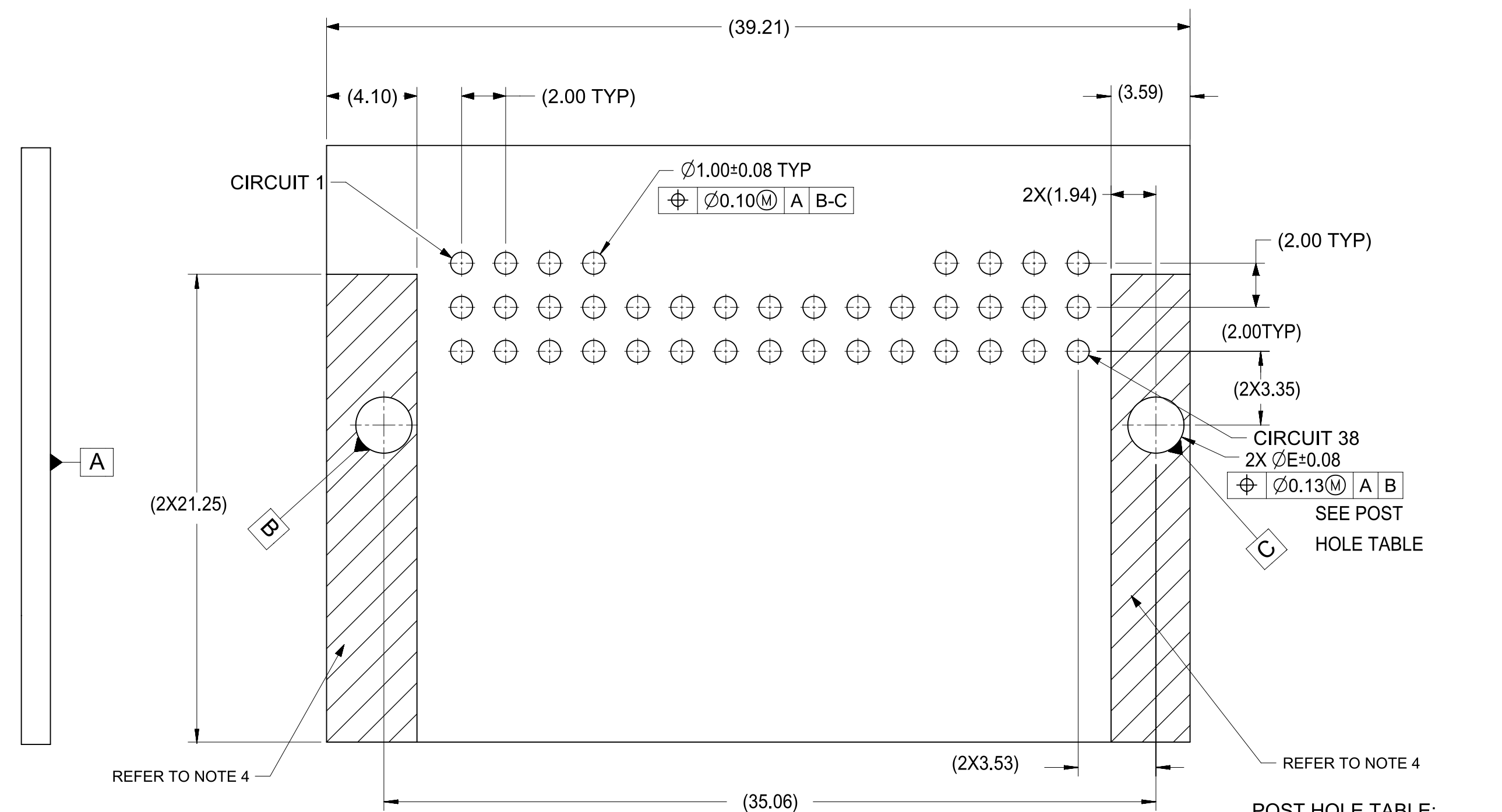
DOCUMENT NUMBER DOC TYPE DOC PART REVISION

SD-34961-030 PSD 001 K1

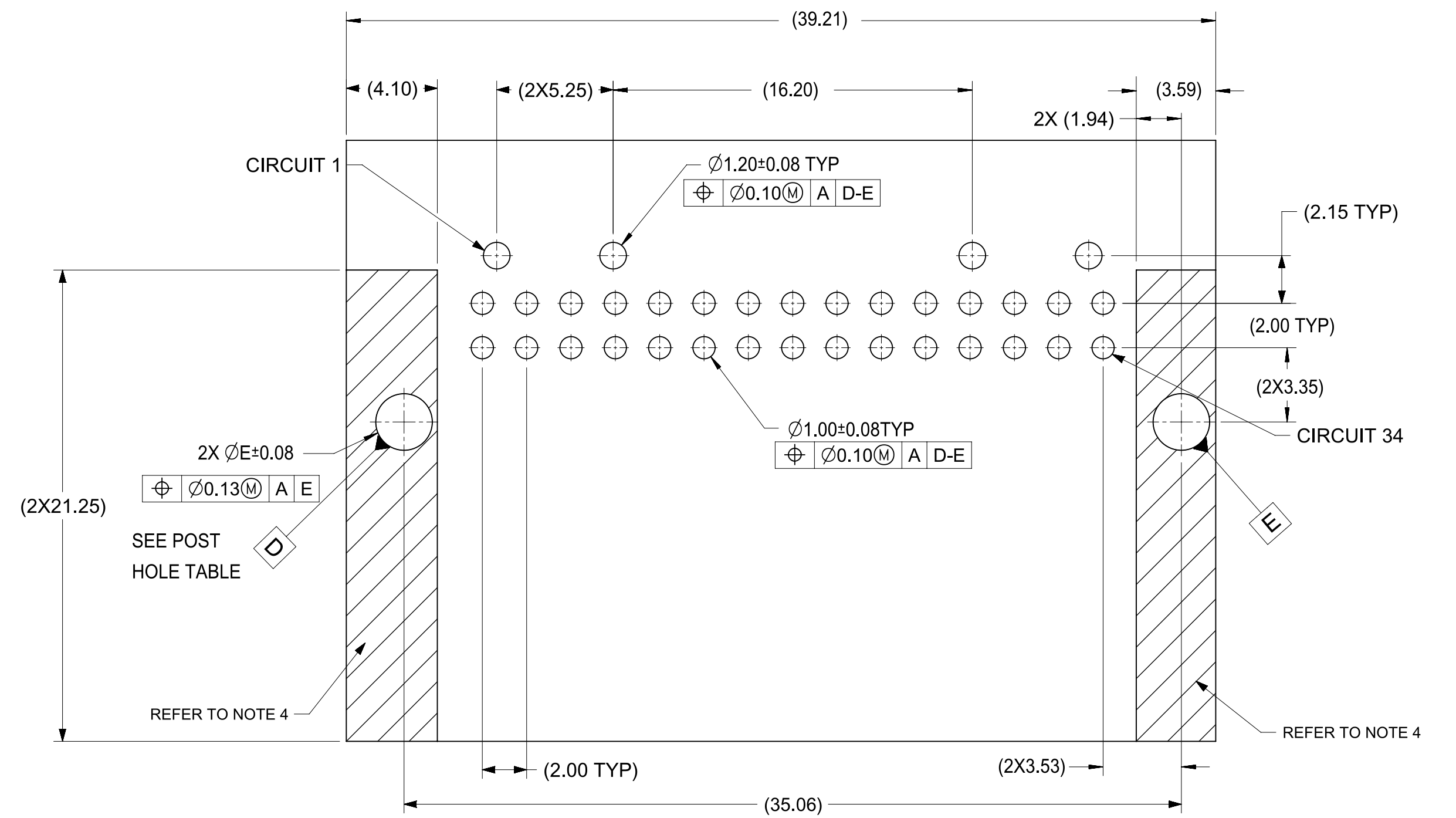
MATERIAL NUMBER CUSTOMER SHEET NUMBER

GENERAL MARKET 5 OF 6

TABLE OF CONTENTS	
SHEET NO.	SHEET DESCRIPTION
6	REFERENCE PCB LAYOUT



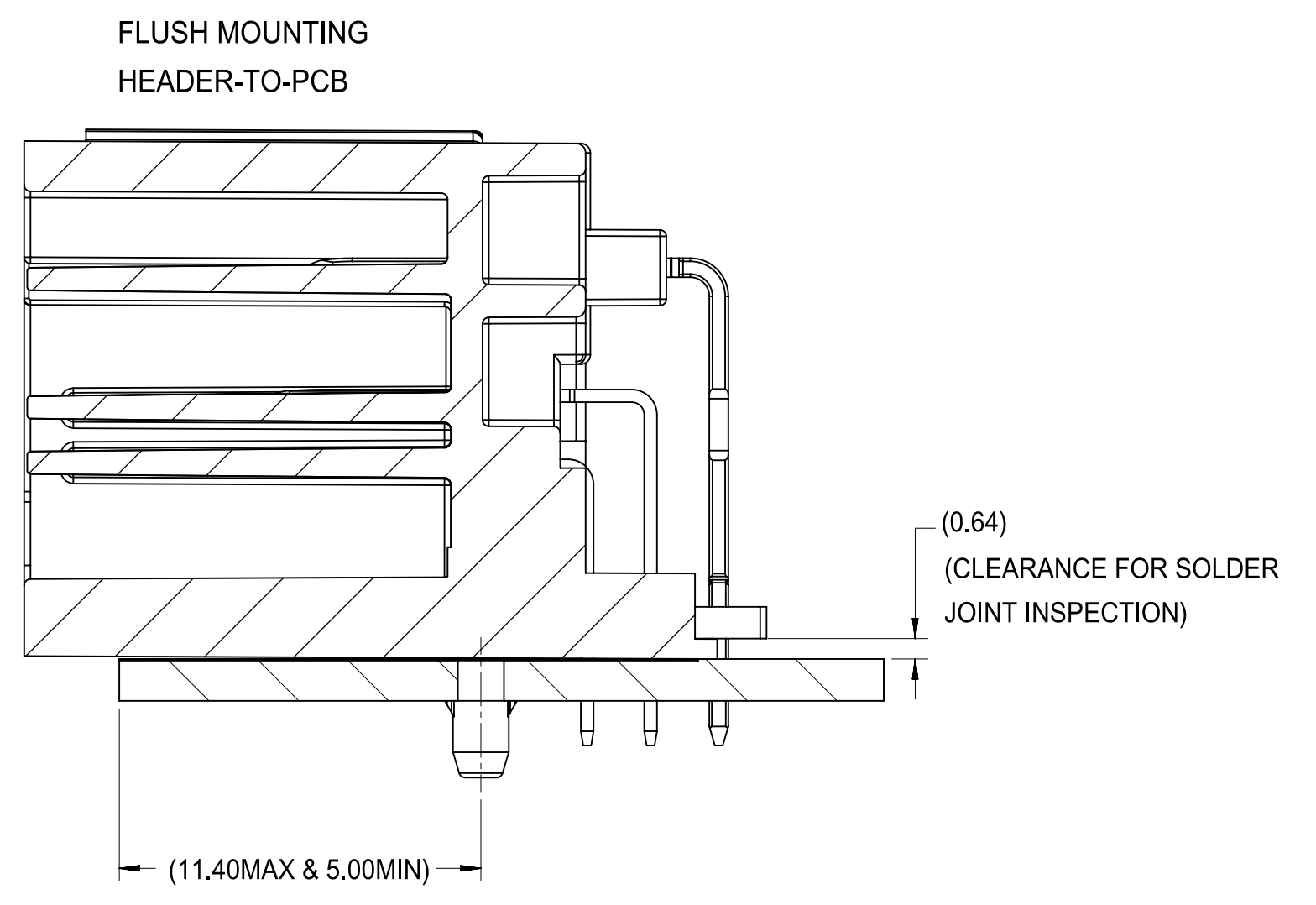
REFERENCE 38WAY PCB LAYOUT



REFERENCE 34WAY PCB LAYOUT

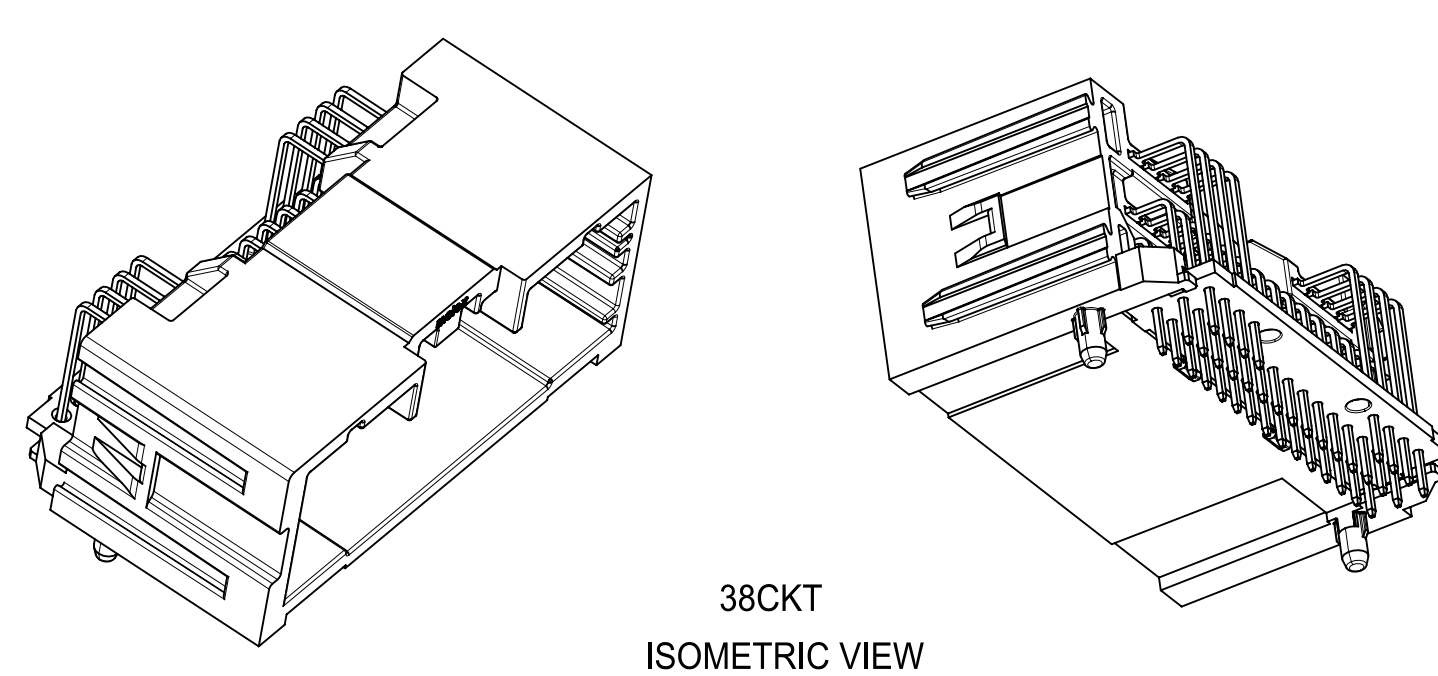
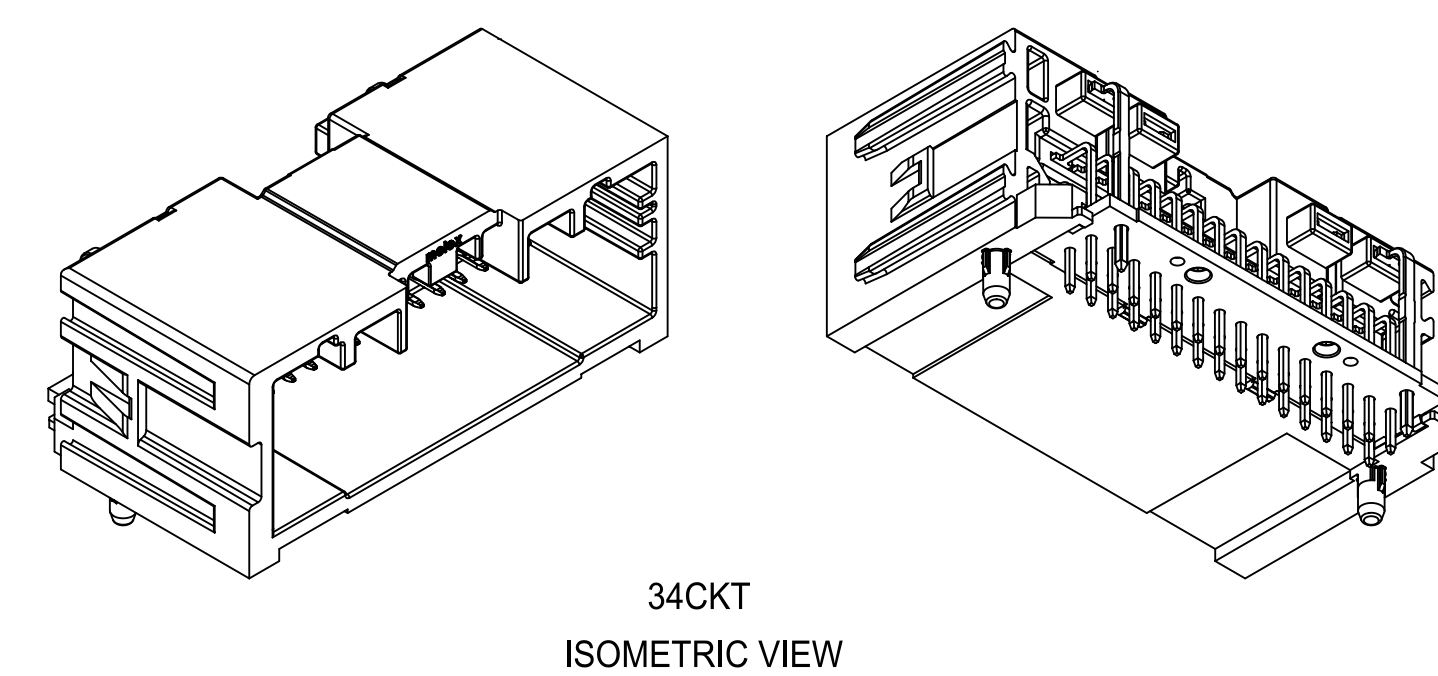
POST HOLE TABLE:

FOR DIM E:	
PRESS FIT:	2.15
DROP IN:	2.55



FUNCTIONAL SYMBOLS $F_A = 0$ $F_C = 0$ $F_D = 0$ DIVISIONAL SYMBOLS 3 PLACES ± 2 PLACES ± 1 PLACE ± 0 PLACES ±	THIS DRAWING CONTAINS INFORMATION THAT IS PROPRIETARY TO MOLEX ELECTRONIC TECHNOLOGIES, LLC AND SHOULD NOT BE USED WITHOUT WRITTEN PERMISSION		CURRENT REV DESC: REFER TO REVISION COLUMN	
	DIMENSION UNITS	SCALE		
	mm	5:1		
	GENERAL TOLERANCES (UNLESS SPECIFIED)			
ANGULAR TOL ± 0.5°				
DRAFT WHERE APPLICABLE MUST REMAIN WITHIN DIMENSIONS		THIRD ANGLE PROJECTION		
		STATUS: Production		
		DRWN: Shanks Wu		
		CHK'D: Ringo Hu		
		APPR: Ringo Hu		
		2023-04-03		
		2023-05-19		
		DRAWING		
		SERIES		
		MATERIAL NUMBER		
		CUSTOMER		
		SHEET NUMBER		
		D-SIZE		
		34961		
		GENERAL MARKET		
		6 OF 6		
		34 & 38CKT MINI50 RIGHT ANGLE HEADER ASSEMBLY SALES DRAWING PRODUCT SALES DRAWING		
		DOCUMENT NUMBER: SD-34961-030 DOC TYPE: PSD DOC PART: 001 REVISION: K1		

TABLE OF CONTENTS	
SHEET NO.	SHEET DESCRIPTION
1	NOTES,INSPECTION BALLOON NUMBER LOG, REV.COLUMN, ISOMETRIC VIEW, NOMINAL DIMENSION RANGE
2	PIN CONFIGURATION TABLE
3	34&38WAY POLARIZATION OPTION VIEW, HB/V0 VERSION DIFFERENCE
4	PIN INSERTION DIRECTION VIEW PAP HOLE SHAPE VIEW
5	DETAIL DIMENSION VIEW REFERENCE PCB LAYOUT



DIN 16901	CODE LETTER	NOMINAL DIMENSION RANGE													
		OVER UP TO	0	1	3	6	10	15	22	30	40	53	70	90	120
PRECISION ENGINEERING	A	±0.10	±0.12	±0.14	±0.16	±0.20	±0.22	±0.24	±0.26	±0.28	±0.31	±0.35	±0.40	±0.50	
	B	±0.05	±0.06	±0.07	±0.08	±0.10	±0.12	±0.14	±0.16	±0.18	±0.21	±0.25	±0.30	±0.40	

A: FOR NON-MOLD RELATED DIMENSIONS (ACROSS PARTING LINE)
B: FOR MOLD RELATED DIMENSIONS (WITHIN MOLD COMPONENTS)

INSPECTION BALLOON NUMBER LOG
PER DRAWING REVISION: B
LAST BALLOON NUMBER USED: 8A
ADDED BALLOON NUMBERS:
REMOVED BALLOON NUMBERS:

NOTES: VALID UNLESS OTHERWISE SPECIFIED

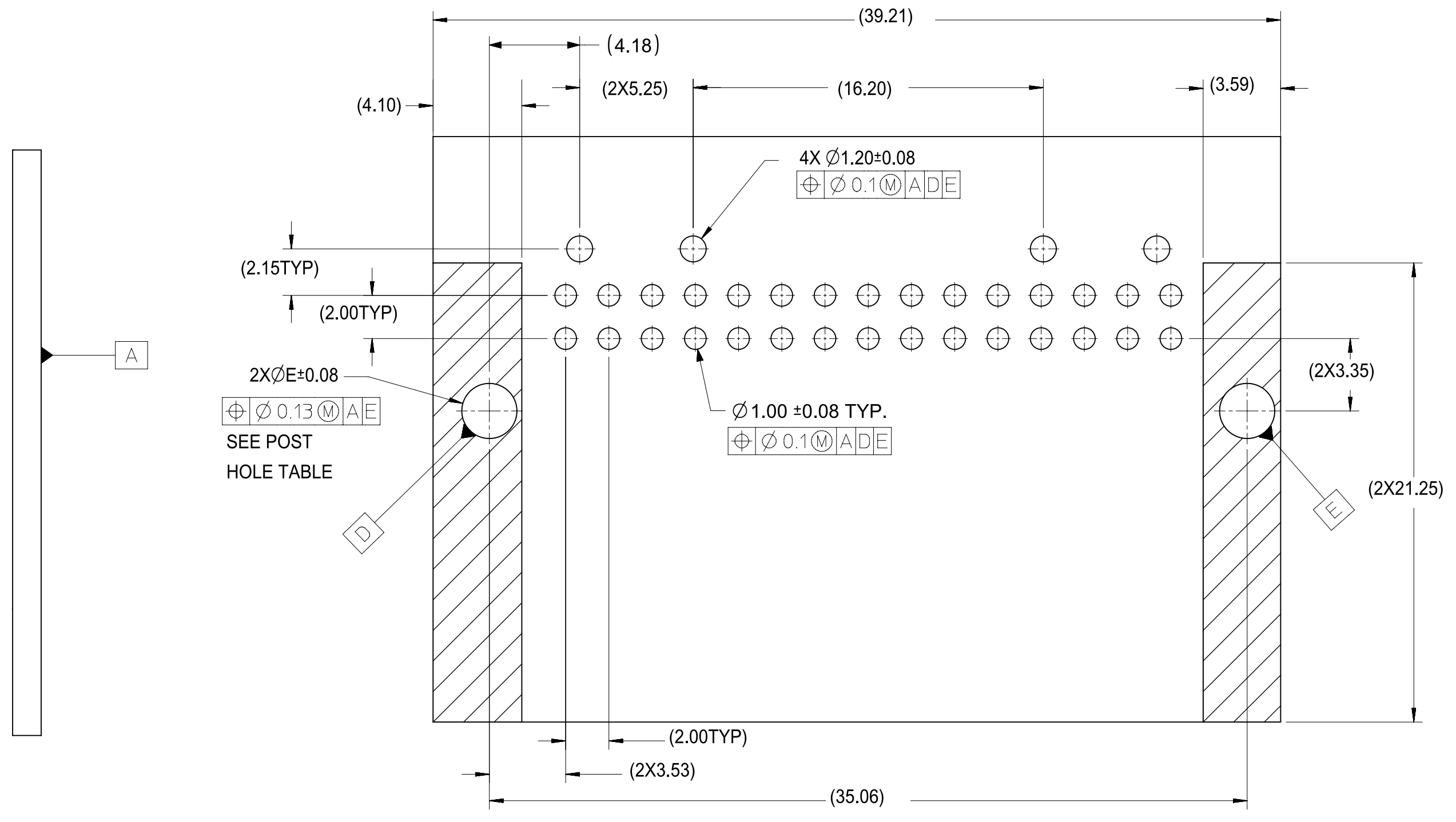
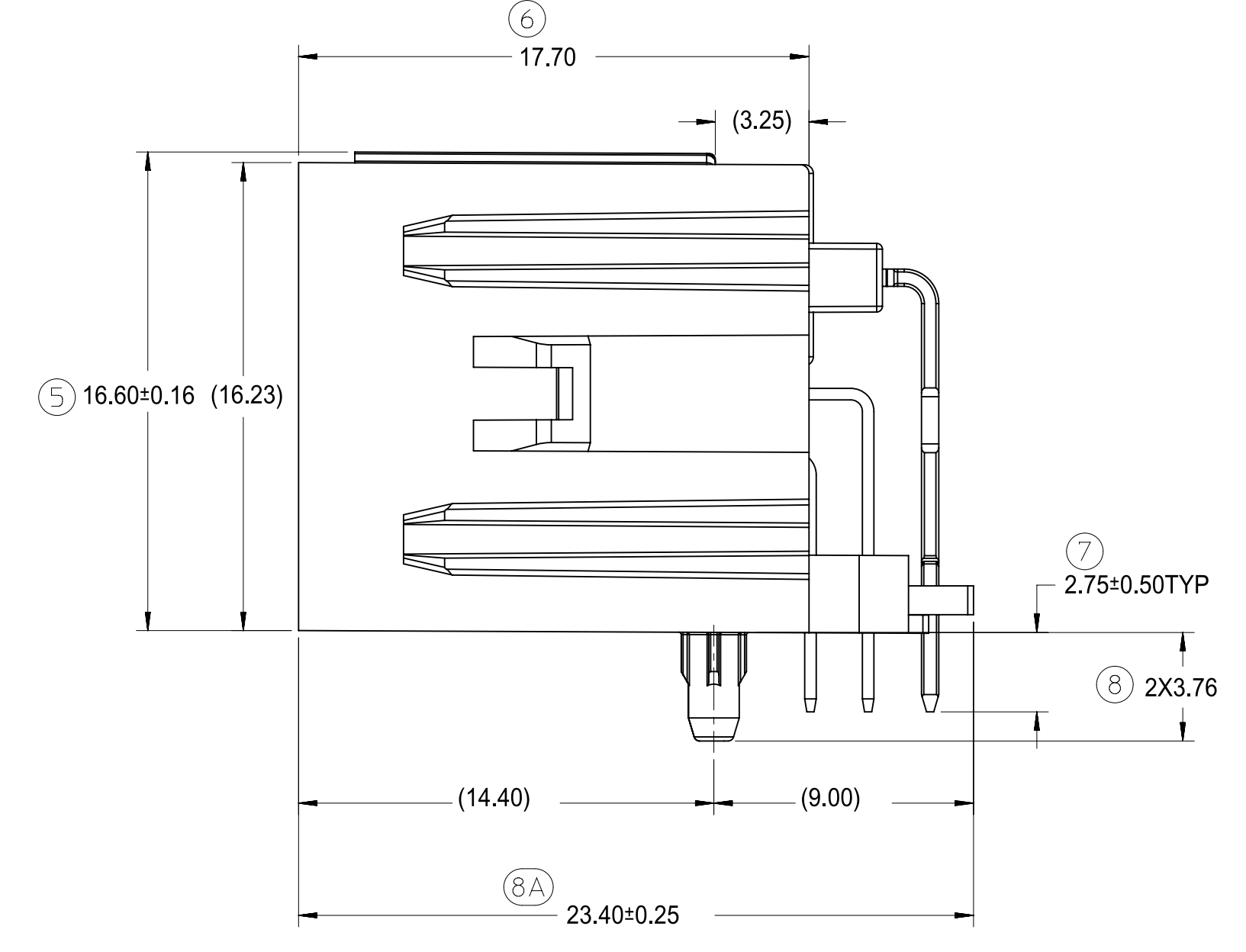
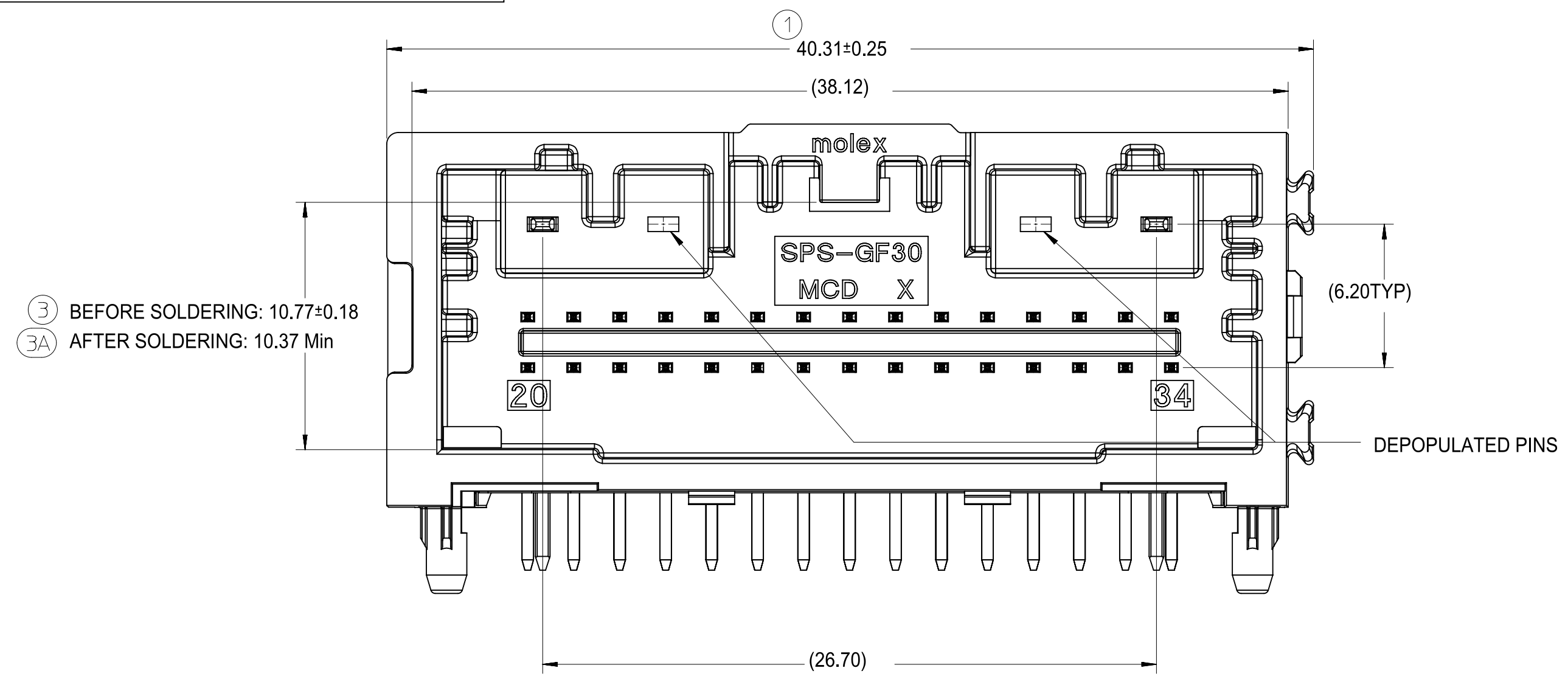
1. GENERAL:
- a. CONNECTOR HEADER MUST BE VALIDATED TO THE FOLLOWING FUNCTIONAL REQUIREMENTS:
 HB VALIDATION SPECIFICATION = GMW3191 JUNE 2012
 V0 VALIDATION SPECIFICATION = USCAR-2 REV6
 SOLDERABILITY = SMES-152
- b. APPLICATION REQUIREMENTS:
 SEE APPLICATION SPECIFICATION = AS-34959-001
 SEE HB PRODUCT SPECIFICATION = PS-34959-001
 SEE V0 PRODUCT SPECIFICATION = 2133550000-PS
 COSMETIC SPECIFICATION: PS-45499-002 Class B
 GEOMETRIC TOLERANCING: SEE DIN 16901 TABLE
 MATES WITH: SD-34959-030
 FULL PIN HEADER SD DRAWING(FOR REFERENCE): SD-34961-030

- c. PACKAGING SPECIFICATION: SEE PIN CONFIGURATION TABLE
2. DESIGN MATERIALS:
- a. HEADER HSG (PLASTIC HOUSING):
 HB RESIN - SPS
 V0 RESIN - SPS
- b. PIN ALIGNMENT PLATE:
 HB RESIN - SPS
 V0 RESIN - SPS
- c. 0.50MM BLADES:
 BASE MATERIAL: BRASS
 PLATING TYPE: AS NOTED
- d. 1.20MM BLADES:
 BASE MATERIAL: BRASS
 PLATING TYPE: AS NOTED
3. PLATING REQUIREMENTS:
- a. UNDERPLATING - OVERALL NICKEL
- b. OVERPLATING - OVERALL TIN

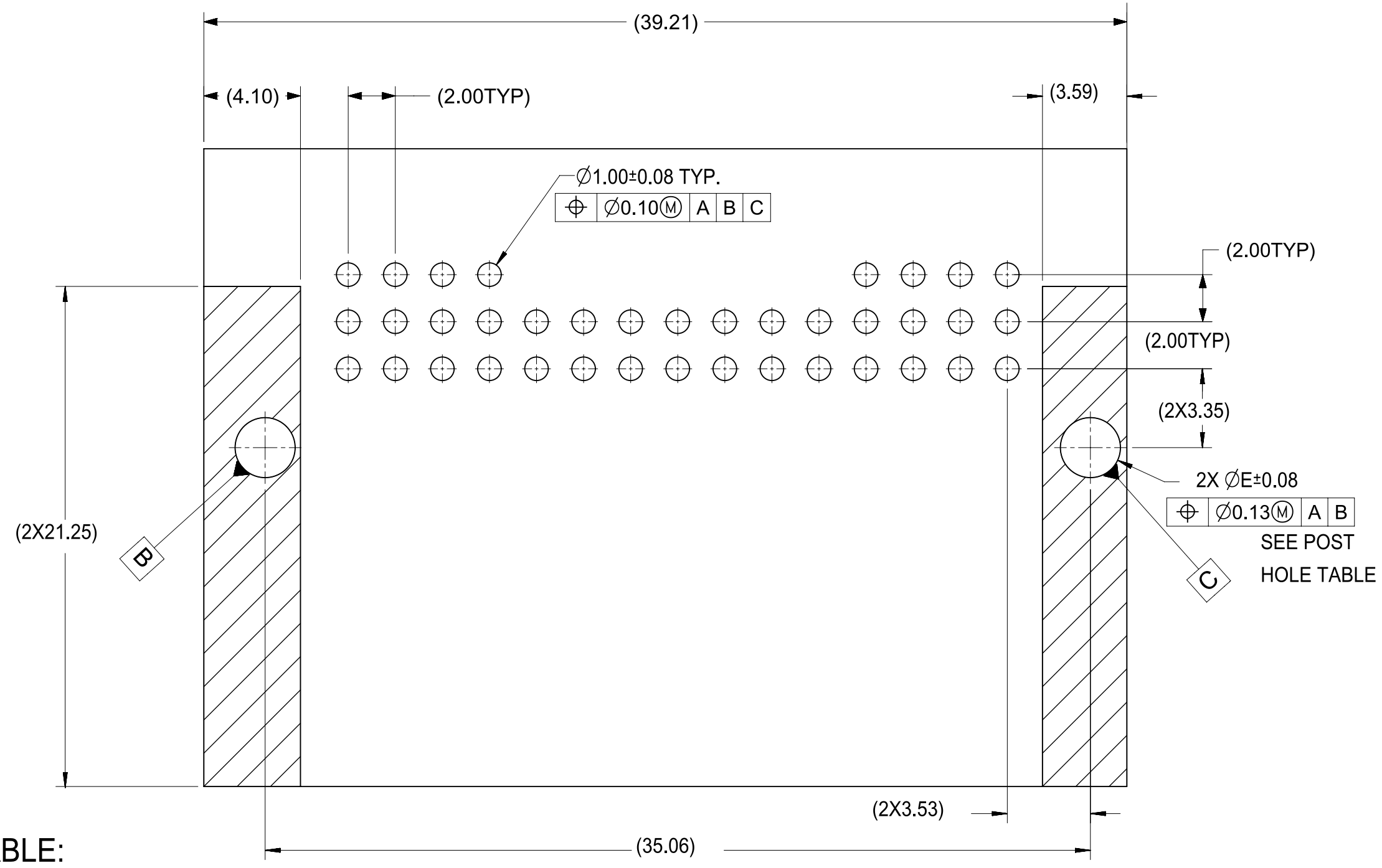
B	SHEET 2: ADDED NEW PART NUMBER IN CHART SHEET 2: UPDATE PRODUCT STATUS IN CHART SHEET 3: ADDED SHEET TO SHOW PIN INSERTION DIRECTION VIEW AND PAP HOLE SHAPE VIEW	CO-000009 10
A11	1. SHEET 1: UPDATED NOTES INFORMATION 2. SHEET 2: ADDED SHEET TO SHOW PIN CONFIGURATION TABLE 3. SHEET 2: ADDED NEW PART NUMBER 4. SHEET 4: ADDED "BEFORE SOLDERING" NOTE TO DIM 3 5. SHEET 4: ADDED DIM 3A	663659
A10	1. SHEET 1: ADDED PART NUMBER 34961-1343; 34961-9343; 34961-1344; 34961-1345 2. SHEET 1: STATUS OF 2133551341; 2133559341; 2133551342; 2133559342: WAS OK TO TOOL 3. SHEET 1: ADDED GENERAL TOLERANCE TABLE PER DIN 16961 4. SHEET 1: ADDED FULL LOADED HEADER SD DRAWING NUMBER IN NOTE_1b 5. SHEET 3: REMOVED THE BALLOON NUMBER FOR DIMENSION OF PCB LAYOUT 6. SHEET 3: DIM5 WAS 16.60	636289
A9	1. UPDATED BELOW V0 PART NUMBER STATUS TO SALEABLE IN SHEET 1: 2133551340, 2133559340 2. ADDED V0 VALIDATION SPECIFICATION AND V0 PRODUCT SPECIFICATION INFORMATION IN NOTES. 3. UPDATED V0/HB DIFFERENT FEATURE VIEWS IN SHEET 2.	631855
A8	1. ADDED NEW V0 PART NUMBER IN SHEET 1: 2133551340 / 2133551341 / 2133551342 2133559340 / 2133559341 / 2133559342 2. ADDED V0 MATERIAL INFORMATION IN NOTES 3. ADDED SHEET 2 TO SHOW THE POLARIZATION OPTION VIEW AND V0/HB DIFFERENT FEATURE VIEWS	625904
A7	ADDED NEW PART NUMBER IN SHEET 1: 34961-1382/34961-1383/34961-1384 34961-9382/34961-9383/34961-9384	613431
A6	1. ADDED NEW MINI50 38WAY PART NUMBER IN SHEET 1 2. ADDED MINI50 38WAY PCB LAYOUT IN SHEET 2 3. ADDED DIM17 & DIM18	611160
REV	REV DESCRIPTION	ECN SAP NO.

FUNCTIONAL SYMBOLS	THIS DRAWING CONTAINS INFORMATION THAT IS PROPRIETARY TO MOLEX ELECTRONIC TECHNOLOGIES, LLC AND SHOULD NOT BE USED WITHOUT WRITTEN PERMISSION		CURRENT REV DESC: REFER TO REVISION COLUMN		
	FA = 0	mm	SCALE	2:1	
DIVISIONAL SYMBOLS	GENERAL TOLERANCES (UNLESS SPECIFIED)		PHASE: Design Production		CO NO: CO-00000910 DRWN: Shanks Wu 2022-04-08 CHK'D: Ringo Hu 2022-04-29 APPR: Colin Zhang 2022-05-05
	FC = 0	ANGULAR TOL ± 1.0°		INITIAL REVISION:	
FUNCTIONAL SYMBOLS	FD = 0	4 PLACES	±	DRWN: Shanks Wu 2022-04-25	DOCUMENT NUMBER SD-34961-130
		3 PLACES	±	APPR: Colin Zhang 2022-05-05	
		2 PLACES	±	DRWN: Shanks Wu 2022-05-05	DOC TYPE
		1 PLACE	±	APPR: Colin Zhang 2022-05-05	DOC PART
		0 PLACES	±		REVISION
DRAFT WHERE APPLICABLE MUST REMAIN WITHIN DIMENSIONS		THIRD ANGLE PROJECTION	DRAWING	SERIES	MATERIAL NUMBER
			D-SIZE	34961	CUSTOMER
					SHEET NUMBER
					1 OF 5

TABLE OF CONTENTS	
SHEET NO.	SHEET DESCRIPTION
5	DETAIL DIMENSION VIEW REFERENCE PCB LAYOUT



REFERENCE 34WAY PCB LAYOUT



REFERENCE 38WAY PCB LAYOUT

POST HOLE TABLE:
FOR DIM E:

PRESS FIT:	2.15
DROP IN:	2.55

FUNCTIONAL SYMBOLS	THIS DRAWING CONTAINS INFORMATION THAT IS PROPRIETARY TO MOLEX ELECTRONIC TECHNOLOGIES, LLC AND SHOULD NOT BE USED WITHOUT WRITTEN PERMISSION	CURRENT REV DESC: REFER TO REVISION COLUMN	
	FA = 0	mm	SCALE 3:1
DIVISIONAL SYMBOLS	FE = 0	GENERAL TOLERANCES (UNLESS SPECIFIED)	
	FP = 0	ANGULAR TOL ± 1.0°	PHASE: Design Production
4 PLACES ±		CO NO: CO-00000910	2022-04-08
3 PLACES ±		DRWN: Shanks Wu	2022-04-29
2 PLACES ±		CHK'D: Ringo Hu	2022-05-05
1 PLACE ±		APPR: Colin Zhang	
0 PLACES ±		INITIAL REVISION:	
DRAFT WHERE APPLICABLE MUST REMAIN WITHIN DIMENSIONS		DRWN: Shanks Wu	2022-04-25
THIRD ANGLE PROJECTION		APPR: Colin Zhang	2022-05-05
DRAWING D-SIZE		SERIES 34961	
MATERIAL NUMBER		CUSTOMER GENERAL MARKET	SHEET NUMBER 5 OF 5

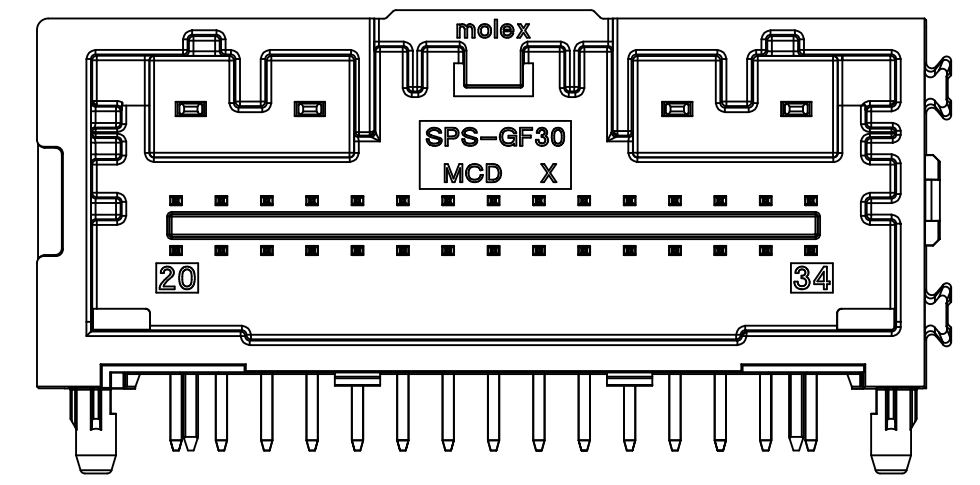
molex

34&38CKT MINI50
DEPOPULATED PINS HEADER SALES DRAWING

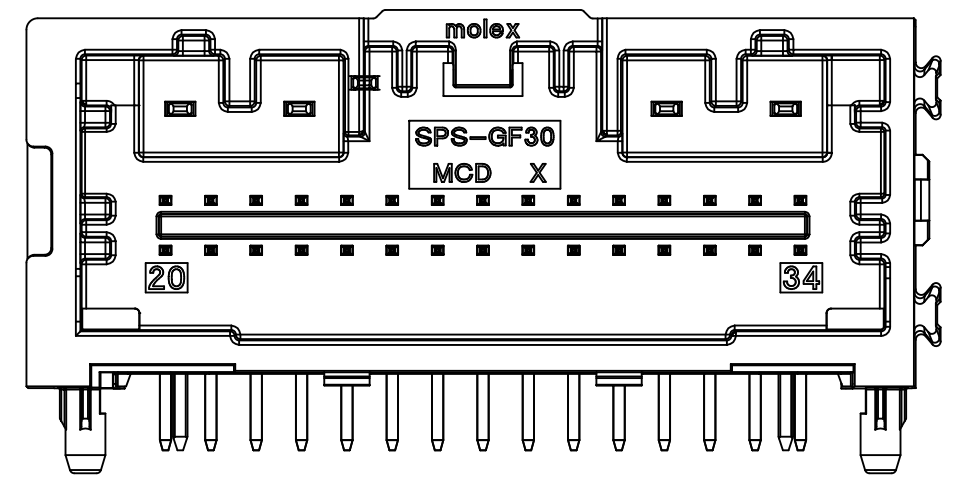
PRODUCT SALES DRAWING

DOCUMENT NUMBER SD-34961-130 DOC TYPE PSD DOC PART 001 REVISION B

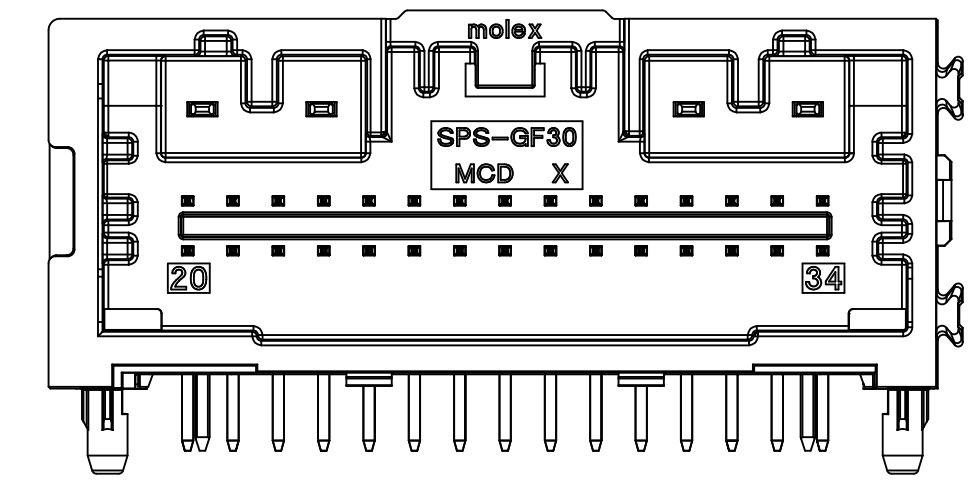
TABLE OF CONTENTS	
SHEET NO.	SHEET DESCRIPTION
3	34&38WAY POLARIZATION OPTION VIEW, HB/V0 VERSION DIFFERENCE



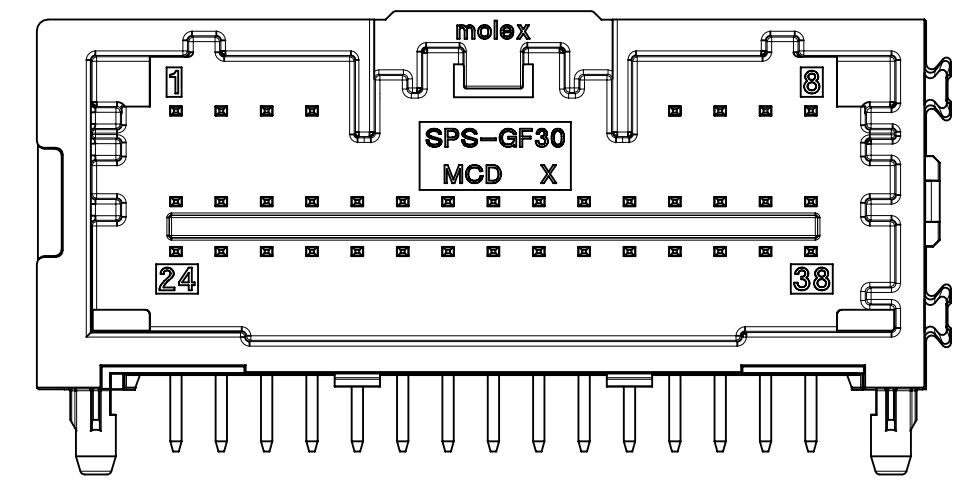
34CTK POLARIZATION OPTION 'A'



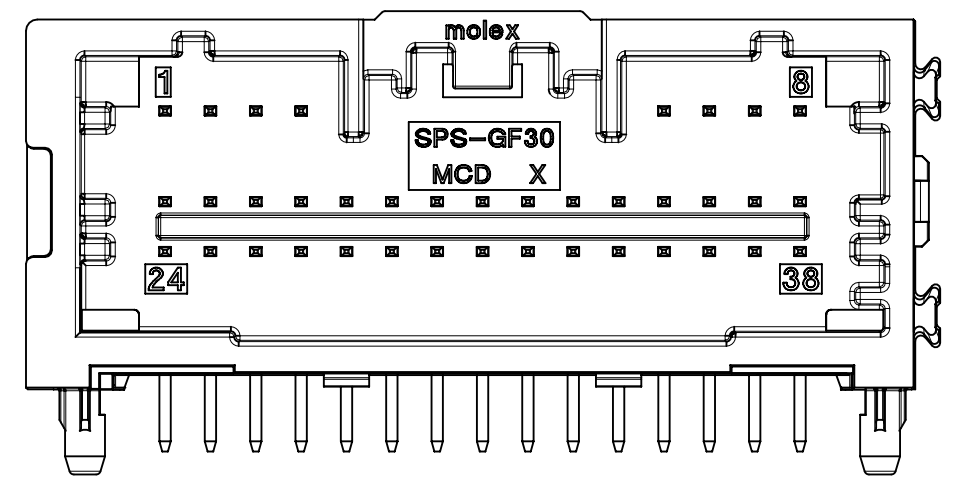
34CTK POLARIZATION OPTION 'B'



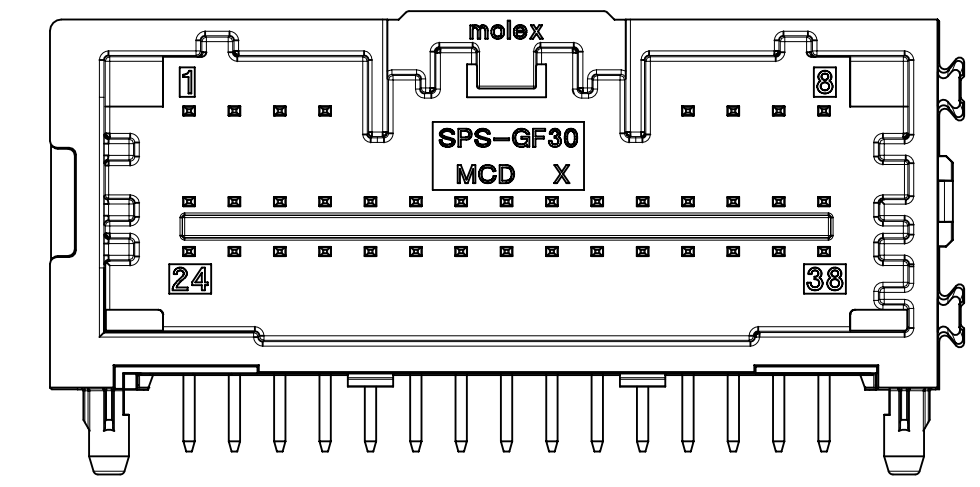
34CTK POLARIZATION OPTION 'C'



38CTK POLARIZATION OPTION UPDATED 'A'

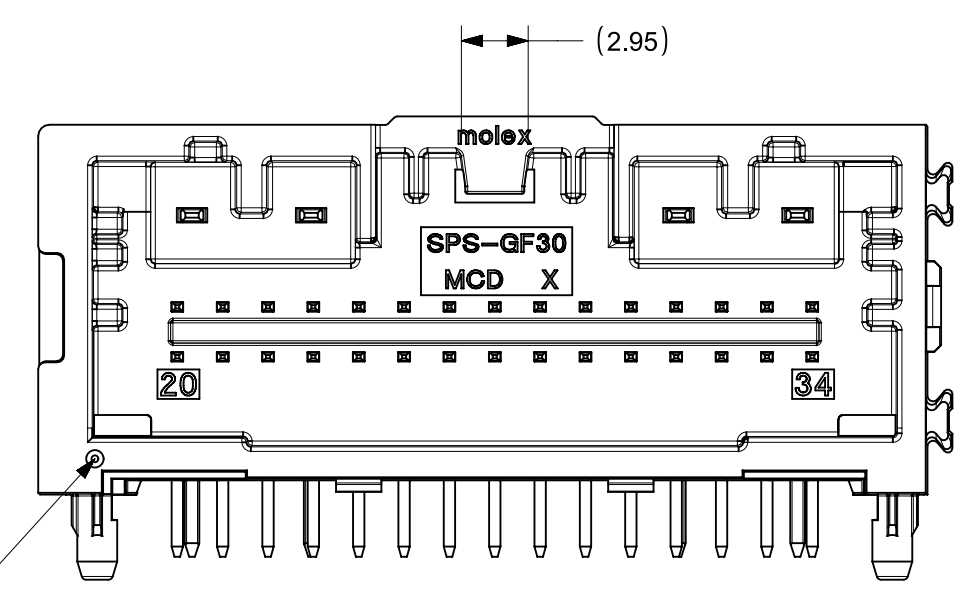


38CTK POLARIZATION OPTION UPDATED 'B'

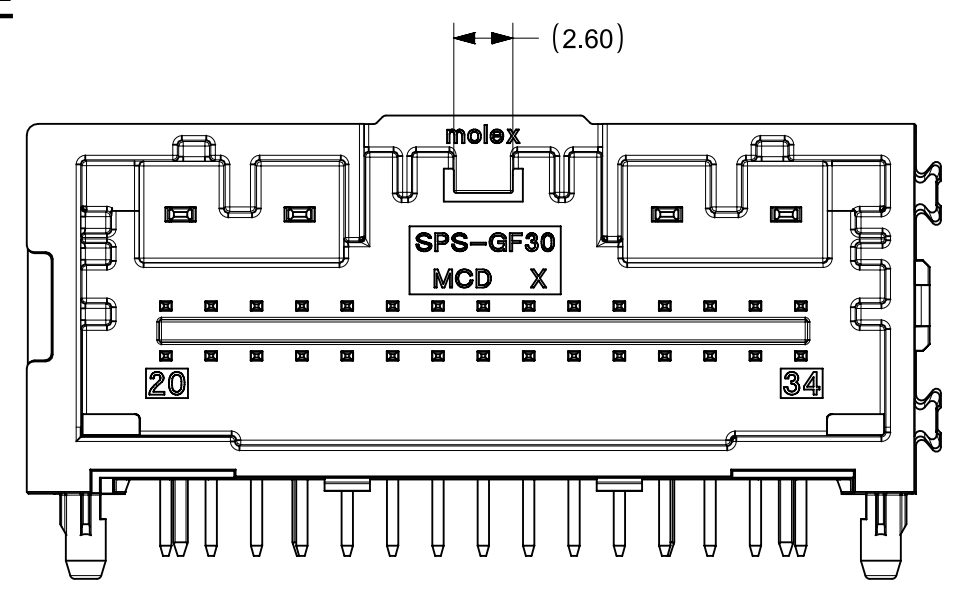


38CTK POLARIZATION OPTION UPDATED 'C'

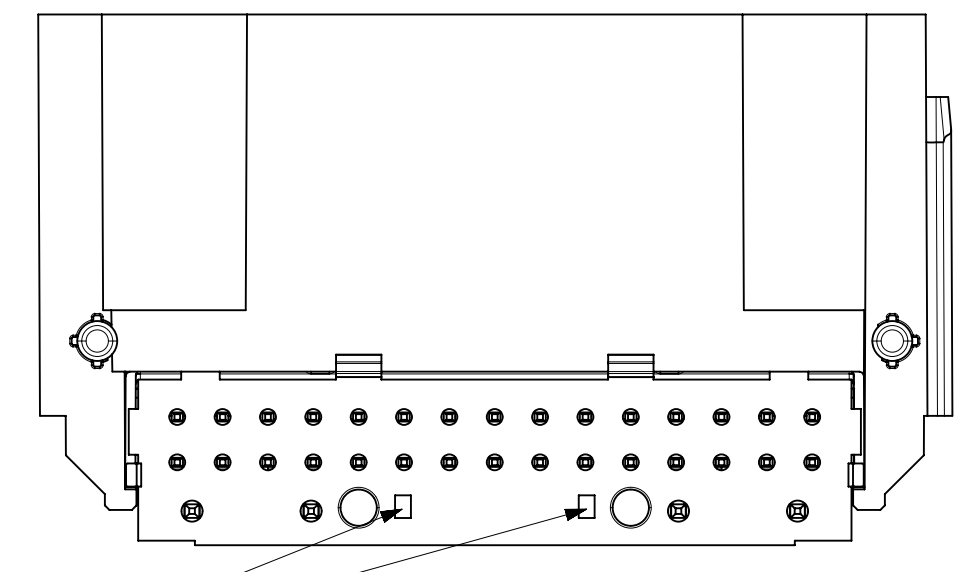
HB / V0 VERSION DIFFERENCE



DEPRESSION FEATURE ADDED TO V0 PART TO DISTINGUISH FROM HB PART



HB P/Ns: 34961XXXX
APPLIES TO ALL CKT SIZES, USE 34CTK AS SHOWN



HOLE FEATURE ADDED TO V0 PART TO DISTINGUISH FROM HB PART

V0 P/Ns: 213355XXXX
APPLIES TO ALL CKT SIZES, USE 34CTK AS SHOWN

FUNCTIONAL SYMBOLS $F_A = 0$ $F_C = 0$ $F_P = 0$ DIVISIONAL SYMBOLS	THIS DRAWING CONTAINS INFORMATION THAT IS PROPRIETARY TO MOLEX ELECTRONIC TECHNOLOGIES, LLC AND SHOULD NOT BE USED WITHOUT WRITTEN PERMISSION		CURRENT REV DESC: REFER TO REVISION COLUMN	
	DIMENSION UNITS	SCALE		
	mm	3:1		
	GENERAL TOLERANCES (UNLESS SPECIFIED)		PHASE: Design Production	
ANGULAR TOL ± 1.0°		CO NO: CO-000000910		
4 PLACES ±	DRWN: Shanks Wu		2022-04-08	
3 PLACES ±	CHK'D: Ringo Hu		2022-04-29	
2 PLACES ±	APPR: Colin Zhang		2022-05-05	
1 PLACE ±	INITIAL REVISION:			
0 PLACES ±	DRWN: Shanks Wu		2022-04-25	
DRAFT WHERE APPLICABLE MUST REMAIN WITHIN DIMENSIONS		APPR: Colin Zhang		2022-05-05
THIRD ANGLE PROJECTION		DRAWING	SERIES	MATERIAL NUMBER
		D-SIZE	34961	GENERAL MARKET
				CUSTOMER
				SHEET NUMBER
				3 OF 5

molex

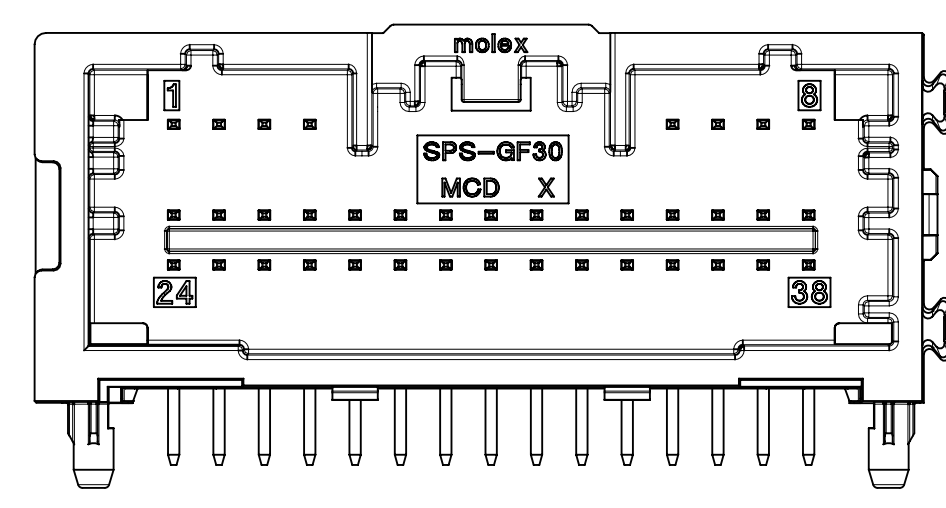
34&38CTK MINI50
DEPOPULATED PINS HEADER SALES DRAWING

PRODUCT SALES DRAWING

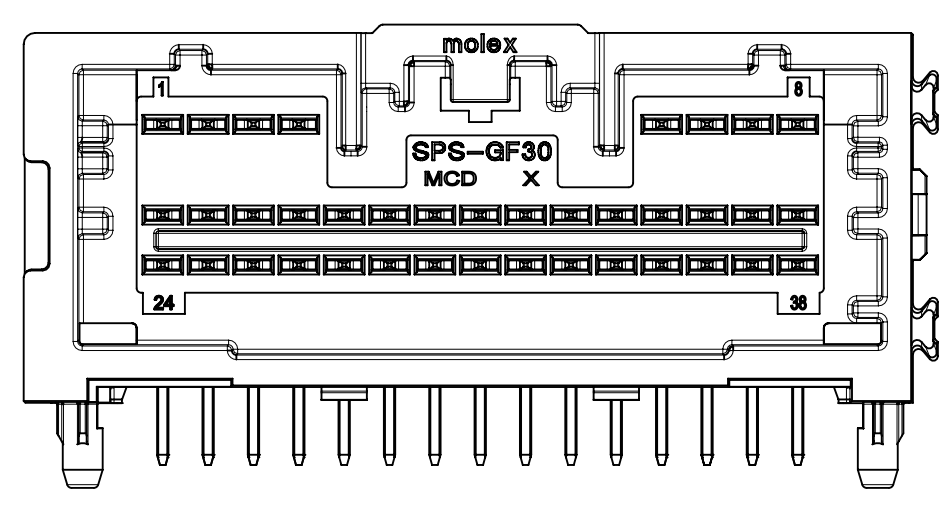
DOCUMENT NUMBER: SD-34961-130
DOC TYPE: PSD
DOC PART: 001
REVISION: B

TABLE OF CONTENTS	
SHEET NO.	SHEET DESCRIPTION
4	PIN INSERTION DIRECTION VIEW PAP HOLE SHAPE VIEW

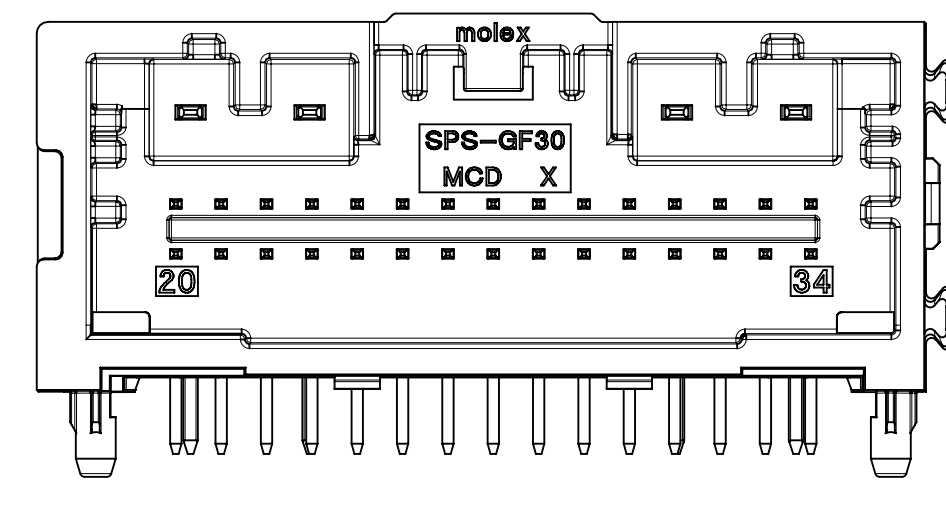
PIN INSERTION DIRECTION VIEW



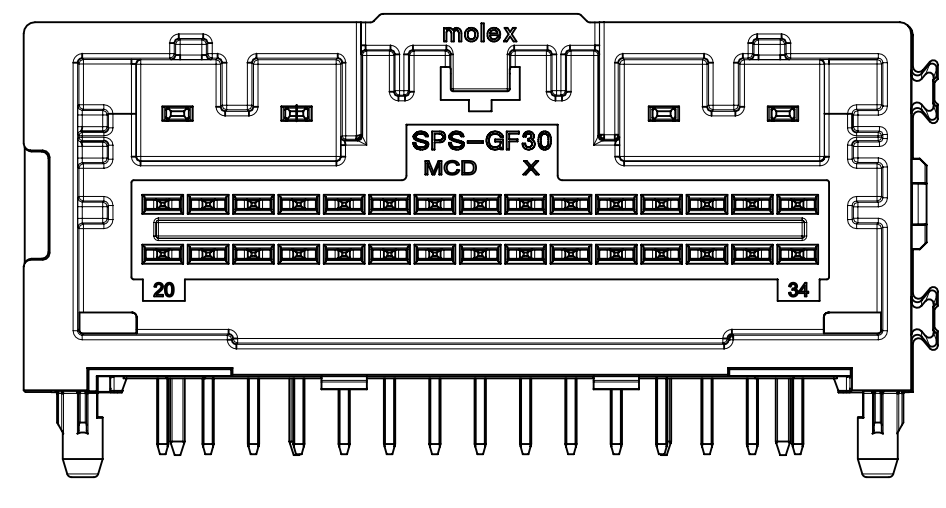
38CKT PIN INSERTION DIRECTION
PCB SIDE TO MATING SIDE



38CKT PIN INSERTION DIRECTION
MATING SIDE TO PCB SIDE

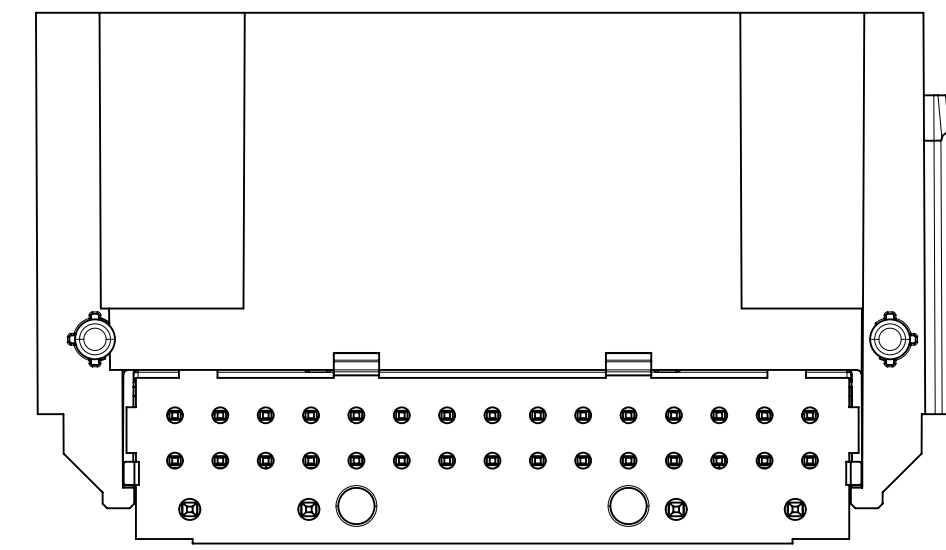


34CKT PIN INSERTION DIRECTION
PCB SIDE TO MATING SIDE

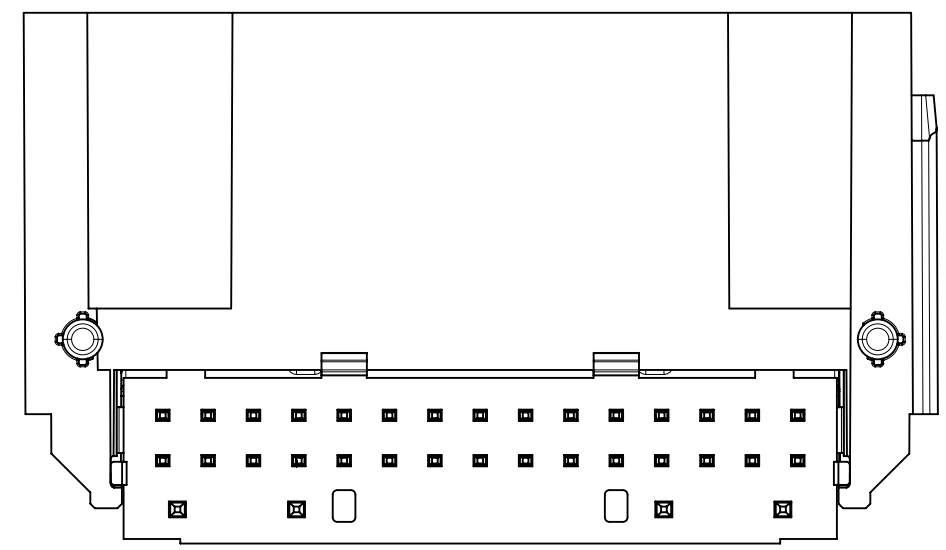


34CKT PIN INSERTION DIRECTION
MATING SIDE TO PCB SIDE

PAP HOLE SHAPE VIEW



PAP HOLE SHAPE
ROUND



PAP HOLE SHAPE
SQUARE

FUNCTIONAL SYMBOLS $F_A = 0$ $F_C = 0$ $F_P = 0$	THIS DRAWING CONTAINS INFORMATION THAT IS PROPRIETARY TO MOLEX ELECTRONIC TECHNOLOGIES, LLC AND SHOULD NOT BE USED WITHOUT WRITTEN PERMISSION		CURRENT REV DESC: REFER TO REVISION COLUMN		
	DIMENSION UNITS	SCALE	 34&38CKT MINI50 DEPOPULATED PINS HEADER SALES DRAWING PRODUCT SALES DRAWING		
	mm	1:1			
	GENERAL TOLERANCES (UNLESS SPECIFIED)				
ANGULAR TOL ± 1.0°					
DIVISIONAL SYMBOLS	4 PLACES	±	PHASE: Design Production		
	3 PLACES	±	CO NO: CO-000000910		
	2 PLACES	±	DRWN: Shanks Wu	2022-04-08	
	1 PLACE	±	CHK'D: Ringo Hu	2022-04-29	
DRAFT WHERE APPLICABLE MUST REMAIN WITHIN DIMENSIONS		THIRD ANGLE PROJECTION	APPR: Colin Zhang	2022-05-05	
		 D-SIZE	SERIES	34961	
			MATERIAL NUMBER	GENERAL MARKET	
			CUSTOMER	4 OF 5	
			DOCUMENT NUMBER	SD-34961-130	
			DOC TYPE	PSD	
			DOC PART	001	
			REVISION	B	