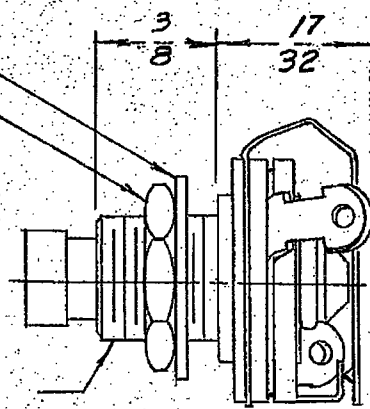


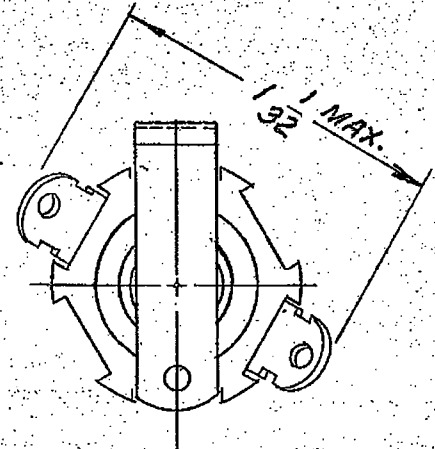
FR

202

5/8 O.D. STL. WASHER  
NI. PL.  
1/2 NUT. BRASS PL.



3/8-32 UNEF-2 TH'D



SCHEMATIC

MATERIALS:

1. BUSHING - BRASS - NI. PL.
2. SPRINGS - NI. SILVER. - SPG. TEMP.
3. SPACERS - PAPER BASE PHENOLIC
4. PUSHBUTTON - BLACK

CUSTOMER DRAWING

ISS	REV	DATE	BY	REVISION
1		5-9-64	RT	FREDERICK N
2		5-14-64	FW	ECO 14111
3		5-19-64	TD	ECO 20627

THIS DRAWING DESCRIBES A DESIGN CONSIDERED PROPRIETARY IN NATURE, DEVELOPED AND MANUFACTURED BY SWITCHCRAFT, INC., AND IS RELEASED ON A CONFIDENTIAL BASIS FOR IDENTIFICATION PURPOSE ONLY.

UNLESS OTHERWISE SPECIFIED:

- 1 - DECIMAL DIMENSIONS ± .005
- 2 - FRACTIONAL DIMENSIONS ± 1/64
- 3 - ANGLES ± 1/2°
- 4 - ALL DIA'S CONCENTRIC WITHIN .005 T.I.R.
- 5 - ALL DIMENSIONS IN INCHES
- 6 - FOR THREADS USE UNIFIED PLUG AND RING GAGES ONLY.
- 7 - REMOVE ALL BURRS.
- 8 - PART TO BE FABRICATED AS SPECIFIED. MAKE NO DIMENSIONAL ALLOWANCES FOR APPLIED FINISHES, I.E., PLATING, PAINTING, ETC.
- 9 - HOLES ON SAME CENTERLINE MUST BE ALIGNED WITHIN ± .002

DO NOT SCALE DRAWING

DRAWN BY <i>A.P.W.</i>	DATE 5-6-64	FINISH
CHECKED BY <i>C.J.W.</i>	DATE 5-14-64	PER FINISH SPEC. NO.
APPROVED BY <i>L.G.</i>	DATE 5-19-64	MATERIAL
SCALE 2:1	PER MAT. SPEC. NO.	
FIRST USED ON	<b>SWITCHCRAFT</b>	
NAME NON-LOCKING LITTEL SWITCH	PART NO. 202	ISSUE B
SHEET		OF