

4

3

2

1

THIS DRAWING IS UNPUBLISHED.

RELEASED FOR PUBLICATION

20

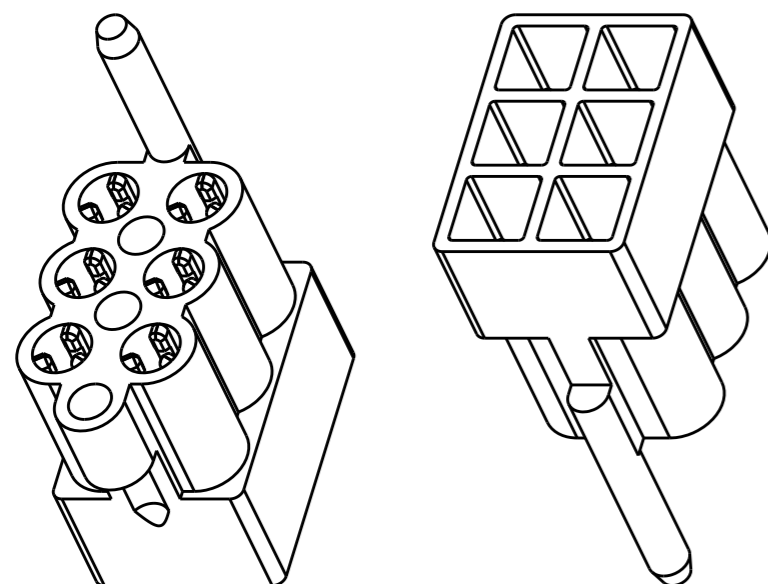
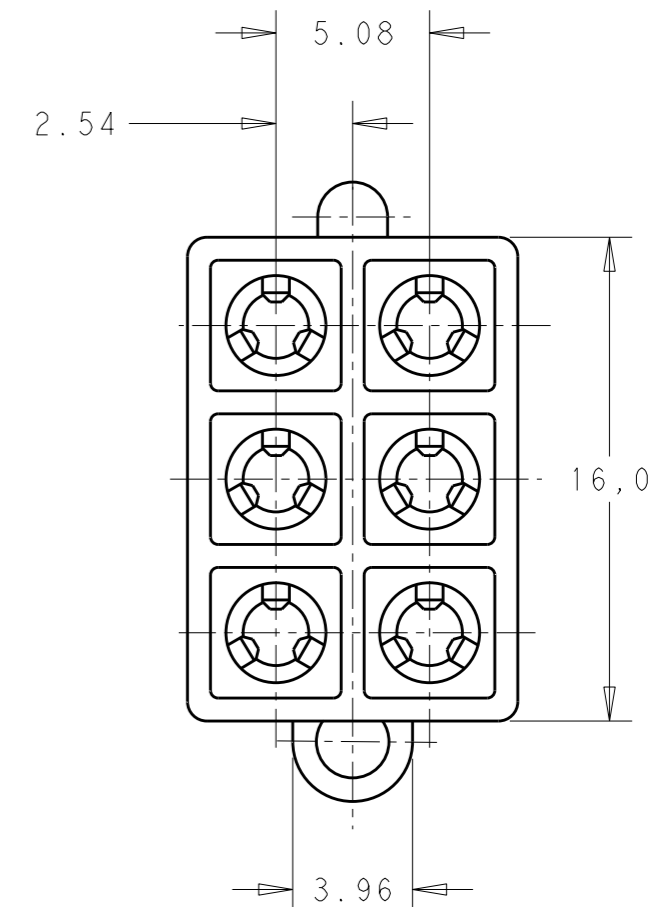
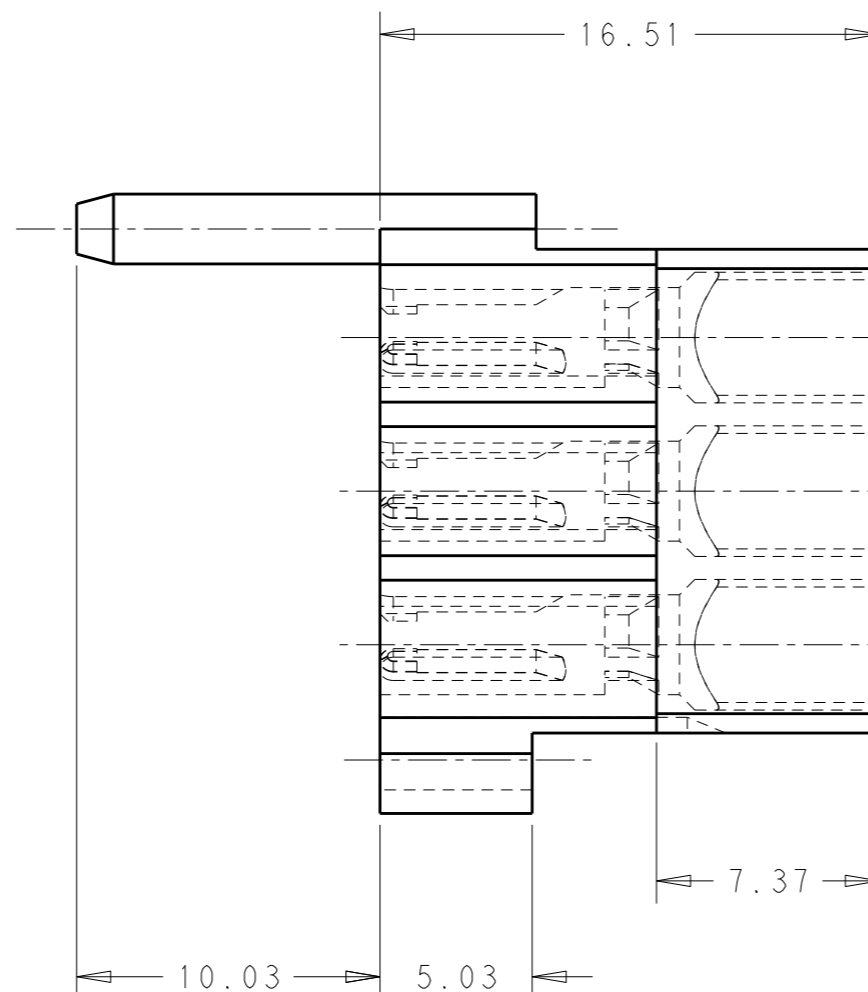
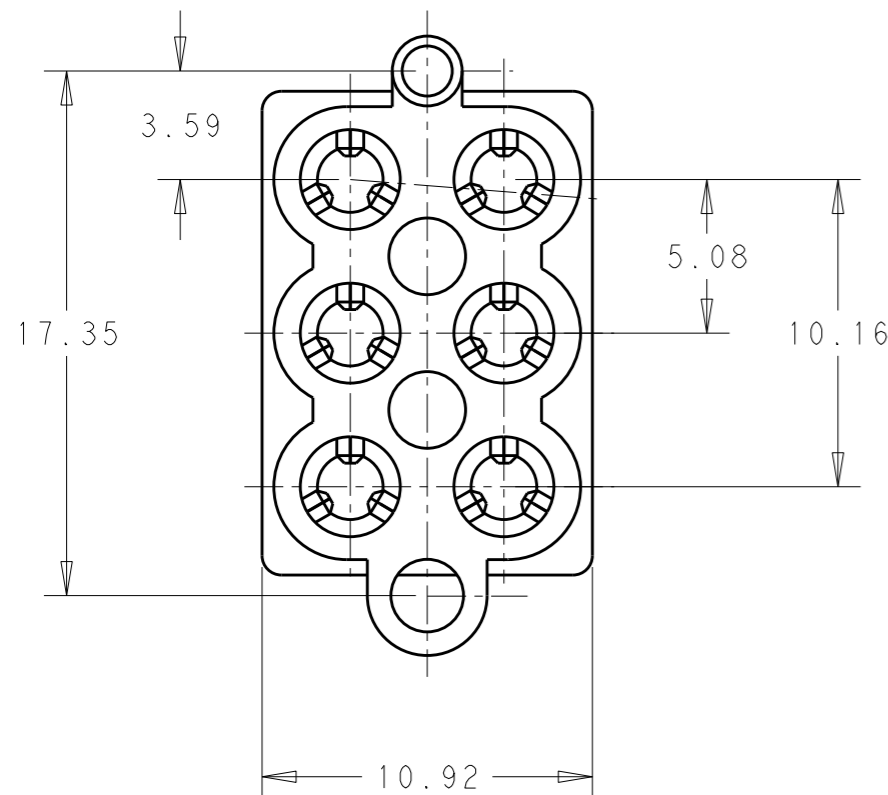
© COPYRIGHT 20

ALL RIGHTS RESERVED.

LOC AP DIST -

REVISIONS

| P | LTR | DESCRIPTION              | DATE      | DWN | APVD |
|---|-----|--------------------------|-----------|-----|------|
|   | A   | REVISED BY ECO 11-014179 | 07FEB2012 | HC  | WLS  |
|   |     |                          |           |     |      |
|   |     |                          |           |     |      |



|         |          |             |
|---------|----------|-------------|
| NATURAL | PA - 6.6 | 152304-5    |
| FINISH  | MATERIAL | PART NUMBER |

THIS DRAWING IS A CONTROLLED DOCUMENT.

|             |  |
|-------------|--|
| DIMENSIONS: | TOLERANCES UNLESS OTHERWISE SPECIFIED: |
| mm          |  |
|             | 0 PLC ±-                               |
|             | 1 PLC ±0,4                             |
|             | 2 PLC ±0,4                             |
|             | 3 PLC ±-                               |
|             | 4 PLC ±-                               |
|             | ANGLES ±1°                             |
| MATERIAL    | FINISH                                 |
| -           | -                                      |

|                  |             |
|------------------|-------------|
| DWN              | 05MAY2011   |
| CHK              | H.C.CANTERI |
| APVD             | 06MAY2011   |
| NAME             | W.L.STEFANI |
| PRODUCT SPEC     | -           |
| APPLICATION SPEC | -           |
| WEIGHT           | -           |

|                                     |           |            |               |
|-------------------------------------|-----------|------------|---------------|
| <b>STE</b> TE Connectivity          |           |            |               |
| 6 WAY SOCKET HOUSING FOR P.C. BOARD |           |            |               |
| SIZE                                | CAGE CODE | DRAWING NO | RESTRICTED TO |
| A3                                  | 00779     | C-152304   | -             |

CUSTOMER DRAWING SCALE 4/1 SHEET 1 OF 1 REV A