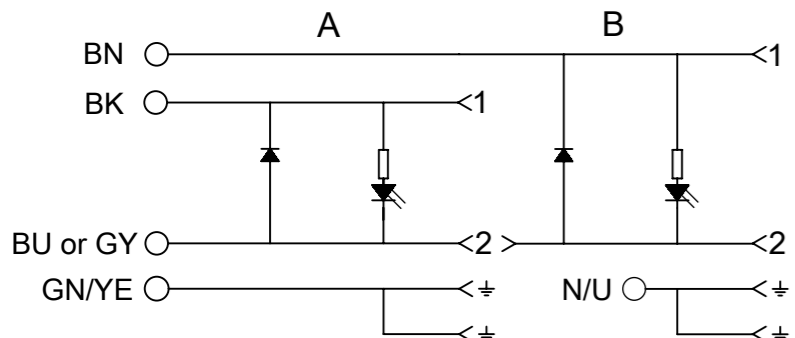
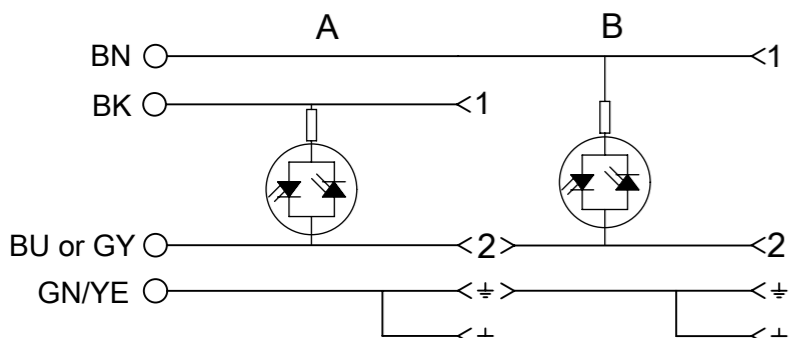


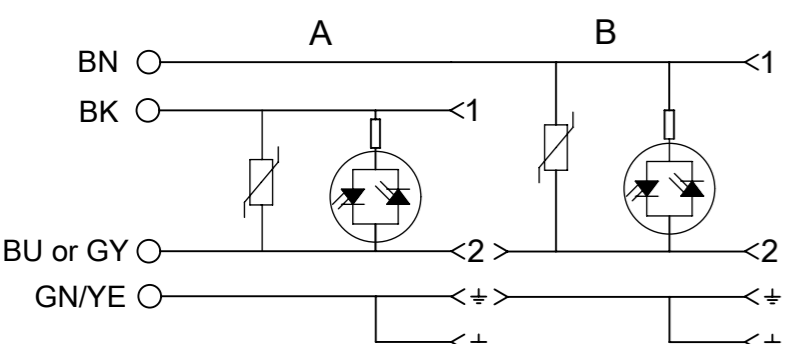
ELECTRICAL DIAGRAM - C3



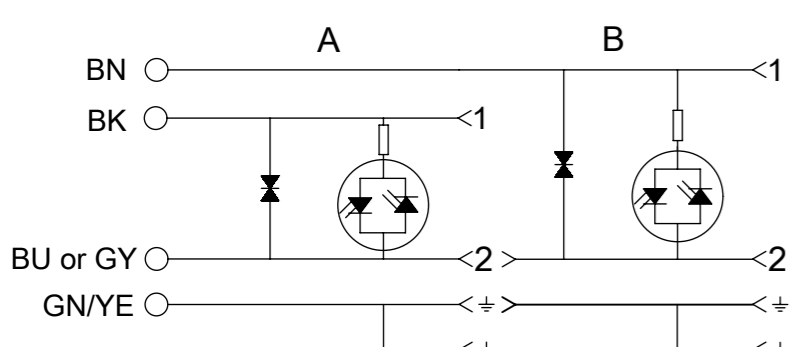
ELECTRICAL DIAGRAM - A1



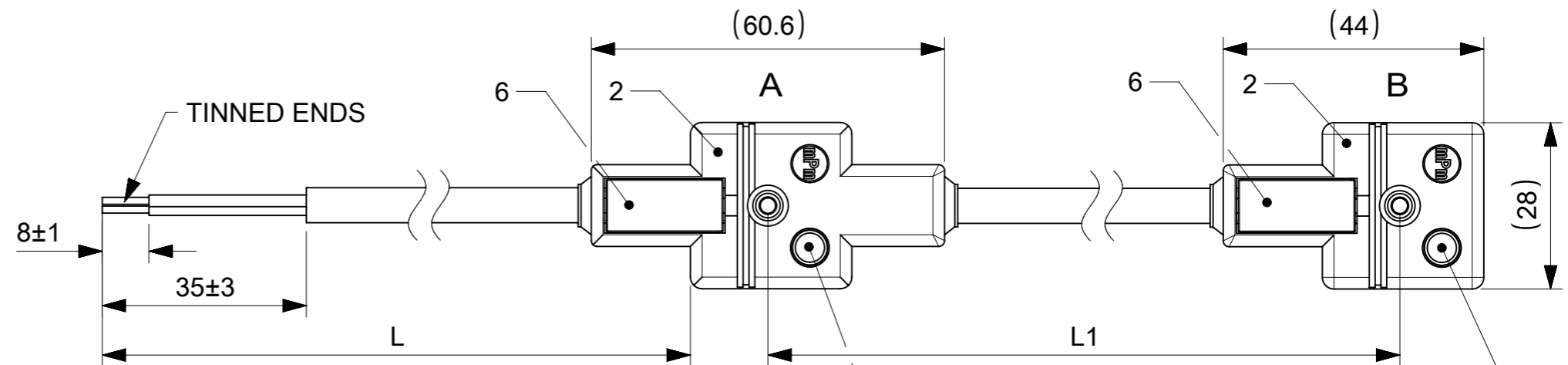
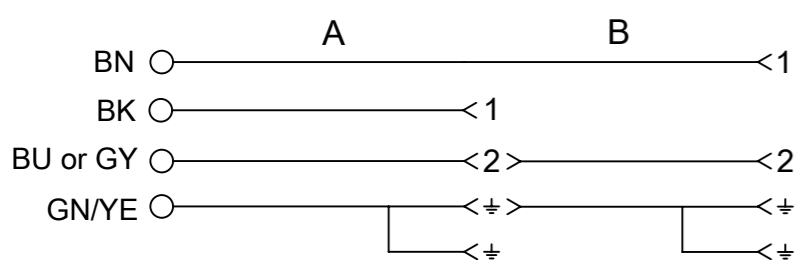
ELECTRICAL DIAGRAM - C4



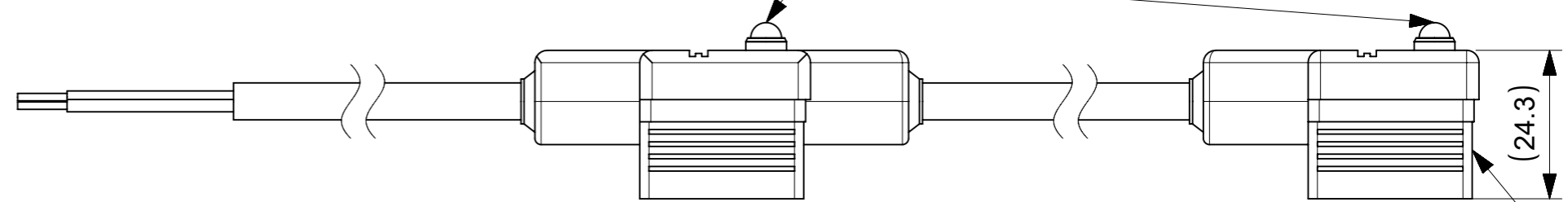
ELECTRICAL DIAGRAM - S0



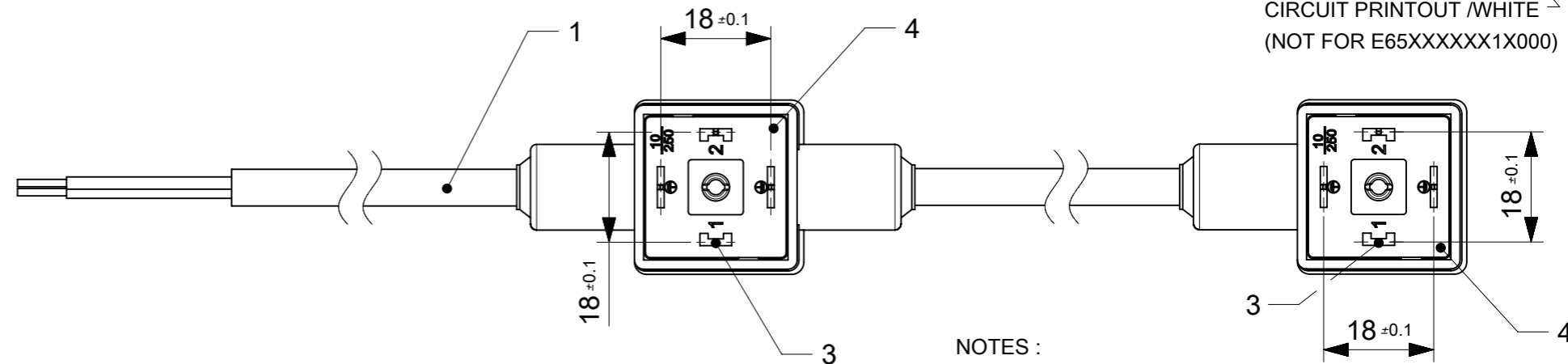
ELECTRICAL DIAGRAM - 00



IN CASE OF E65XXXXXX1X000, WITHOUT LED



CIRCUIT PRINTOUT /WHITE (NOT FOR E65XXXXXX1X000)



NOTES :

- ELECTRICAL - CURRENT : MAX. 5.0A
- CONTACT RESISTANCE : ≤15 milliohms MAX.
- INSULATION RESISTANCE : 100 Megaohms MIN.
- PHYSICAL - OPERATING TEMPERATURE WITH : NITRILE RUBBER (NBR) GASKET : -40°C TO +90°C
- LIVE CONTACT DISTANCE : FORM A - 18.00mm
- ENVIRONMENTAL - IP65 SEALING PROTECTION(FIXING SCREW)

BILL OF MATERIALS

ITEM	QTY.	DESCRIPTION	MATERIAL	FINISH
12	0/2	INTEGRATED GASKET	NBR	-
11	0/2	WASHER	NBR	-
10	0/2	SCREW M3x27	STEEL	ZINC
9	0/2	FLAT GASKET	NBR/SILICONE	-
8	0/2	PROFILE GASKET	NBR/SILICONE	-
7	0/2	SCREW M3x25	STEEL	ZINC
6	2	LABEL WHITE	ABS	-
5	0/2	PCB	-	-
4	2	INSERT DIN A	PA66+25%G V0	-
3	8	CONTACT DIN	BRASS	SILVER
2	-	MOULDING MATERIAL	PP	-
1	-	CABLE (SEE SHEET 3)	-	-

THIS DRAWING CONTAINS INFORMATION THAT IS PROPRIETARY TO MOLEX ELECTRONIC TECHNOLOGIES, LLC AND SHOULD NOT BE USED WITHOUT WRITTEN PERMISSION

DIMENSION UNITS	SCALE	CURRENT REV DESC: OBSOLETE PART NUMBERS	
mm	1:1		
GENERAL TOLERANCES (UNLESS SPECIFIED)			
ANGULAR TOL	± 1.0°		
4 PLACES	±	EC NO: 650268	2020/10/29
3 PLACES	±	DRWN: SUGEEB	2020/12/18
2 PLACES	± 0.05	CHK'D: GGA	2020/12/18
1 PLACE	± 0.3	APPR: GGA	2020/12/18
0 PLACES	± 0.5	INITIAL REVISION:	
DRAFT WHERE APPLICABLE MUST REMAIN WITHIN DIMENSIONS		DRWN: SSM	2020/07/31
THIRD ANGLE PROJECTION		APPR: RSILLER	2020/09/04
DRAWING	SERIES	MATERIAL NUMBER	CUSTOMER
A3-SIZE	121055	SEE SHEET 4	GENERAL MARKET
DOCUMENT NUMBER		DOC TYPE	DOC PART
1210550038		PSD	000
REVISION		SHEET NUMBER	
A1		1 OF 4	

ENGINEERING No. MATRIX

E 6 5 3 X X X X X X 1 X X X X

E - Packing without bag
W - Single Packing
Q - Quick Packing

Number of Wires
2 - 2 Poles
3 - 2 Poles + Ground
A - M12 STR , B - 90°

Cable type:
See Table

Head Colour:
G - Grey
N - Black
A - CSA-UL Black
B - CSA-UL Grey

Cable Length in Meters (L):
A=1
B=1.5
C=2
D=2.5
E=3
F=3.5
G=4
H=4.5
L=5
M=5.5
N=6
P=6.5
Q=7
R=7.5
S=8
T=8.5
U=9
K=10

Cable Length in cm Between 2 connectors (L1)
15=15 cm
30=30 cm
1K=100 cm
min length=13 cm

Earth PIN Location:
1=6/12 - earth on 6H/12H
2=12/1 earth on 12H
6=6/1 1 earth on 6H

Internal Circuit
see Wiring Configuration

Type of Gasket and Screw:

- 1 = NBR Profile Gasket + Fixing Screw M3x25mm
- 2 = NBR Flat Gasket + Fixing Screw M3x25mm
- 3 = Silicone Profile Gasket + Fixing Screw M3x25mm
- 4 = Silicone Flat Gasket + Fixing Screw M3x25mm
- P = NBR Integrated Gasket + Fixing Screw with Washer M3x27mm Assembled on Connector
- R = NBR Integrated Gasket + Fixing Screw with Washer M3x27mm NOT Assembled on Connector
- T = NBR Profile Gasket + Fixing Screw with Washer M3x27mm

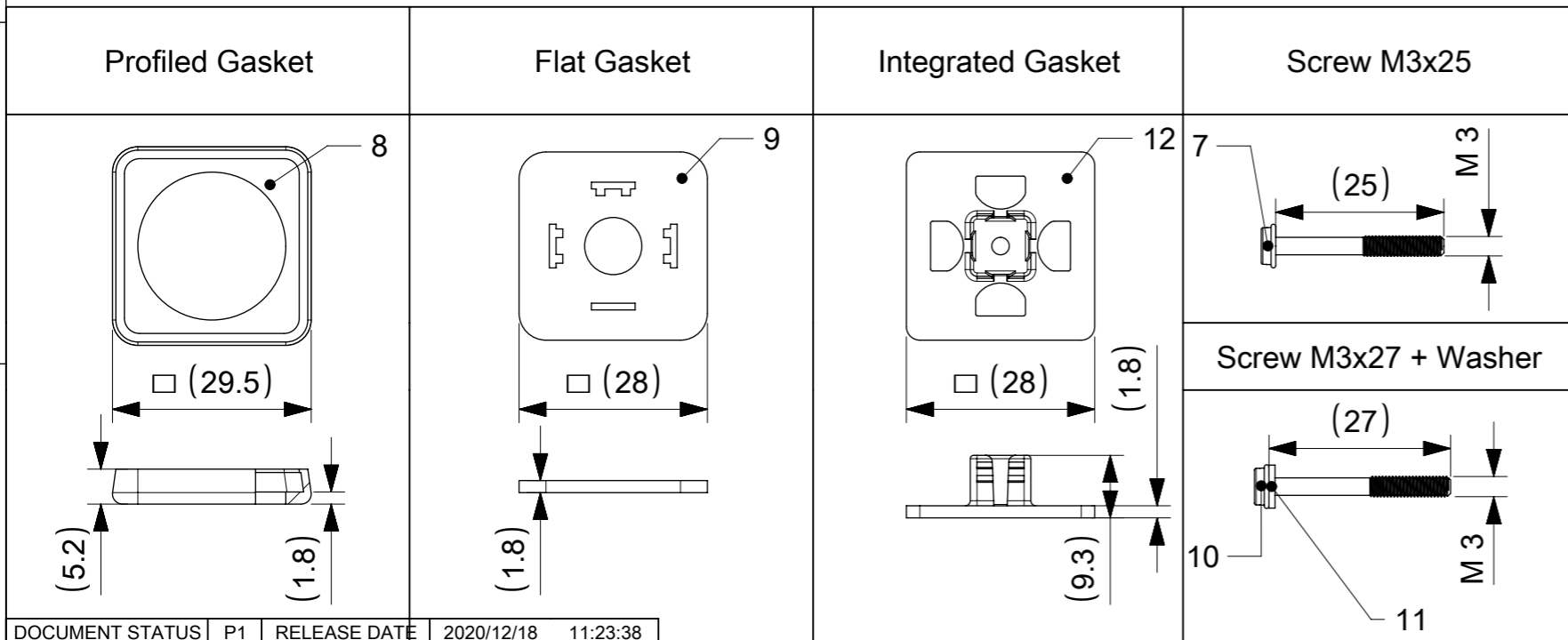
Voltage and LED color

1= 12V
2= 24V
3= 48V
4= 115V
5= 230V
RED LED

A= 12V
B= 24V
C= 48V
D= 115V
E= 230V
GREEN LED

G= 12V
H= 24V
K= 48V
L= 115V
M= 230V
YELLOW LED

Type of Screws and Gaskets


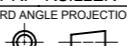


THIS DRAWING CONTAINS INFORMATION THAT IS PROPRIETARY TO MOLEX ELECTRONIC TECHNOLOGIES, LLC AND SHOULD NOT BE USED WITHOUT WRITTEN PERMISSION		CURRENT REV DESC: OBSOLETE PART NUMBERS		molex	
DIMENSION UNITS	SCALE				
mm	1:1			STANDARD E653 DIN FORM A	
GENERAL TOLERANCES (UNLESS SPECIFIED)				PRODUCT CUSTOMER DRAWING	
ANGULAR TOL	± 1.0°			DOCUMENT NUMBER	
4 PLACES	±	EC NO: 650268	2020/10/29	1210550038	
3 PLACES	±	DRWN: SUGEEB	2020/12/18	DOC TYPE	DOC PART
2 PLACES	± 0.05	CHK'D: GGA	2020/12/18	PSD	000
1 PLACE	± 0.3	APPR: GGA	2020/12/18	REVISION	A1
0 PLACES	± 0.5	INITIAL REVISION:		SHEET NUMBER	
DRAFT WHERE APPLICABLE MUST REMAIN WITHIN DIMENSIONS		DRWN: SSM	2020/07/31	MATERIAL NUMBER	CUSTOMER
THIRD ANGLE PROJECTION		APPR: RSILLER	2020/09/04	SEE SHEET 4	GENERAL MARKET
DRAWING		SERIES	121055	2 OF 4	
A3-SIZE					

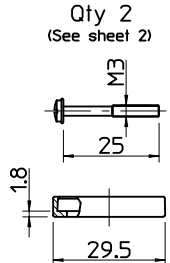
TABLE 1 - CABLES

mPm	Code	Wires	Cross Section	Material	Colour	Diameter ϕ
I	0	3	1 mm ²	PVC CEI 2022 II O.R.	Grey RAL7035	6.4±0.2 mm
A	2	2	20 AWG	PVC CSA/UL 2661	Black	5.4±0.2 mm
A	2	3	20 AWG	PVC CSA/UL 2661	Black	5.6±0.2 mm
A	2	4	20 AWG	PVC CSA/UL 2661	Black	6.2±0.25 mm
A	2	5	20 AWG	PVC CSA/UL 2661	Black	7±0.2 mm
B	2	2	20 AWG	PUR CSA/UL 20668	Black	5.6±0.2 mm
B	2	3	20 AWG	PUR CSA/UL 20668	Black	5.6±0.2 mm
B	2	4	20 AWG	PUR CSA/UL 20668	Black	6.2±0.2 mm
B	2	5	20 AWG	PUR CSA/UL 20668	Black	7±0.2 mm
D	2	3	0.5 mm ²	PVC TI2 CEI 20-20	Grey	5.5±0.2 mm
F	2	3	0.5 mm ²	CNEOMO	Grey RAL7000	5.5±0.2 mm
I	2	2	0.5 mm ²	PVC CEI 2022 II O.R.	Grey RAL7035	5.5+0.3/-0 mm
I	2	3	0.5 mm ²	PVC CEI 2022 II O.R.	Grey RAL7035	5.5+0.3/-0 mm
I	2	4	0.5 mm ²	PVC CEI 2022 II O.R.	Grey RAL7035	6.5±0.2 mm
I	2	5	0.5 mm ²	PVC CEI 2022 II O.R.	Grey RAL7035	7±0.2 mm
N	2	2	0.5 mm ²	PVCH03	Black	5.2±0.2 mm
N	2	3	0.5 mm ²	PVCH03	Black	5.5±0.2 mm
N	2	4	0.5 mm ²	PVCH03	Black	6.9 mm max
P	2	2	0.5 mm ²	PUR-BLEND	Black	5.5±0.2 mm
P	2	3	0.5 mm ²	PUR-BLEND	Black	5.5+0.3/-0 mm
P	2	4	0.5 mm ²	PUR-BLEND	Black	6.5±0.2 mm
P	2	5	0.5 mm ²	PUR-BLEND	Black	7+0.3/-0.1 mm
A	3	2	18 AWG	PVC CSA/UL 2661	Black	6.5±0.25 mm
A	3	3	18 AWG	PVC CSA/UL 2661	Black	6.5±0.25 mm
A	3	4	18 AWG	PVC CSA/UL 2661	Black	7±0.3 mm
A	3	5	18 AWG	PVC CSA/UL 2661	Black	7.8±0.25 mm
B	3	2	18 AWG	PUR CSA/UL 20668	Black	6.8±0.2 mm
B	3	3	18 AWG	PUR CSA/UL 20668	Black	6.5±0.2 mm
B	3	4	18 AWG	PUR CSA/UL 20668	Black	7±0.2 mm
B	3	5	18 AWG	PUR CSA/UL 20668	Black	7.8±0.2 mm
D	3	3	0.75 mm ²	PVC TI2 CEI 20-20	Grey	6.5±0.2 mm
D	3	4	0.75 mm ²	PVC TI2 CEI 20-20	Grey	7.1±0.2 mm
I	3	2	0.75 mm ²	PVC CEI 2022 II O.R.	Grey RAL7001	5.5±0.2 mm
I	3	3	0.75 mm ²	PVC CEI 2022 II O.R.	Grey RAL7035	6±0.2 mm
I	3	4	0.75 mm ²	PVC CEI 2022 II O.R.	Grey RAL7035	7±0.2 mm
N	3	2	0.75 mm ²	PVCH05	Black	6.2±0.2 mm
N	3	3	0.75 mm ²	PVCH05	Black	6.5±0.2 mm
N	3	4	0.75 mm ²	PVCH05	Black	7.1±0.2 mm
N	3	5	0.75 mm ²	PVCH05	Black	8.0+0.2/-0 mm
P	3	2	0.75 mm ²	PUR-BLEND	Black	6.5±0.2 mm

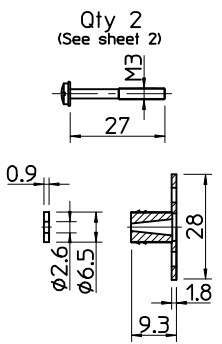
mPm	Code	Wires	Cross Section	Material	Colour	Diameter ϕ
P	3	3	0.75 mm ²	PUR-BLEND	Black	6.5±0.2 mm
P	3	4	0.75 mm ²	PUR-BLEND	Black	7±0.2 mm
R	3	3	0.75 mm ²	TPR HAL. FREE	Black	6.5±0.2 mm
T	3	3	0.75 mm ²	PUR CSA/UL	Yellow	6.5±0.2 mm
Y	3	3	0.75 mm ²	SIL/0300	Red	6.5±0.2 mm
F	4	3	1 mm ²	CNEOMO	Grey RAL7000	7.1+0.2/-0 mm
F	4	4	1 mm ²	CNEOMO	Grey RAL7000	7.1+0.2/-0 mm
I	4	2	1 mm ²	PVC CEI 2022 II O.R.	Grey RAL7035	7.1+0.2/-0 mm
I	4	3	1 mm ²	PVC CEI 2022 II O.R.	Grey RAL7035	7.1+0.2/-0 mm
N	4	2	1 mm ²	PVCH05	Black	6.5±0.2 mm
N	4	3	1 mm ²	PVCH05	Black	6.9±0.2 mm
R	4	3	1 mm ²	TPR HAL. FREE	Black	7.1±0.2 mm
N	5	3	1.5 mm ²	PVCH05	Black	8.3+0.2/-0 mm
I	6	2	0.35 mm ²	PVC CEI 2022 II O.R.	Grey RAL7035	4.8±0.2 mm
A	7	3	20 AWG	PVC CSA/UL 2661	Yellow	5.6±0.2 mm
I	9	4	0.75 mm ²	PVC CEI 2022 II O.R.	Grey RAL7035	7.3±0.2 mm

THIS DRAWING CONTAINS INFORMATION THAT IS PROPRIETARY TO MOLEX ELECTRONIC TECHNOLOGIES, LLC AND SHOULD NOT BE USED WITHOUT WRITTEN PERMISSION									
DIMENSION UNITS	SCALE	CURRENT REV DESC: OBSOLETE PART NUMBERS							
mm	1:1								
GENERAL TOLERANCES (UNLESS SPECIFIED)									
ANGULAR TOL	± 1.0°	STANDARD E653 DIN FORM A							
4 PLACES	±	PRODUCT CUSTOMER DRAWING							
3 PLACES	±	EC NO: 650268 DRWN: SUGEEB 2020/10/29 CHK'D: GGA 2020/12/18 APPR: GGA 2020/12/18							
2 PLACES	± 0.05	INITIAL REVISION:							
1 PLACE	± 0.3	DRWN: SSM 2020/07/31 APPR: RSILLER 2020/09/04							
0 PLACES	± 0.5	DOCUMENT NUMBER		DOC TYPE		DOC PART		REVISION	
DRAFT WHERE APPLICABLE MUST REMAIN WITHIN DIMENSIONS		1210550038		PSD		000		A1	
THIRD ANGLE PROJECTION		DRAWING		SERIES		MATERIAL NUMBER		CUSTOMER	
		A3-SIZE		121055		SEE SHEET 4		GENERAL MARKET	
								SHEET NUMBER	
								3 OF 4	

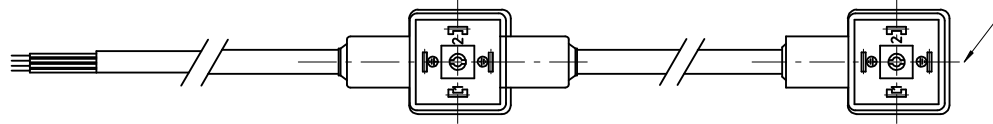
Screw M3x25
and Profile Gasket
Qty 2
(See sheet 2)



Screw M3x27
with Grommet
& Integrated Gasket
Qty 2
(See sheet 2)



CIRCUIT TAMPO PRINTOUT/WHITE
(Not for E65XXXXXX1X000)



IN CASE OF E65XXXXXX1X000 WITHOUT LED

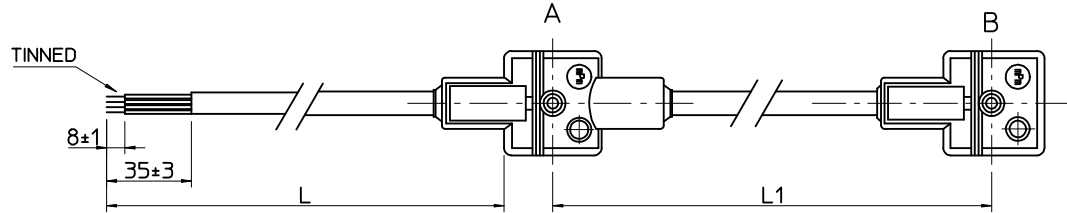
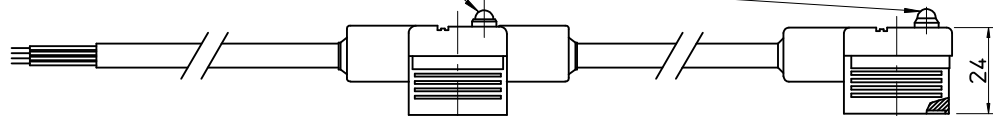
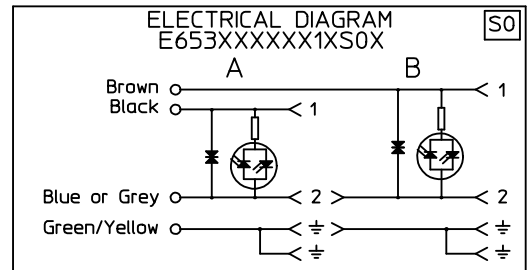
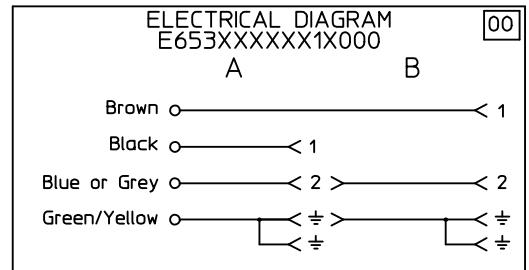
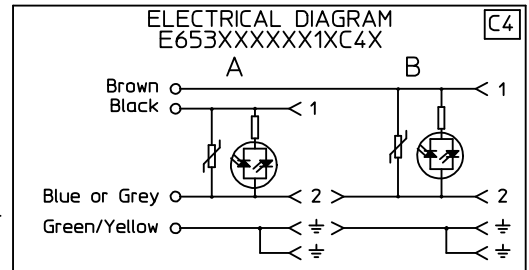
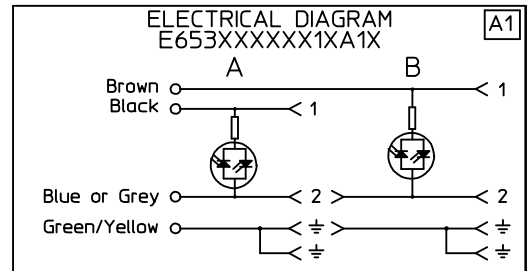
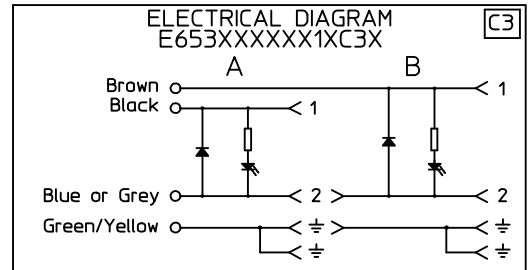


Table of length tolerances [mm]		
Over	Up to and including	Tolerance
0	1000	±20
1000	3000	±30
3000	5000	±40
5000	10000	±50
10000	15000	±100
15000	20000	±150
20000		±L/100

NOTE: Ground on schematics does not apply to E652XXXXXX1XXXX

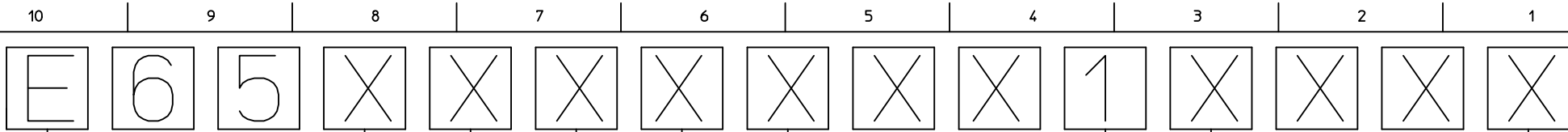


DRAWING UPDATE
EC NO: IPG2013-1505
DRWIN: JMARSZALEK 2013/03/28
CHKD: CHYKO
APPR: MIWASIECZKO 2013/04/02

QUALITY SYMBOLS	GENERAL TOLERANCES (UNLESS SPECIFIED)	
	mm	INCH
4 PLACES	± ---	± ---
3 PLACES	± ---	± ---
2 PLACES	± ---	± ---
1 PLACE	± ---	± ---
0 PLACE	± ---	± ---
	ANGULAR ± --- °	

DIMENSION STYLE	
MM ONLY	
DRAWN BY	DATE
JMARSZALEK	2013/01/16
CHECKED BY	DATE
MSZWAJKOWSKI	2013/01/16
APPROVED BY	DATE
MIWASIECZKO	2013/02/12
MATERIAL NO.	
SEE SHEET 2&3	

SCALE	DESIGN UNITS	FIRST ANGLE PROJECTION
	METRIC	
TITLE		
E65XXXXXX1XXXX DUAL DIN FORM A		
DOCUMENT NO.		SHEET NO.
SD-121055-001		1 OF 4
THIS DRAWING CONTAINS INFORMATION THAT IS PROPRIETARY TO MOLEX INCORPORATED AND SHOULD NOT BE USED WITHOUT WRITTEN PERMISSION		



E - Packing without bags
 W - Single packing
 Q - Quick packing

NUMBER OF WIRES:
 2=2 POLES
 3=2 POLES+GROUND

CABLE TYPE
 SEE TABLE 1

CABLE CROSS SECTION AREA
 SEE TABLE 2

HEAD COLOUR:
 G=GREY
 N=BLACK
 T=TRANSPARENT
 A=CSA-UL BLACK
 B=CSA-UL GREY

CABLE LENGTH IN METERS (L)
 A=1
 B=1,5
 C=2
 D=2,5
 E=3
 F=3,5
 G=4
 H=4,5
 L=5
 M=5,5
 N=6
 P=6,5
 O=7
 R=7,5
 S=8
 T=8,5
 U=9
 K=10

CABLE LENGTH IN CM BETWEN 2 MOULDINGS (L1)
 Eg.:050=50 CM, 300=300 CM, 10K=1000 CM

EARTH PIN LOCATION:
 1=DOUBLE EARTH ON 6H AND 12H,

TYPE OF GASKET AND SCREW:
 1=NBR PROFILE GASKET + FIXING SCREWS (M3x25 mm).
 2=NBR FLAT GASKET + FIXING SCREW (M3x25 mm).
 3=SILICONE PROFILE GASKET + FIXING SCREW (M3x25 mm).
 4=SILICON FLAT GASKET + FIXING SCREW (M3x25 mm).
 P=INTEGRATED GASKET ASSEMBLED + FIXING SCREW WITH GROMMET ASSEMBLED (M3x27 mm).
 R=INTAGRATED GASKET + FIXING SCREW + GROMMET (M3x27 mm).
 T=PROFILE GASKET + FIXING SCREW + GROMMET (M3x27 mm).

INTERNAL CIRCUIT
 WIRING CONFIGURATION

VOLTAGE AND LED COLOUR:

1= 12V	A= 12V	G= 12V
2= 24V	B= 24V	H= 24V
3= 48V	C= 48V	K= 48V
4= 115V	D= 115V	L= 115V
5= 230V	E= 230V	M= 230V

RED LED GREEN LED YELLOW LED

DRAWING UPDATE EC NO: IPG2013-1505 DRWN: JMARSZALEK 2013/03/28 CHKD: APPR: MIWASIECZKO 2013/04/02	QUALITY SYMBOLS	GENERAL TOLERANCES (UNLESS SPECIFIED)	DIMENSION STYLE MM ONLY	SCALE 1:1	DESIGN UNITS METRIC	FIRST ANGLE PROJECTION																															
	=0 =0	<table border="1"> <thead> <tr> <th></th> <th>mm</th> <th>INCH</th> </tr> </thead> <tbody> <tr> <td>4 PLACES</td> <td>± ---</td> <td>± ---</td> </tr> <tr> <td>3 PLACES</td> <td>± ---</td> <td>± ---</td> </tr> <tr> <td>2 PLACES</td> <td>± ---</td> <td>± ---</td> </tr> <tr> <td>1 PLACE</td> <td>± ---</td> <td>± ---</td> </tr> <tr> <td>0 PLACE</td> <td>± ---</td> <td>± ---</td> </tr> </tbody> </table>		mm	INCH	4 PLACES	± ---	± ---	3 PLACES	± ---	± ---	2 PLACES	± ---	± ---	1 PLACE	± ---	± ---	0 PLACE	± ---	± ---	<table border="1"> <thead> <tr> <th>DRAWN BY</th> <th>DATE</th> <th>TITLE</th> </tr> </thead> <tbody> <tr> <td>JMARSZALEK</td> <td>2013/01/16</td> <td rowspan="5">E65XXXXXXXX1XXXX DUAL DIN FORM A</td> </tr> <tr> <td>CHECKED BY</td> <td>DATE</td> </tr> <tr> <td>MSZWAJKOWSKI</td> <td>2013/01/16</td> </tr> <tr> <td>APPROVED BY</td> <td>DATE</td> </tr> <tr> <td>MIWASIECZKO</td> <td>2013/02/12</td> </tr> </tbody> </table>	DRAWN BY	DATE	TITLE	JMARSZALEK	2013/01/16	E65XXXXXXXX1XXXX DUAL DIN FORM A	CHECKED BY	DATE	MSZWAJKOWSKI	2013/01/16	APPROVED BY	DATE	MIWASIECZKO	2013/02/12	<p>molex</p>	
		mm	INCH																																		
	4 PLACES	± ---	± ---																																		
	3 PLACES	± ---	± ---																																		
2 PLACES	± ---	± ---																																			
1 PLACE	± ---	± ---																																			
0 PLACE	± ---	± ---																																			
DRAWN BY	DATE	TITLE																																			
JMARSZALEK	2013/01/16	E65XXXXXXXX1XXXX DUAL DIN FORM A																																			
CHECKED BY	DATE																																				
MSZWAJKOWSKI	2013/01/16																																				
APPROVED BY	DATE																																				
MIWASIECZKO	2013/02/12																																				
DRAFT WHERE APPLICABLE MUST REMAIN WITHIN DIMENSIONS	MATERIAL NO. SEE SHEET 2&3	DOCUMENT NO. SD-121055-001	SHEET NO. 2 OF 4																																		
	THIS DRAWING CONTAINS INFORMATION THAT IS PROPRIETARY TO MOLEX INCORPORATED AND SHOULD NOT BE USED WITHOUT WRITTEN PERMISSION																																				

TABLE 2 - CABLES

Mollex PN	mPm	Code	Wires	Cross Section	Material	Color	Diameter Ø	DIN A-B	DIN C
1210180080	I	0	3	1 mm2	PVC CEI 2022 II O.R.	Grey RAL7035	6,4±0,2 mm	OK.	-
1210180467	A	2	2	20 AWG	PVC CSA/UL 2661	Black	5,4±0,2 mm	OK.	OK.
1210180128	A	2	3	20 AWG	PVC CSA/UL 2661	Black	5,6±0,2 mm	OK.	OK.
1210180394	A	2	4	20 AWG	PVC CSA/UL 2661	Black	6,2±0,25 mm	OK.	OK.
-	A	2	5	20 AWG	PVC CSA/UL 2661	Black	7±0,2 mm	OK.	-
1210180297	B	2	2	20 AWG	PUR CSA/UL 20668	Black	5,6±0,2 mm	OK.	OK.
1210180126	B	2	3	20 AWG	PUR CSA/UL 20668	Black	5,6±0,2 mm	OK.	OK.
1210180387	B	2	4	20 AWG	PUR CSA/UL 20668	Black	6,2±0,2 mm	OK.	OK.
-	B	2	5	20 AWG	PUR CSA/UL 20668	Black	7±0,2 mm	OK.	-
1210180122	D	2	3	0,5 mm2	PVC TI2 CEI 20-20	Grey	5,5±0,2 mm	OK.	OK.
-	F	2	3	0,5 mm2	CNOMO	Grey RAL7000	5,5±0,2 mm	OK.	OK.
1210180047	I	2	2	0,5 mm2	PVC CEI 2022 II O.R.	Grey RAL7035	5,5+0,3/-0 mm	OK.	OK.
1210180284	I	2	3	0,5 mm2	PVC CEI 2022 II O.R.	Grey RAL7035	5,6+0,3/-0 mm	OK.	OK.
1210180146	I	2	4	0,5 mm2	PVC CEI 2022 II O.R.	Grey RAL7035	6,5±0,2 mm	OK.	OK.
1210180177	I	2	5	0,5 mm2	PVC CEI 2022 II O.R.	Grey RAL7035	7±0,2 mm	OK.	-
1210180022	N	2	2	0,5 mm2	PVCH03	Black	5,2±0,2 mm	OK.	OK.
1202092753	N	2	3	0,5 mm2	PVCH03	Black	5,5±0,2 mm	OK.	OK.
1210180153	N	2	4	0,5 mm2	PVCH03	Black	6,9 mm max	OK.	OK.
1210180046	P	2	2	0,5 mm2	PUR - BLEND	Black	5,5±0,2 mm	OK.	OK.
1202092439	P	2	3	0,5 mm2	PUR - BLEND	Black	5,5 +0,3/-0 mm	OK.	OK.
1210180302	P	2	4	0,5 mm2	PUR - BLEND	Black	6,5±0,2 mm	OK.	OK.
1202092215	P	2	5	0,5 mm2	PUR - BLEND	Black	7+0,3/-0,1 mm	OK.	OK.
1210180409	A	3	2	18 AWG	PVC CSA/UL 2661	Black	6,5±0,25 mm	OK.	-
1210180129	A	3	3	18 AWG	PVC CSA/UL 2661	Black	6,5±0,25 mm	OK.	-
1210180159	A	3	4	18 AWG	PVC CSA/UL 2661	Black	7±0,3 mm	OK.	-
1210180464	A	3	5	18 AWG	PVC CSA/UL 2661	Black	7,8±0,25 mm	OK.	-
1210180351	B	3	2	18 AWG	PUR CSA/UL 20668	Black	6,8±0,2 mm	OK.	-
1210180127	B	3	3	18 AWG	PUR CSA/UL 20668	Black	6,5±0,2 mm	OK.	-
1210180160	B	3	4	18 AWG	PUR CSA/UL 20668	Black	7±0,2 mm	OK.	-
1210180463	B	3	5	18 AWG	PUR CSA/UL 20668	Black	7,8±0,2 mm	OK.	-
1210180073	D	3	3	0,75 mm2	PVC TI2 CEI 20-20	Grey	6,5±0,2 mm	OK.	OK.
1210180145	D	3	4	0,75 mm2	PVC TI2 CEI 20-20	Grey	7,1±0,2 mm	OK.	-
1202098206	I	3	2	0,75 mm2	PVC CEI 2022 II O.R.	Grey RAL7001	5,5±0,2 mm	OK.	-
1210180120	I	3	3	0,75 mm2	PVC CEI 2022 II O.R.	Grey RAL7035	6±0,2 mm	OK.	-
1210180143	I	3	4	0,75 mm2	PVC CEI 2022 II O.R.	Grey RAL7035	7±0,2 mm	OK.	-
1210180032	N	3	2	0,75 mm2	PVCH05	Black	6,2±0,2 mm	OK.	-
1210180069	N	3	3	0,75 mm2	PVCH05	Black	6,5±0,2 mm	OK.	-
1210180144	N	3	4	0,75 mm2	PVCH05	Black	7,1±0,2 mm	OK.	-
1210180174	N	3	5	0,75 mm2	PVCH05	Black	8,0+0,2-0 mm	OK.	-
1202094190	P	3	2	0,75 mm2	PUR - BLEND	Black	6,5±0,2 mm	OK.	-

TABLE 2 - CABLES

Mollex PN	mPm	Code	Wires	Cross Section	Material	Color	Diameter Ø	DIN A-B	DIN C
1210180071	P	3	3	0,75 mm2	PUR - BLEND	Black	6,5±0,2 mm	OK.	-
1210180152	P	3	4	0,75 mm2	PUR - BLEND	Black	7±0,2 mm	OK.	-
1210180384	R	3	3	0,75 mm2	TPR HAL. FREE	Black	6,5±0,2 mm	OK.	-
1210180094	T	3	3	0,75 mm2	PUR CSA/UL	Yellow	6,5±0,2 mm	OK.	-
1210180309	Y	3	3	0,75 mm2	SIL/0300	Red	6,5±0,2 mm	OK.	-
1210180081	F	4	3	1 mm2	CNOMO	Grey RAL7000	7,1+0,2/-0 mm	OK.	-
-	F	4	4	1 mm2	CNOMO	Grey RAL7000	7,1+0,2/-0 mm	OK.	-
1210180042	I	4	2	1 mm2	PVC CEI 2022 II O.R.	Grey RAL7035	7,1+0,2/-0 mm	OK.	-
1210180079	I	4	3	1 mm2	PVC CEI 2022 II O.R.	Grey RAL7035	7,1+0,2/-0 mm	OK.	-
1210180036	N	4	2	1 mm2	PVCH05	Black	6,5±0,2 mm	OK.	-
1210180082	N	4	3	1 mm2	PVCH05	Black	6,9±0,2 mm	OK.	-
1210180117	R	4	3	1 mm2	TPR HAL. FREE	Black	7,1±0,2 mm	OK.	-
1210180085	N	5	3	1,5 mm2	PVCH05	Black	8,3+0,2/-0 mm	OK.	-
1210180313	I	6	2	0,35 mm2	PVC CEI 2022 II O.R.	Grey RAL7035	4,8±0,2 mm	OK.	-
-	A	7	3	20 AWG	PVC CSA/UL 2661	Yellow	5,6±0,2 mm	OK.	OK.
1210180149	I	9	4	0,75 mm2	PVC CEI 2022 II O.R.	Grey RAL7035	7,3±0,2 mm	OK.	-

TABLE 1 - CABLES TYPE

Code	Cable types	Features	Stranding
N	PVC	Application general purpose cable which has good resistance to water, but usually poor oil resistance.	0,5 mm2 = 15 x 0,20 0,75 mm2 = 21 x 0,20 1 mm2 = 28 x 0,20
I	CEI	Approved to IEC 332-2A, flame retardant and self extinguishing. Limited resistant to mineral oils.	0,5 mm2 = 28 x 0,15 0,75 mm2 = 42 x 0,15 1 mm2 = 32 x 0,20
P	PUR	Offer good resistance to oil and chemicals. Can swell when constantly immersed in water.	0,5 mm2 = 28 x 0,15 0,75 mm2 = 42 x 0,15 1 mm2 = 32 x 0,20
A	PVC CSA-UL	Approved to CSA-UL 2661, application general purpose cable which has good resistance to water, but usually poor oil resistance.	20 AWG = 32 x 0,15 18 AWG = 52 x 0,15
B	PUR CSA-UL	Approved to CSA-UL 20668, very good resistance to oil and chemicals.	20 AWG = 32 x 0,15 18 AWG = 52 x 0,15

<p>DRAWING UPDATE EC NO: IPG2013-1505 DRWN: JMARSZALEK 2013/03/28 CHKD: APPR: MIWASIECZKO 2013/04/02</p>	<p>QUALITY SYMBOLS ▽=0 ◻=0</p>	GENERAL TOLERANCES (UNLESS SPECIFIED)		DIMENSION STYLE MM ONLY		SCALE 1:1	DESIGN UNITS METRIC	FIRST ANGLE PROJECTION			
		mm		INCH		TITLE		E65XXXXXXXX1XXXX DUAL DIN FORM A			
		4 PLACES ± --- ± ---		DRAWN BY DATE JMARSZALEK 2013/01/16		CHECKED BY DATE MSZWAJKOWSKI 2013/01/16		<p>molex</p>			
		3 PLACES ± --- ± ---		APPROVED BY DATE MIWASIECZKO 2013/02/12		MATERIAL NO.					
2 PLACES ± --- ± ---		DRAFT WHERE APPLICABLE MUST REMAIN WITHIN DIMENSIONS		SEE SHEET 2&3		SD-121055-001		3 OF 4			
1 PLACE ± --- ± ---				SIZE A3		THIS DRAWING CONTAINS INFORMATION THAT IS PROPRIETARY TO MOLEX INCORPORATED AND SHOULD NOT BE USED WITHOUT WRITTEN PERMISSION					
0 PLACE ± --- ± ---											

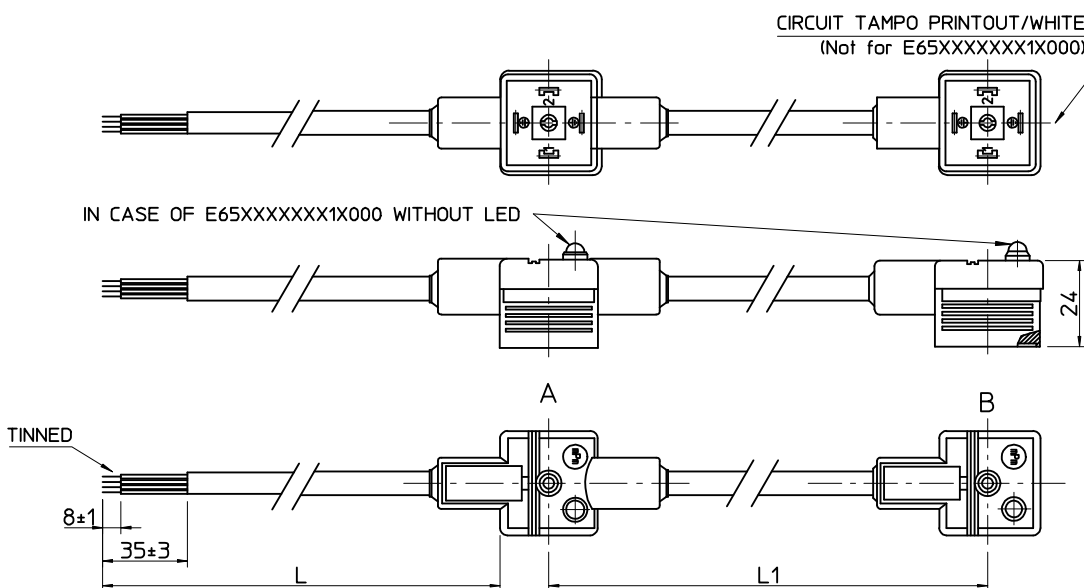
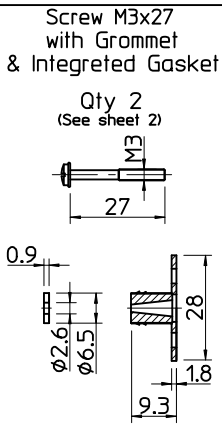
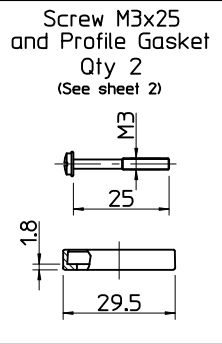
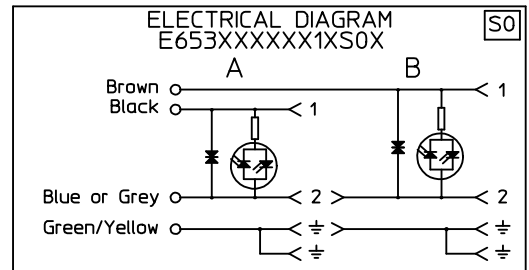
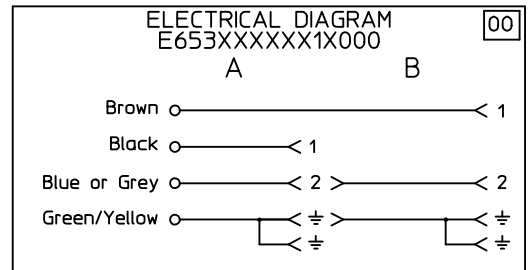
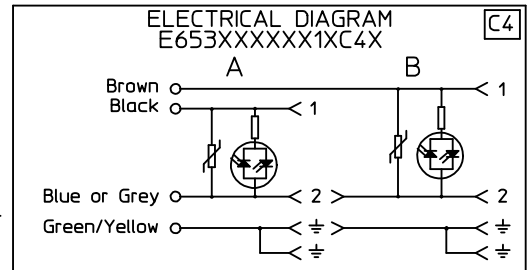
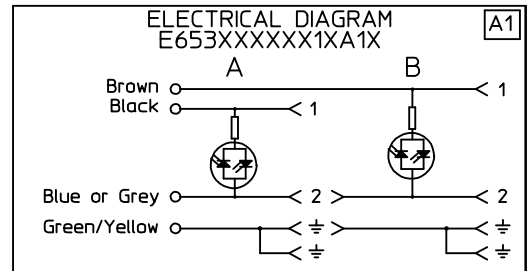
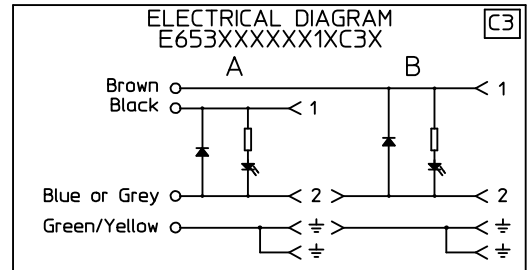


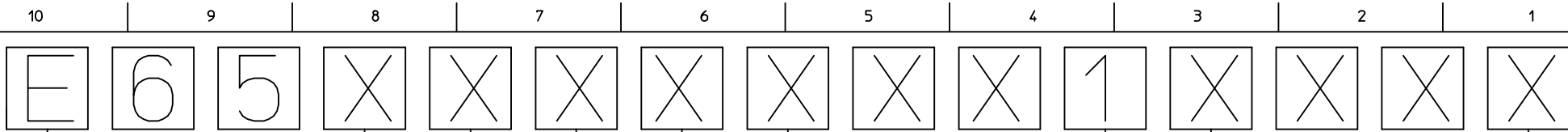
Table of length tolerances [mm]

Over	Up to and including	Tolerance
0	1000	±20
1000	3000	±30
3000	5000	±40
5000	10000	±50
10000	15000	±100
15000	20000	±150
20000		±L/100

NOTE: Ground on schematics does not apply to E652XXXXXX1XXXX



<p>DRAWING UPDATE EC NO: IPG2013-1505 DRWIN: JMARSZALEK 2013/03/28 CHKD: CHYKO APPR: MIWASIECZKO 2013/04/02</p>	<p>QUALITY SYMBOLS ▽=0 ◻=0</p>	<p>GENERAL TOLERANCES (UNLESS SPECIFIED)</p>		<p>DIMENSION STYLE MM ONLY</p>		SCALE	DESIGN UNITS	<p>FIRST ANGLE PROJECTION</p>
		mm	INCH	DRAWN BY	DATE	TITLE	<p>E65XXXXXX1XXXX DUAL DIN FORM A</p>	
		4 PLACES ± --- ± ---		JMARSZALEK	2013/01/16			
		3 PLACES ± --- ± ---		CHECKED BY	DATE			
2 PLACES ± --- ± ---		MSZWAJKOWSKI	2013/01/16					
1 PLACE ± --- ± ---		APPROVED BY	DATE					
0 PLACE ± --- ± ---		MIWASIECZKO	2013/02/12					
		ANGULAR ± --- °		MATERIAL NO.		DOCUMENT NO.		
DRAFT WHERE APPLICABLE MUST REMAIN WITHIN DIMENSIONS				SEE SHEET 2&3		SD-121055-001		SHEET NO. 1 OF 4
<p>THIS DRAWING CONTAINS INFORMATION THAT IS PROPRIETARY TO MOLEX INCORPORATED AND SHOULD NOT BE USED WITHOUT WRITTEN PERMISSION</p>								



E - Packing without bags
 W - Single packing
 Q - Quick packing

NUMBER OF WIRES:
 2=2 POLES
 3=2 POLES+GROUND

CABLE TYPE
 SEE TABLE 1

CABLE CROSS SECTION AREA
 SEE TABLE 2

HEAD COLOUR:

G=GREY
 N=BLACK
 T=TRANSPARENT
 A=CSA-UL BLACK
 B=CSA-UL GREY

CABLE LENGTH IN CM BETWIN 2 MOULDINGS (L1)
 Eg.:050=50 CM, 300=300 CM, 10K=1000 CM

EARTH PIN LOCATION:
 1=DOUBLE EARTH ON 6H AND 12H,

TYPE OF GASKET AND SCREW:

1=NBR PROFILE GASKET + FIXING SCREWS (M3x25 mm).
 2=NBR FLAT GASKET + FIXING SCREW (M3x25 mm).
 3=SILICONE PROFILE GASKET + FIXING SCREW (M3x25 mm).
 4=SILICON FLAT GASKET + FIXING SCREW (M3x25 mm).
 P=INTEGRATED GASKET ASSEMBLED + FIXING SCREW WITH GROMMET ASSEMBLED (M3x27 mm).
 R=INTAGRATED GASKET + FIXING SCREW + GROMMET (M3x27 mm).
 T=PROFILE GASKET + FIXING SCREW + GROMMET (M3x27 mm).

INTERNAL CIRCUIT
 WIRING CONFIGURATION

VOLTAGE AND LED COLOUR:

1= 12V	A= 12V	G= 12V
2= 24V	B= 24V	H= 24V
3= 48V	C= 48V	K= 48V
4= 115V	D= 115V	L= 115V
5= 230V	E= 230V	M= 230V

RED LED GREEN LED YELLOW LED

CABLE LENGHT IN METERS (L)

A=1
 B=1,5
 C=2
 D=2,5
 E=3
 F=3,5
 G=4
 H=4,5
 L=5
 M=5,5
 N=6
 P=6,5
 Q=7
 R=7,5
 S=8
 T=8,5
 U=9
 K=10

DRAWING UPDATE EC NO: IPG2013-1505 DRWN: JMARSZALEK 2013/03/28 CHKD: APPR: MIWASIECZKO 2013/04/02	QUALITY SYMBOLS	GENERAL TOLERANCES (UNLESS SPECIFIED)	DIMENSION STYLE MM ONLY	SCALE 1:1	DESIGN UNITS METRIC	FIRST ANGLE PROJECTION																																									
	=0 =0	<table border="1"> <thead> <tr> <th></th> <th>mm</th> <th>INCH</th> </tr> </thead> <tbody> <tr> <td>4 PLACES</td> <td>± ---</td> <td>± ---</td> </tr> <tr> <td>3 PLACES</td> <td>± ---</td> <td>± ---</td> </tr> <tr> <td>2 PLACES</td> <td>± ---</td> <td>± ---</td> </tr> <tr> <td>1 PLACE</td> <td>± ---</td> <td>± ---</td> </tr> <tr> <td>0 PLACE</td> <td>± ---</td> <td>± ---</td> </tr> </tbody> </table>		mm	INCH	4 PLACES	± ---	± ---	3 PLACES	± ---	± ---	2 PLACES	± ---	± ---	1 PLACE	± ---	± ---	0 PLACE	± ---	± ---	<table border="1"> <thead> <tr> <th>DRAWN BY</th> <th>DATE</th> <th>TITLE</th> </tr> </thead> <tbody> <tr> <td>JMARSZALEK</td> <td>2013/01/16</td> <td rowspan="2">E65XXXXXXXX1XXXX DUAL DIN FORM A</td> </tr> <tr> <td>CHECKED BY</td> <td>DATE</td> </tr> <tr> <td>MSZWAJKOWSKI</td> <td>2013/01/16</td> <td rowspan="2">molex</td> </tr> <tr> <td>APPROVED BY</td> <td>DATE</td> </tr> <tr> <td>MIWASIECZKO</td> <td>2013/02/12</td> <td>DOCUMENT NO.</td> </tr> </tbody> </table>	DRAWN BY	DATE	TITLE	JMARSZALEK	2013/01/16	E65XXXXXXXX1XXXX DUAL DIN FORM A	CHECKED BY	DATE	MSZWAJKOWSKI	2013/01/16	molex	APPROVED BY	DATE	MIWASIECZKO	2013/02/12	DOCUMENT NO.	<table border="1"> <thead> <tr> <th>SIZE</th> <th>THIS DRAWING CONTAINS INFORMATION THAT IS PROPRIETARY TO MOLEX INCORPORATED AND SHOULD NOT BE USED WITHOUT WRITTEN PERMISSION</th> </tr> </thead> <tbody> <tr> <td>A3</td> <td></td> </tr> </tbody> </table>	SIZE	THIS DRAWING CONTAINS INFORMATION THAT IS PROPRIETARY TO MOLEX INCORPORATED AND SHOULD NOT BE USED WITHOUT WRITTEN PERMISSION	A3		<table border="1"> <thead> <tr> <th>DOCUMENT NO.</th> <th>SHEET NO.</th> </tr> </thead> <tbody> <tr> <td>SD-121055-001</td> <td>2 OF 4</td> </tr> </tbody> </table>	DOCUMENT NO.	SHEET NO.	SD-121055-001	2 OF 4
		mm	INCH																																												
	4 PLACES	± ---	± ---																																												
	3 PLACES	± ---	± ---																																												
2 PLACES	± ---	± ---																																													
1 PLACE	± ---	± ---																																													
0 PLACE	± ---	± ---																																													
DRAWN BY	DATE	TITLE																																													
JMARSZALEK	2013/01/16	E65XXXXXXXX1XXXX DUAL DIN FORM A																																													
CHECKED BY	DATE																																														
MSZWAJKOWSKI	2013/01/16	molex																																													
APPROVED BY	DATE																																														
MIWASIECZKO	2013/02/12	DOCUMENT NO.																																													
SIZE	THIS DRAWING CONTAINS INFORMATION THAT IS PROPRIETARY TO MOLEX INCORPORATED AND SHOULD NOT BE USED WITHOUT WRITTEN PERMISSION																																														
A3																																															
DOCUMENT NO.	SHEET NO.																																														
SD-121055-001	2 OF 4																																														
	ANGULAR ±---°	DRAFT WHERE APPLICABLE MUST REMAIN WITHIN DIMENSIONS	SEE SHEET 2&3																																												

TABLE 2 - CABLES

Mollex PN	mPm	Code	Wires	Cross Section	Material	Color	Diameter Ø	DIN A-B	DIN C
1210180080	I	0	3	1 mm2	PVC CEI 2022 II O.R.	Grey RAL7035	6,4±0,2 mm	OK.	-
1210180467	A	2	2	20 AWG	PVC CSA/UL 2661	Black	5,4±0,2 mm	OK.	OK.
1210180128	A	2	3	20 AWG	PVC CSA/UL 2661	Black	5,6±0,2 mm	OK.	OK.
1210180394	A	2	4	20 AWG	PVC CSA/UL 2661	Black	6,2±0,25 mm	OK.	OK.
-	A	2	5	20 AWG	PVC CSA/UL 2661	Black	7±0,2 mm	OK.	-
1210180297	B	2	2	20 AWG	PUR CSA/UL 20668	Black	5,6±0,2 mm	OK.	OK.
1210180126	B	2	3	20 AWG	PUR CSA/UL 20668	Black	5,6±0,2 mm	OK.	OK.
1210180387	B	2	4	20 AWG	PUR CSA/UL 20668	Black	6,2±0,2 mm	OK.	OK.
-	B	2	5	20 AWG	PUR CSA/UL 20668	Black	7±0,2 mm	OK.	-
1210180122	D	2	3	0,5 mm2	PVC TI2 CEI 20-20	Grey	5,5±0,2 mm	OK.	OK.
-	F	2	3	0,5 mm2	CNOMO	Grey RAL7000	5,5±0,2 mm	OK.	OK.
1210180047	I	2	2	0,5 mm2	PVC CEI 2022 II O.R.	Grey RAL7035	5,5+0,3/-0 mm	OK.	OK.
1210180284	I	2	3	0,5 mm2	PVC CEI 2022 II O.R.	Grey RAL7035	5,6+0,3/-0 mm	OK.	OK.
1210180146	I	2	4	0,5 mm2	PVC CEI 2022 II O.R.	Grey RAL7035	6,5±0,2 mm	OK.	OK.
1210180177	I	2	5	0,5 mm2	PVC CEI 2022 II O.R.	Grey RAL7035	7±0,2 mm	OK.	-
1210180022	N	2	2	0,5 mm2	PVCH03	Black	5,2±0,2 mm	OK.	OK.
1202092753	N	2	3	0,5 mm2	PVCH03	Black	5,5±0,2 mm	OK.	OK.
1210180153	N	2	4	0,5 mm2	PVCH03	Black	6,9 mm max	OK.	OK.
1210180046	P	2	2	0,5 mm2	PUR - BLEND	Black	5,5±0,2 mm	OK.	OK.
1202092439	P	2	3	0,5 mm2	PUR - BLEND	Black	5,5 +0,3/-0 mm	OK.	OK.
1210180302	P	2	4	0,5 mm2	PUR - BLEND	Black	6,5±0,2 mm	OK.	OK.
1202092215	P	2	5	0,5 mm2	PUR - BLEND	Black	7+0,3/-0,1 mm	OK.	OK.
1210180409	A	3	2	18 AWG	PVC CSA/UL 2661	Black	6,5±0,25 mm	OK.	-
1210180129	A	3	3	18 AWG	PVC CSA/UL 2661	Black	6,5±0,25 mm	OK.	-
1210180159	A	3	4	18 AWG	PVC CSA/UL 2661	Black	7±0,3 mm	OK.	-
1210180464	A	3	5	18 AWG	PVC CSA/UL 2661	Black	7,8±0,25 mm	OK.	-
1210180351	B	3	2	18 AWG	PUR CSA/UL 20668	Black	6,8±0,2 mm	OK.	-
1210180127	B	3	3	18 AWG	PUR CSA/UL 20668	Black	6,5±0,2 mm	OK.	-
1210180160	B	3	4	18 AWG	PUR CSA/UL 20668	Black	7±0,2 mm	OK.	-
1210180463	B	3	5	18 AWG	PUR CSA/UL 20668	Black	7,8±0,2 mm	OK.	-
1210180073	D	3	3	0,75 mm2	PVC TI2 CEI 20-20	Grey	6,5±0,2 mm	OK.	OK.
1210180145	D	3	4	0,75 mm2	PVC TI2 CEI 20-20	Grey	7,1±0,2 mm	OK.	-
1202098206	I	3	2	0,75 mm2	PVC CEI 2022 II O.R.	Grey RAL7001	5,5±0,2 mm	OK.	-
1210180120	I	3	3	0,75 mm2	PVC CEI 2022 II O.R.	Grey RAL7035	6±0,2 mm	OK.	-
1210180143	I	3	4	0,75 mm2	PVC CEI 2022 II O.R.	Grey RAL7035	7±0,2 mm	OK.	-
1210180032	N	3	2	0,75 mm2	PVCH05	Black	6,2±0,2 mm	OK.	-
1210180069	N	3	3	0,75 mm2	PVCH05	Black	6,5±0,2 mm	OK.	-
1210180144	N	3	4	0,75 mm2	PVCH05	Black	7,1±0,2 mm	OK.	-
1210180174	N	3	5	0,75 mm2	PVCH05	Black	8,0+0,2-0 mm	OK.	-
1202094190	P	3	2	0,75 mm2	PUR - BLEND	Black	6,5±0,2 mm	OK.	-

TABLE 2 - CABLES

Mollex PN	mPm	Code	Wires	Cross Section	Material	Color	Diameter Ø	DIN A-B	DIN C
1210180071	P	3	3	0,75 mm2	PUR - BLEND	Black	6,5±0,2 mm	OK.	-
1210180152	P	3	4	0,75 mm2	PUR - BLEND	Black	7±0,2 mm	OK.	-
1210180384	R	3	3	0,75 mm2	TPR HAL. FREE	Black	6,5±0,2 mm	OK.	-
1210180094	T	3	3	0,75 mm2	PUR CSA/UL	Yellow	6,5±0,2 mm	OK.	-
1210180309	Y	3	3	0,75 mm2	SIL/0300	Red	6,5±0,2 mm	OK.	-
1210180081	F	4	3	1 mm2	CNOMO	Grey RAL7000	7,1+0,2/-0 mm	OK.	-
-	F	4	4	1 mm2	CNOMO	Grey RAL7000	7,1+0,2/-0 mm	OK.	-
1210180042	I	4	2	1 mm2	PVC CEI 2022 II O.R.	Grey RAL7035	7,1+0,2/-0 mm	OK.	-
1210180079	I	4	3	1 mm2	PVC CEI 2022 II O.R.	Grey RAL7035	7,1+0,2/-0 mm	OK.	-
1210180036	N	4	2	1 mm2	PVCH05	Black	6,5±0,2 mm	OK.	-
1210180082	N	4	3	1 mm2	PVCH05	Black	6,9±0,2 mm	OK.	-
1210180117	R	4	3	1 mm2	TPR HAL. FREE	Black	7,1±0,2 mm	OK.	-
1210180085	N	5	3	1,5 mm2	PVCH05	Black	8,3+0,2/-0 mm	OK.	-
1210180313	I	6	2	0,35 mm2	PVC CEI 2022 II O.R.	Grey RAL7035	4,8±0,2 mm	OK.	-
-	A	7	3	20 AWG	PVC CSA/UL 2661	Yellow	5,6±0,2 mm	OK.	OK.
1210180149	I	9	4	0,75 mm2	PVC CEI 2022 II O.R.	Grey RAL7035	7,3±0,2 mm	OK.	-

TABLE 1 - CABLES TYPE

Code	Cable types	Features	Stranding
N	PVC	Application general purpose cable which has good resistance to water, but usually poor oil resistance.	0,5 mm2 = 15 x 0,20 0,75 mm2 = 21 x 0,20 1 mm2 = 28 x 0,20
I	CEI	Approved to IEC 332-2A, flame retardant and self extinguishing. Limited resistant to mineral oils.	0,5 mm2 = 28 x 0,15 0,75 mm2 = 42 x 0,15 1 mm2 = 32 x 0,20
P	PUR	Offer good resistance to oil and chemicals. Can swell when constantly immersed in water.	0,5 mm2 = 28 x 0,15 0,75 mm2 = 42 x 0,15 1 mm2 = 32 x 0,20
A	PVC CSA-UL	Approved to CSA-UL 2661, application general purpose cable which has good resistance to water, but usually poor oil resistance.	20 AWG = 32 x 0,15 18 AWG = 52 x 0,15
B	PUR CSA-UL	Approved to CSA-UL 20668, very good resistance to oil and chemicals.	20 AWG = 32 x 0,15 18 AWG = 52 x 0,15

DRAWING UPDATE
EC NO: IPG2013-1505
DRWN: JMARSZALEK 2013/03/28
CHKD:
APPR: MIWASIECZKO 2013/04/02

QUALITY SYMBOLS
▽=0
◻=0

GENERAL TOLERANCES (UNLESS SPECIFIED)

	mm	INCH
4 PLACES	± ---	± ---
3 PLACES	± ---	± ---
2 PLACES	± ---	± ---
1 PLACE	± ---	± ---
0 PLACE	± ---	± ---

ANGULAR ± --- °
DRAFT WHERE APPLICABLE MUST REMAIN WITHIN DIMENSIONS

DIMENSION STYLE
MM ONLY

DRAWN BY	DATE
JMARSZALEK	2013/01/16
CHECKED BY	DATE
MSZWAJKOWSKI	2013/01/16
APPROVED BY	DATE
MIWASIECZKO	2013/02/12

MATERIAL NO.
SEE SHEET 2&3

SCALE
1:1

DESIGN UNITS
METRIC

FIRST ANGLE PROJECTION

TITLE
E65XXXXXXXX1XXXX
DUAL DIN FORM A

molex

DOCUMENT NO.
SD-121055-001

SHEET NO.
3 OF 4

THIS DRAWING CONTAINS INFORMATION THAT IS PROPRIETARY TO MOLEX INCORPORATED AND SHOULD NOT BE USED WITHOUT WRITTEN PERMISSION

