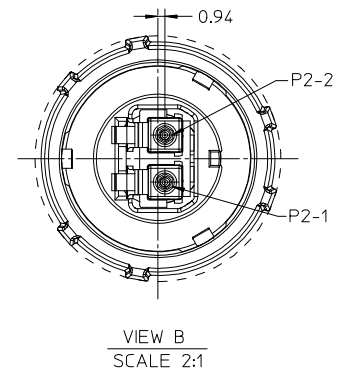
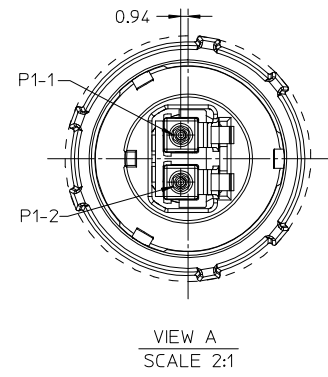
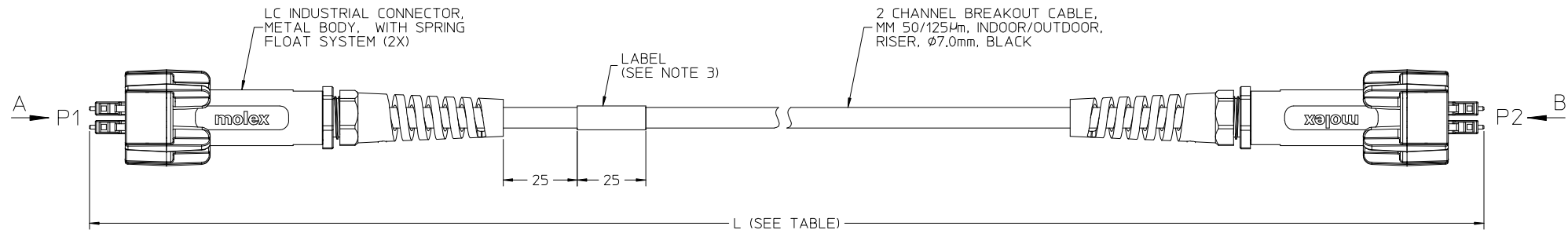


JUMPER P/N	JUMPER LENGTH L (m)
106257-6001	1.0 +0.1/-0
106257-6003	3.0 +0.2/-0
106257-6005	5.0 +0.2/-0
106257-6010	10.0 +0.3/-0
106257-6015	15.0 +0.3/-0
106257-6020	20.0 +0.4/-0
106257-6025	25.0 +0.5/-0
106257-6050	50.0 +1.0/-0

CONNECTIONS		
FROM	TO	SUBCABLE COLOR
P1-1	P2-2	BLUE
P1-2	P2-1	ORANGE



- NOTES:
- CONNECTOR DUST CAPS ARE NOT SHOWN BUT INCLUDED.
 - MAXIMUM INSERTION LOSS PER CHANNEL @ 850nm: 0.7dB. CABLE ATTENUATION IS NOT INCLUDED.
 - LABEL IS PRINTED WITH MOLEX P/N AND SERIAL NUMBER.
 - JUMPERS ≥20 meters LONG ARE SHIPPED ON A SPOOL.
 - TEST DATA IS SUPPLIED WITH EACH SHIPMENT.

ENTER DESCRIPTION EC NO: MF2016-0012 DRWN: SBOJANIC 2015/07/09 CHKD: IGUMIN APPR: IGUMIN 2015/07/15	QUALITY SYMBOLS ▼=0 ▽=0	GENERAL TOLERANCES (UNLESS SPECIFIED)	DIMENSION STYLE MM ONLY	SCALE 1:1	DESIGN UNITS INCH	THIRD ANGLE PROJECTION																		
		<table border="1"> <thead> <tr> <th></th> <th>mm</th> <th>INCH</th> </tr> </thead> <tbody> <tr><td>4 PLACES</td><td>± ---</td><td>± ---</td></tr> <tr><td>3 PLACES</td><td>± ---</td><td>± ---</td></tr> <tr><td>2 PLACES</td><td>± ---</td><td>± ---</td></tr> <tr><td>1 PLACE</td><td>± ---</td><td>± ---</td></tr> <tr><td>0 PLACE</td><td>± ---</td><td>± ---</td></tr> </tbody> </table>		mm	INCH	4 PLACES	± ---	± ---	3 PLACES	± ---	± ---	2 PLACES	± ---	± ---	1 PLACE	± ---	± ---	0 PLACE	± ---	± ---	DRAWN BY: SBOJANIC DATE: 2015/07/09 CHECKED BY: _____ DATE: _____	TITLE LC DUPLEX INDUSTRIAL METAL BODY JUMPER, MM50/125UM molex	DOCUMENT NO. SD-106257-6001	SHEET NO. 1 OF 1
		mm	INCH																					
	4 PLACES	± ---	± ---																					
3 PLACES	± ---	± ---																						
2 PLACES	± ---	± ---																						
1 PLACE	± ---	± ---																						
0 PLACE	± ---	± ---																						
	ANGULAR ±1/2°	DRAFT WHERE APPLICABLE MUST REMAIN WITHIN DIMENSIONS	APPROVED BY: IGUMIN DATE: 2015/07/15	SEE TABLE																				
REV A			SIZE C	THIS DRAWING CONTAINS INFORMATION THAT IS PROPRIETARY TO MOLEX INCORPORATED AND SHOULD NOT BE USED WITHOUT WRITTEN PERMISSION																				