

NOTES:

1. MATERIAL:
 - (A). SCREW: SEE LEGEND
 - (B). INSULATOR: PBT, UL94V-0
 - (C). TERMINAL: BRASS, TIN PLATED
2. NUMBER OF CIRCUIT POSITIONS AVAILABLE: 2 THROUGH 15
3. ELECTRICAL RATINGS:
 - (A). MAXIMUM VOLTAGE: 600V
 - (B). MAXIMUM CURRENT: 50A
 - (C). INSULATION RESISTANCE: 500MΩ PER MINUTE
 - (D). DIELECTRIC WITHSTAND VOLTAGE: 2200V AC
4. WIRE RANGE: 8 TO 20 AWG (SOLID OR STRANDED COPPER)
5. RECOMMENDED WIRE STRIP LENGTH: 0.32 IN. (8mm)
6. SCREW TORQUE: 16 LBF. IN. (1.8Nm)
7. OPERATING TEMPERATURE: -40°C TO +120°C

MATERIAL NUMBER LEGEND

389 XX X X XX

INSULATOR STYLE

69- NO MOUNTING ENDS

NO. OF CIRCUITS

(02 - 15)

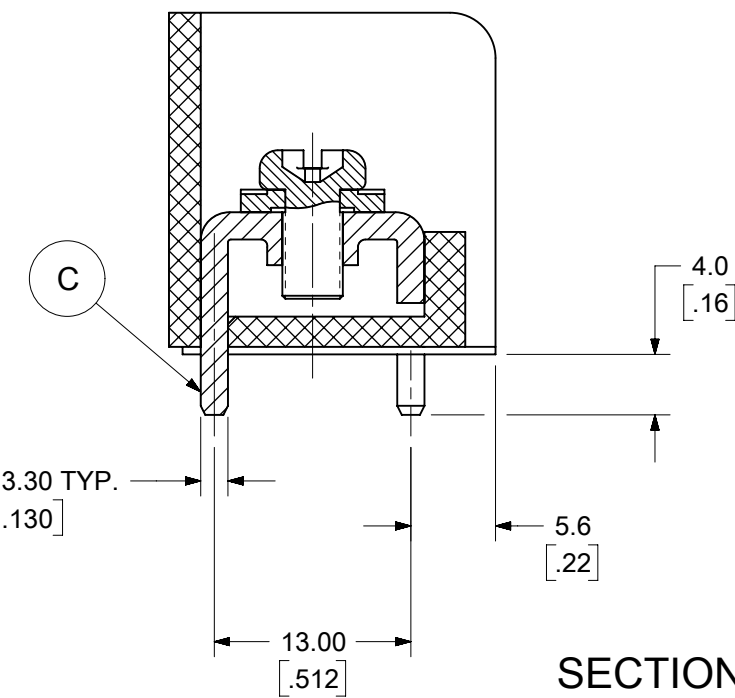
TERMINAL STYLE

0 - PC TAILS

SCREW STYLE

0 - M4 WITH SQUARE WASHER, STEEL, NICKEL PLATED

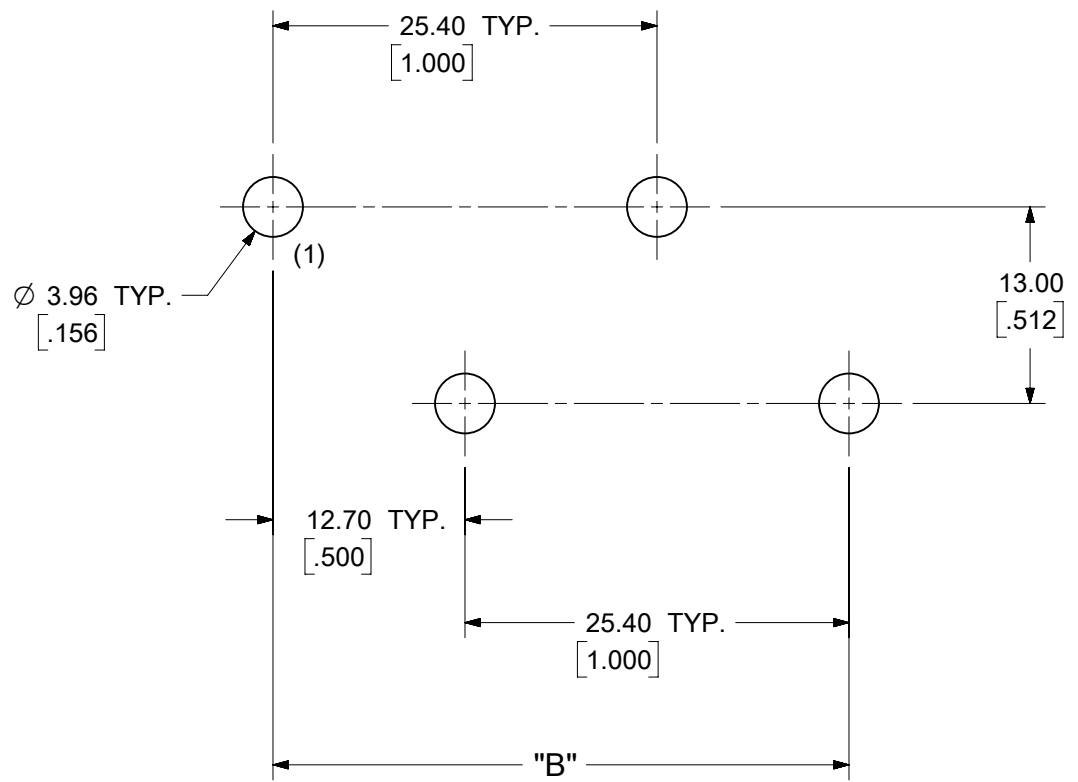
TERM. STYLE 0 - PC TAILS



SECTION A-A

THIS DRAWING CONTAINS INFORMATION THAT IS PROPRIETARY TO MOLEX ELECTRONIC TECHNOLOGIES, LLC AND SHOULD NOT BE USED WITHOUT WRITTEN PERMISSION											
SYMBOLS		DIMENSION UNITS		SCALE		CURRENT REV DESC: UPDATED NOTES SECTION					
▽ = 0		MM/INCH		2:1		EC NO: 632901					
▽ = 0		GENERAL TOLERANCES (UNLESS SPECIFIED)						DRWN: ABENJAMINLW		2020/01/14	
▽ = 0		4 PLACES ±		---		3 PLACES ±		---		CHK'D: DACHAMMER	
▽ = 0		3 PLACES ±		---		2 PLACES ±		0.13		2020/02/25	
▽ = 0		2 PLACES ±		0.13		1 PLACE ±		0.3		APPR: JFMURPHY	
▽ = 0		1 PLACE ±		0.3		0 PLACES ±		---		2020/03/09	
▽ = 0		0 PLACES ±		---		ANGULAR TOL		± 2°		INITIAL REVISION:	
▽ = 0		DRAFT WHERE APPLICABLE MUST REMAIN WITHIN DIMENSIONS		THIRD ANGLE PROJECTION		DRAWING		SERIES		DOCUMENT NUMBER	
▽ = 0				B-SIZE		38969		MATERIAL NUMBER		CUSTOMER	
								SEE LEGEND		GENERAL MARKET	
										SHEET NUMBER	
										1 OF 2	

QUANTITY OF CIRCUITS	DIM. "A"		DIM. "B"	
	mm	IN	mm	IN
02	27.9	1.10	12.70	.500
03	40.6	1.60	25.40	1.000
04	53.3	2.10	38.10	1.500
05	66.0	2.60	50.80	2.000
06	78.7	3.10	63.50	2.500
07	91.4	3.60	76.20	3.000
08	104.1	4.10	88.90	3.500
09	116.8	4.60	101.60	4.000
10	129.5	5.10	114.30	4.500
11	142.2	5.60	127.00	5.000
12	154.9	6.10	139.70	5.500
13	167.6	6.60	152.40	6.000
14	180.3	7.10	165.10	6.500
15	193.0	7.60	177.80	7.000



RECOMMENDED PCB LAYOUT

SYMBOLS										THIS DRAWING CONTAINS INFORMATION THAT IS PROPRIETARY TO MOLEX ELECTRONIC TECHNOLOGIES, LLC AND SHOULD NOT BE USED WITHOUT WRITTEN PERMISSION									
DIMENSION UNITS					SCALE					CURRENT REV DESC: UPDATED NOTES									
MM/INCH					2:1					SECTION									
GENERAL TOLERANCES (UNLESS SPECIFIED)										EC NO: 632901									
4 PLACES ± --- ± ---					3 PLACES ± --- ± .005					DRWN: ABENJAMINLW 2020/01/14					2020/02/25				
2 PLACES ± 0.13 ± .01					1 PLACE ± 0.3 ± ---					CHK'D: DACHAMMER					2020/03/09				
0 PLACES ± --- ± ---					ANGULAR TOL ± 2°					INITIAL REVISION:					DOCUMENT NUMBER				
DRAFT WHERE APPLICABLE MUST REMAIN WITHIN DIMENSIONS					THIRD ANGLE PROJECTION					DRAWING					SERIES				
					B-SIZE					38969					SD-38969-001				
										SEE LEGEND					GENERAL MARKET				
										SHEET NUMBER					2 OF 2				



12.70MM [.500] SINGLE ROW TRI-BARRIER TERMINAL STRIP

PRODUCT CUSTOMER DRAWING