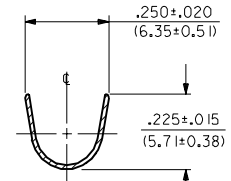
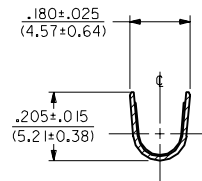
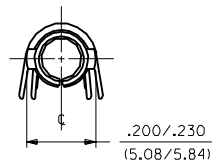


PART NO.	ENG. NO.	CHARACTERISTICS		
		MATERIAL	FINISH	FORM
018-12-1604	42547-0001	A	2	L
018-12-1603	42547-0002	A	2	C



SECT. "B-B"

SECT. "A-A"



CHARACTERISTICS LEGEND

**MATERIAL:**

A) PHOS. BRONZE, ALLOY  
 \*C51000; .013/(0.33) THICK,  
 EXTRA HARD

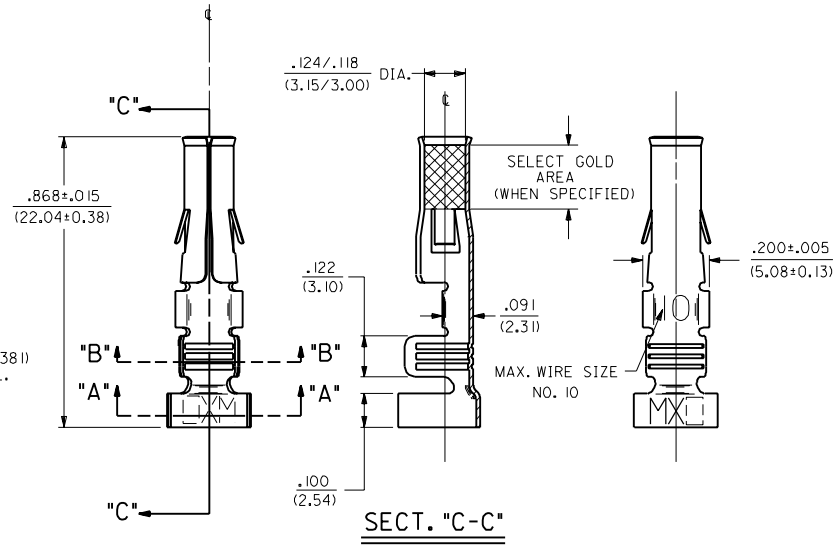
**FINISH:**

(\*P) PRECEEDING FINISH NO.  
 DESIGNATES PREPLATED MATERIAL

1) UNFINISHED  
 2) P122 ELECTRO TIN PLATE .000150/(0.0038) I  
 MIN. OVER .000030/(0.00076) MIN. NICKEL.

**FORM:**

L) LOOSE  
 C) CHAIN



SECT. "C-C"

- NOTES:
1. TERMINAL FOR USE WITH .125/(3.17) SERIES HOUSINGS AND WILL ACCEPT 10 THRU 14 AWG WIRE HAVING A .180/(4.57) MAX. DIAMETER INSULATION.
  2. INSERTION FORCE: 6.0 LBS. MAX. WHEN TERMINAL IS INSERTED INTO .125/(3.17) DIA. CORE HOLE.
  3. PULL OUT FORCE: 30 LBS. MIN. RETENTION IN HOUSING .

B	ADD SELECT AREA ECR #UD 0230 3-5-90 RW
A	FINAL RELEASE ERO 20046 89/10/18 COMSTOCK
MFG. SH. REV. LTR.	REVISIONS

DIMENSIONS SHOWN METRIC (INCH)		UNLESS OTHERWISE SPECIFIED TOLERANCES: ANGULAR ± .001°		TITLE	
3 PLACE	± .010	---	---	CRIMP TERMINAL, FEMALE, .125/(3.17) DIA 10-14 AWG .180/(4.57) DIA. INSUL.	
2 PLACE	± .014	± 0.25	---	MOLEX INCORPORATED	
1 PLACE	---	± 0.35	---	SHEET NO. DATE 1 OF 1 89/10/18	
DRAFT WHERE APPLICABLE MUST REMAIN WITHIN DIMENSIONS				PART NO. DRWG. NO. SEE CHART SD-42547-*	
DRWG. BY: GMC	CHKD. BY: RW	FILE NAME: 542547X1	APP'D. BY: GWF	SCALE: 4 : 1	DIV. SIZE: CP C

42547