

■ Features

- Single output power from 15-18W
- 100-240Vac Universal input
- Certificates: UL, CE
- Frequency: 50-60Hz
- Ripple: 150mV
- OVP, OCP, SCP, and OTP
- Efficiency Level: VI
- Interchangeable Plug types: US, EU, AU, UK, CN
- MTBF: 50,000 hours
- Dimension: 75x40x38.5mm(exclude plug)



*Product images are for illustrative purposes only and may vary from actual design.

■ Application

- Consumer electronics, Telecom and office equipment
- Industrial equipment

■ Model List

Custom Designs Available!

Model	Output Voltage	Output Current	Power	Certifications
WM018S-050I-TPx-XX	5V	3A	15W	UL, CE
WM018S-090I-TPx-XX	9V	2A	18W	UL, CE
WM018S-120I-TPx-XX	12V	1.5A	18W	UL, CE
WM018S-150I-TPx-XX	15V	1.2A	18W	UL, CE
WM018S-180I-TPx-XX	18V	1A	18W	UL, CE
WM018S-240I-TPx-XX	24V	0.75A	18W	UL, CE

■ Technical Data

Rated Voltage Range	100-240Vac
Input Frequency Range	47-63Hz
Input Current	0.5Amax.@full load
Inrush Current	50A typ. @220Vac Input
Ripple and Noise	150mV
Turn On/Off Overshoot	5%
Line Regulation	±5%
Load Regulation	±5%
Turn On Delay Time	3S Max.@115Vac
Rise time	40ms Max.@115Vac
Hold Up Time	5ms Min. @115Vac
Efficiency	Average efficiency is 81.84% min. @ 25%, 50%, 75% & 100% of full-loading and 230Vac input (After warm up 30 minutes). Efficiency of 10% of full load Limit >71.8%
Short Circuit Protection	The power supply will be auto recover after the short circuit fault is removed.

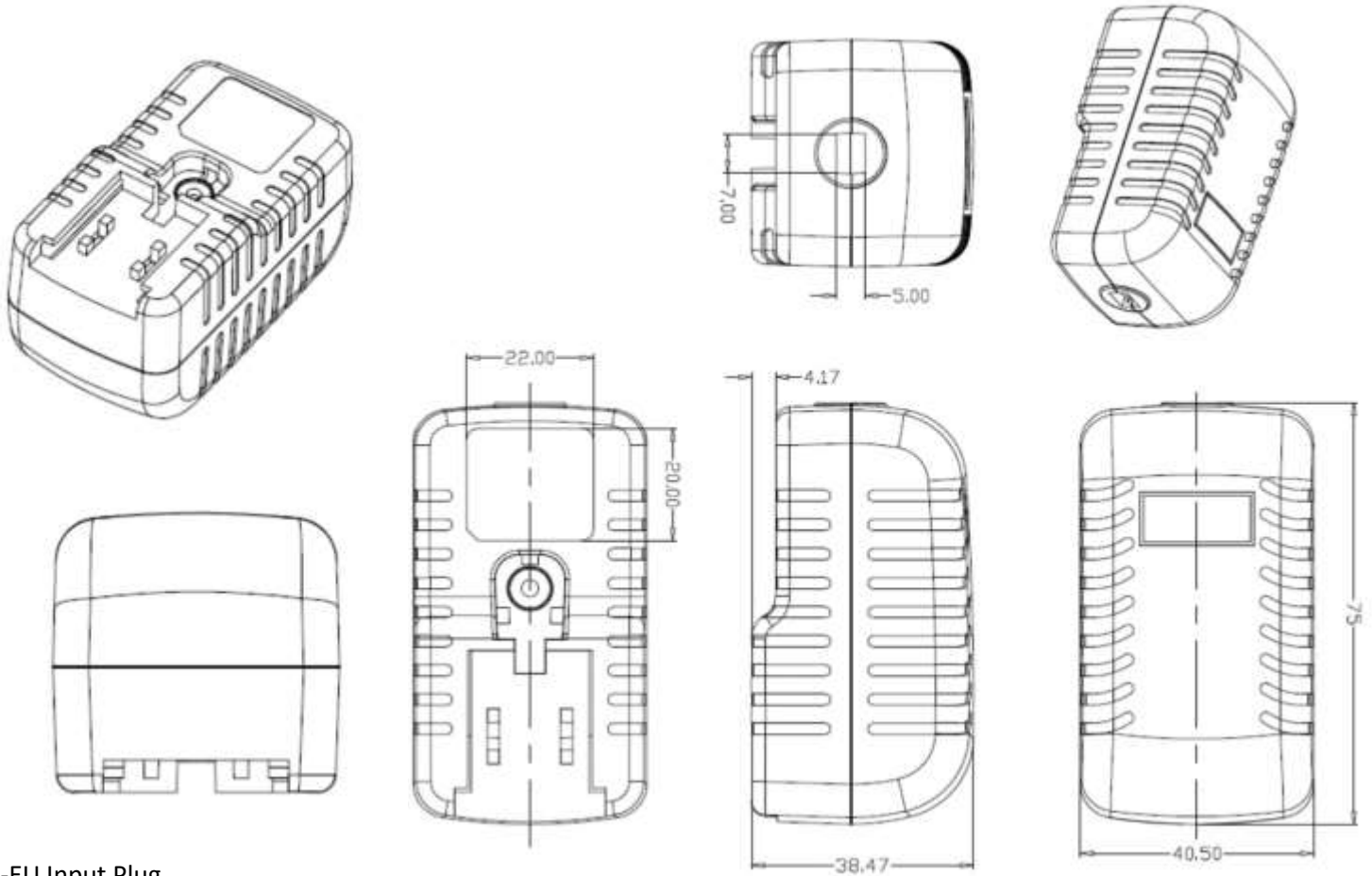
■ **Technical Data(cont.)**

Over Current Protection	120%-150%; The power supply will be auto recover after the over current fault is removed.
Burn-in	The power supply shall burn-in for 2-4Hours under normal input and 80% rated load@40°C±5°C
MTBF	50,000hours@25°C, full load and nominal input condition
Operating Temperature	0°C to 40°C
Storage Temperature	-40°C to 85°C
Operating Humidity	5%-95%RH
Storage Humidity	10%-90%RH
Vibration	IEC 721-3-3 3M3 5-9Hz, A=1.5mm 9-200Hz, Acceleration=5m/S ²
Transportation	IEC 721-3-2 2M2 5-9Hz, A=3.5mm 9-200Hz, Acceleration=5m/S ² 200-500Hz, Acceleration=15m/S ²

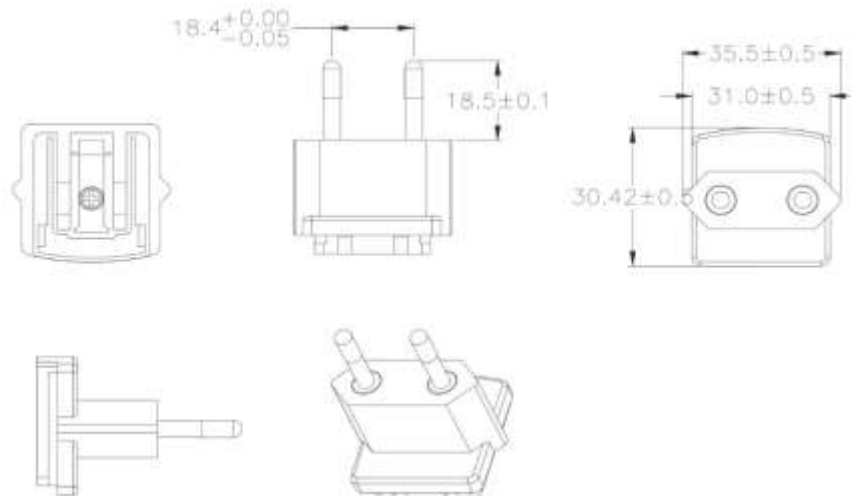
■ **Safeties and EMI**

UL/cUL	UL60950
FCC	Class B
CE	EN60950
SAA	AS/NZS 60950
SAA	AS/NZS 60065
CB	IEC60065
C-TICK	AS/NZS CISPR13:2004
EMI Standard	GB9254, GB17625.1, GB13837, FCC-Part15, EN55032, EN55024, CISPR 32, EN 61000-3-2, EN 61000-3-3, EN 61000-4-2, 3, 4, 5, 6, 8, 11
Dielectric Strength	Primary to Secondary 3000Vac/4242Vdc/10mA/1 min
Leakage Current	0.25mA max. @240Vac/50Hz
Insulation Resistance	100MΩ@Primary to secondary add 500Vdc test voltage

■ Mechanical Diagram



-EU Input Plug



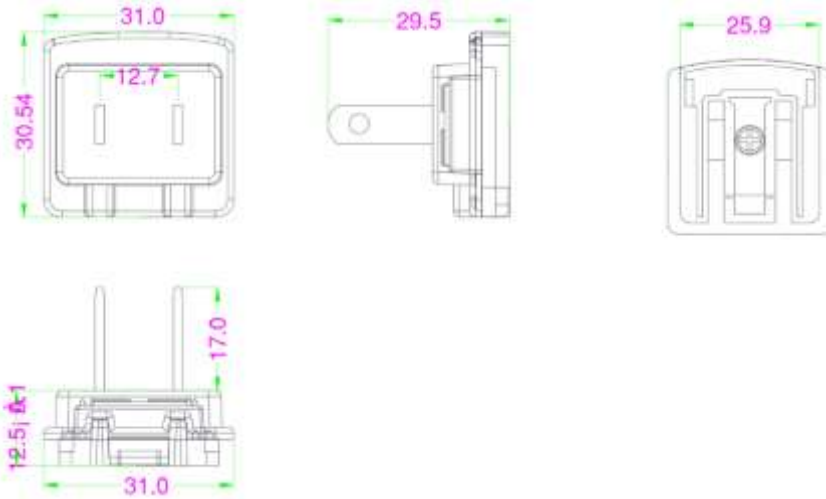
Technical Sales / Customer Service: +1-818-338-7788 • Email: sales@autec.com

31328 Via Colinas Suite 102 • Westlake Village, CA 91362 USA • www.autec.com

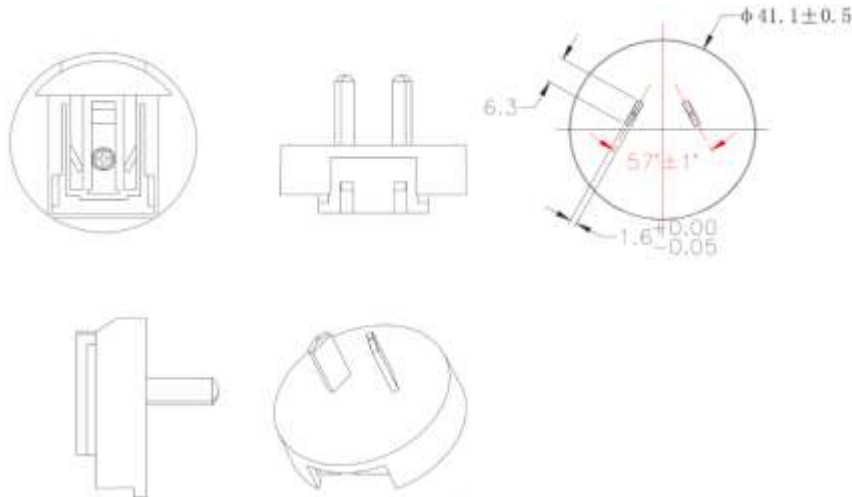
April 19, 2019

3 / 5

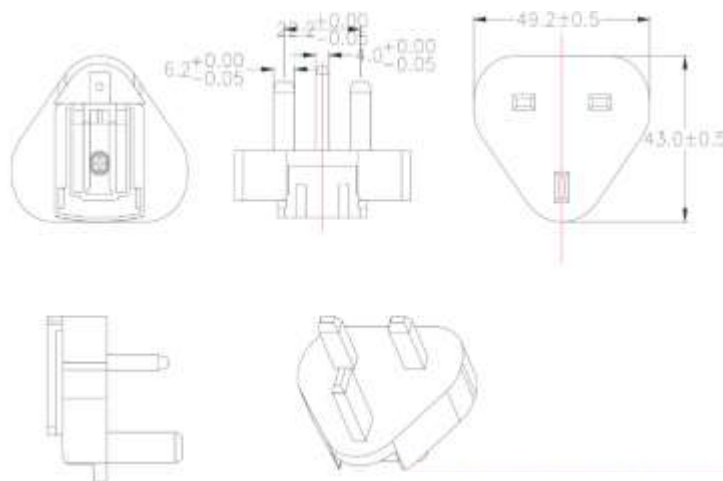
-US Input Plug



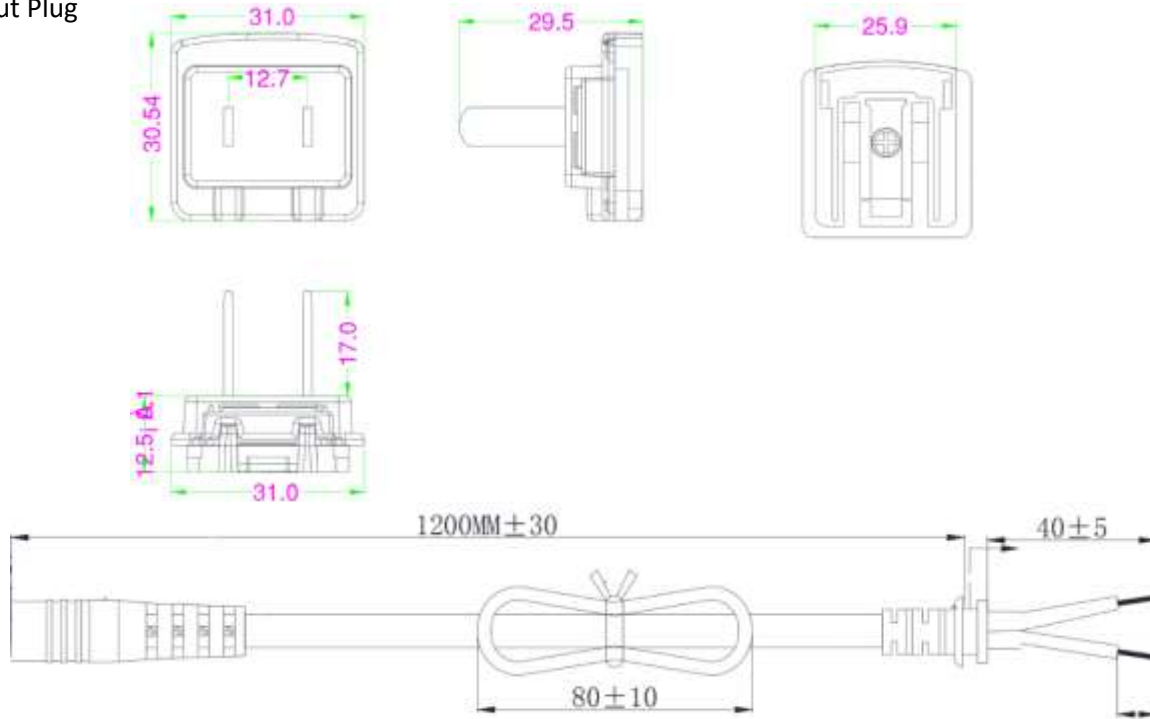
-AU Input Plug



-UK Input Plug

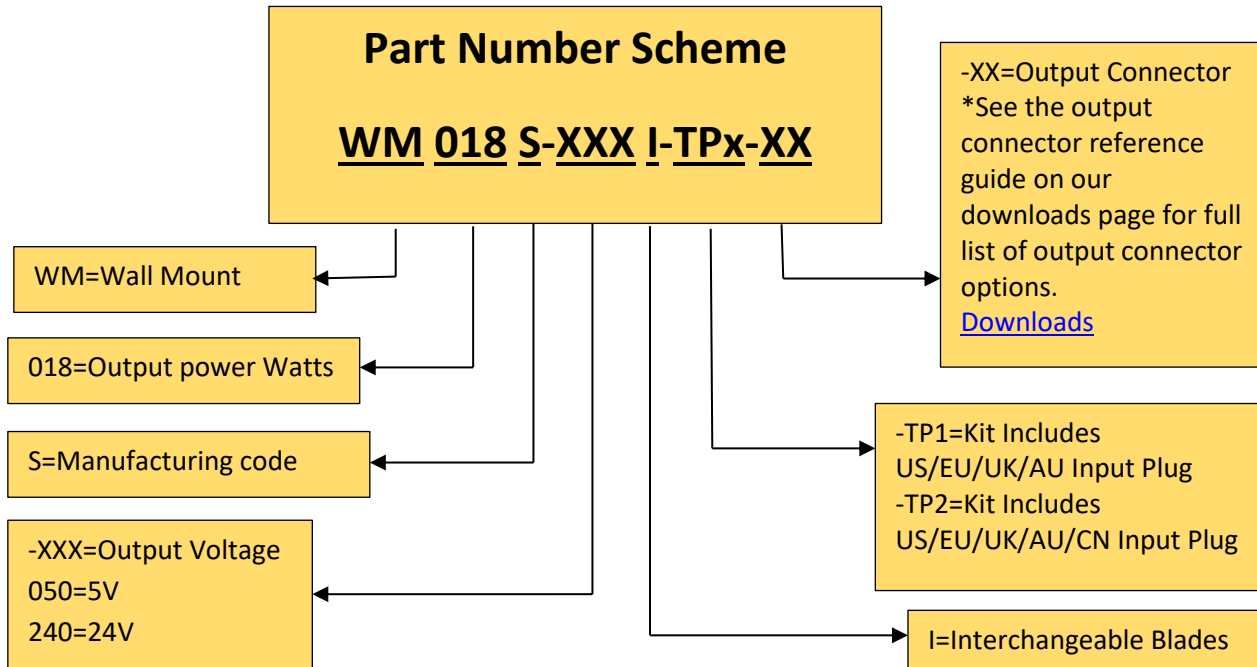


-CN Input Plug



Part Number Scheme

WM 018 S-XXX I-TPx-XX



*Product images are for illustrative purposes only and may vary from actual design.

*Specifications are subject to change without notice. Autec is not responsible for issues arising from errors or omissions.

Technical Sales / Customer Service: +1-818-338-7788 • Email: sales@autec.com
31328 Via Colinas Suite 102 • Westlake Village, CA 91362 USA • www.autec.com

April 19, 2019