



# Product Change Notification



Product Group: Vishay Tantalum capacitors / Issue Date October 20, 2020 /PCN-TC-013-2020 Rev 0

## Unification of Marking styles for T52 series

**DESCRIPTION OF CHANGE:** Change Marking style for T52 M1 and E5 cases with same style of T52 M9 case.

**CLASSIFICATION OF CHANGE:** Marking

**REASON FOR CHANGE:** Process Unification

**EXPECTED INFLUENCE ON QUALITY/RELIABILITY/PERFORMANCE:** No

**PRODUCT CATEGORY:** Tantalum Capacitors

**PART NUMBERS/SERIES/FAMILIES AFFECTED:** T52 series

**VISHAY BRAND(s):** Vishay Sprague

**TIME SCHEDULE:**

Start Shipment Date: January 21, 2021

Vishay reserves the rights to use both marking styles for transition period

**SAMPLE AVAILABILITY:** Upon Request

**PRODUCT IDENTIFICATION:** N/A

**QUALIFICATION DATA:** N/A

**This PCN is considered approved, without further notification, unless we receive specific customer concerns before Monday, December 21, 2020 or as specified by contract.**

**ISSUED BY:** Stangrit, Yuri

**For further information, please contact your regional Vishay office.**

**CONTACT INFORMATION:**

**The Americas**

Vishay Americas Inc.  
7557 Rambler Road, Suite 575  
Dallas, TX 75231-4142  
USA

Att: David Bellomy  
Phone: (254)479-0010  
Fax: +1 214-363-9444

Email: [David.Bellomy@Vishay.com](mailto:David.Bellomy@Vishay.com)

**Europe**

VISHAY Electronic GmbH.  
Dr.-Felix-Zandman-Platz 1  
Selb, D-95100  
Germany

Att: Thomas Poessnecker  
Phone: + 49 9287 712 595  
Fax: + 49 9287 712 274

Email: [Thomas.Poessnecker@Vishay.com](mailto:Thomas.Poessnecker@Vishay.com)

**Asia**

VISHAY Intertechnology Asia Pte. Ltd.  
Regional Marketing Asia  
37A Tampines Street 92, #07-00  
Singapore 528886

Att: Boon Hooi Tan  
Phone: +65-6780-7759  
Fax: +65-6780-7749

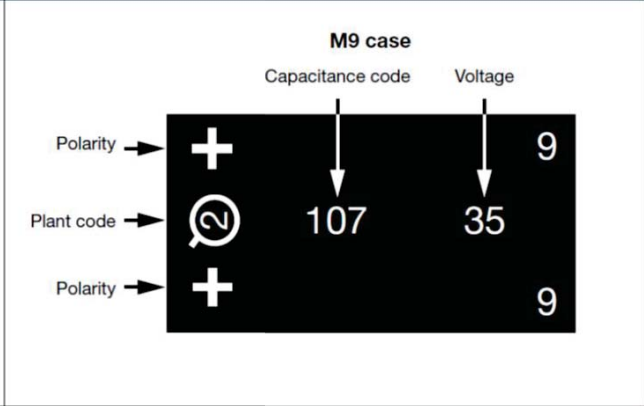
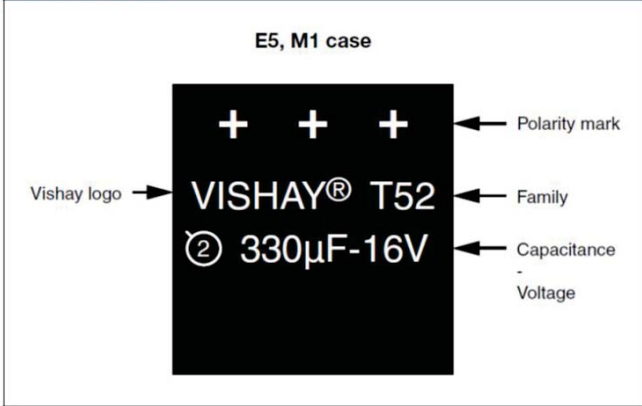
Email: [Boonhooi.Tan@Vishay.com](mailto:Boonhooi.Tan@Vishay.com)

**Vishay Intertechnology, Inc.**

Corporate Headquarters 63 Lincoln Highway, Malvern, PA 19355-2143 U.S.A. Phone (610) 644-1300 Fax (610) 296-0657 [www.vishay.com](http://www.vishay.com)

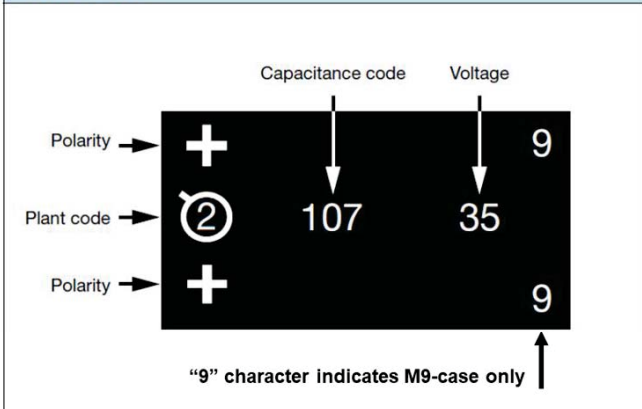
ONE OF THE WORLD'S LARGEST MANUFACTURERS OF DISCRETE SEMICONDUCTORS AND PASSIVE COMPONENT

**MARKING**



Previous marking

**MARKING**



CAPACITANCE CODE	
CAP, µF	CODE
47	476
100	107
150	157
220	227
330	337
470	477

New marking

Part Number

T52M1227M010C0055

T52M1337M010C0055

T52E5157M016C0100

T52E5157M016C0070

T52E5157M016C0050

T52M1227M016C0070

T52M1227M016C0055

T52M1337M016C0055

T52M1337M016C0040

T52M1477M016C0055

T52E5107M020C0100

T52E5107M020C0070

T52E5107M020C0055

T52E5476M025C0100

T52E5476M025C0070

T52E5476M025C0055

T52M1157M025C0100

T52M1157M025C0070

T52M1157M025C0055

T52M1227M025C0100

T52M1227M025C0070

T52M1227M025C0055

T52E5476M035C0100

T52E5476M035C0070

T52E5476M035C0055

T52M1107M035C0100

T52M1107M035C0070

T52M1107M035C0055

T52M9107M035C0100

T52M9107M035C0070

T52M9107M035C0055