

6

5

4

3

2

1

D

C

B

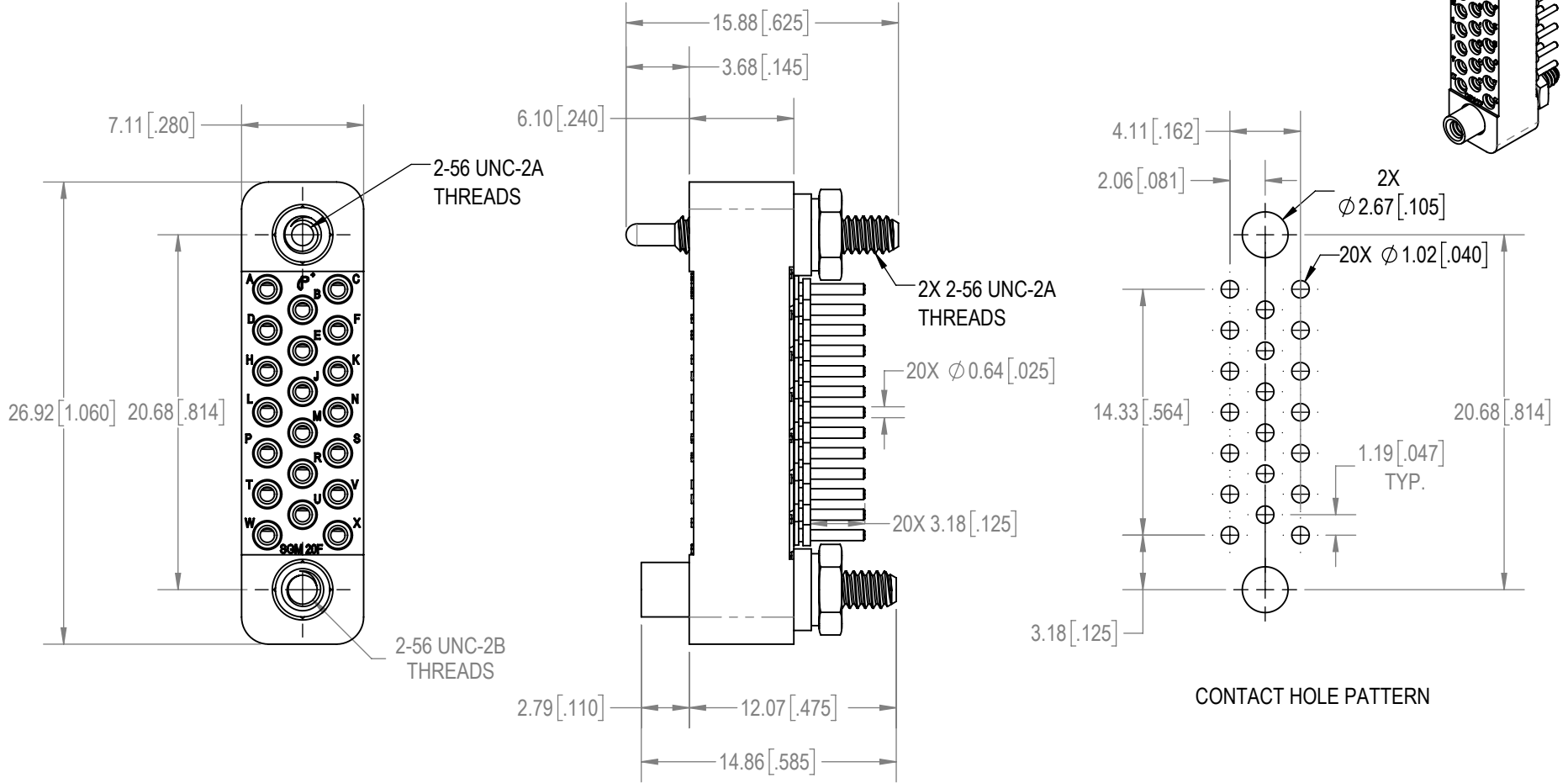
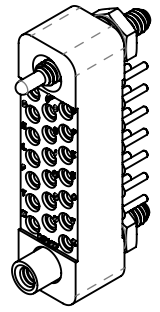
A

D

C

B

A



**NOTES:**

- MATERIAL AND FINISHES:**  
 INSULATOR: GLASS FILLED DAP PER ASTM-D-5948 TYPE SDG-F, GREY COLOR.  
 CONTACTS: PRECISION MACHINED COPPER ALLOY, 0.38µ [0.000015] GOLD OVER NICKEL PLATE.  
 SPRING CLIPS: PHOSPHOR BRONZE, GOLD FLASH OVER NICKEL PLATE  
 POLARIZING GUIDES: STAINLESS STEEL, PASSIVATED.  
 HEX NUTS AND WASHERS: NYLON.
- DETAIL PRODUCT, ELECTRICAL AND MECHANICAL INFORMATION IS AVAILABLE IN THE LATEST HIGH DENSITY RECTANGULAR PRODUCT PUBLICATION AT [CONNECTPOSITRONIC.COM](http://CONNECTPOSITRONIC.COM).

BY	AP	CHK	AB	3RD ANGLE	 <small>POSITRONIC BELIEVES THE DATA ON THE DRAWING TO BE RELIABLE. THE USER EMPLOYS SUCH INFORMATION AT HIS OWN DISCRETION AND RISK. POSITRONIC ASSUMES NO RESPONSIBILITY FOR RESULTS OBTAINED OR DAMAGES INCURRED FROM USE OF SUCH INFORMATION IN WHOLE OR IN PART.</small>	 <b>Positronic®</b>
APR	PA	RELEASED DATE:	2022-03-15	SCALE		
TOLERANCES				PART NUMBER		SERIES
<small>±0.03mm [0.001 INCHES] FOR MALE CONTACT MATING DIAMETERS          ±0.08mm [0.003 INCHES] FOR CONTACT TERMINATION DIAMETERS          ±0.13mm [0.005 INCHES] FOR ALL OTHER DIAMETERS          ±0.38mm [0.015 INCHES] FOR ALL OTHER DIMENSIONS          ±5° FOR ALL ANGLES          DIMENSION ARE IN MILLIMETERS [INCHES]</small>				SGM20SDS4T0000		SGM
TITLE				CREATED ON:		SHEET
SGM20SDS4T0000				2022-03-04		SHEET 1 OF 1
				REV		A

6

5

4

3

2

1