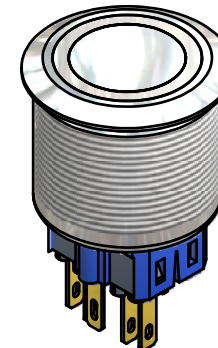
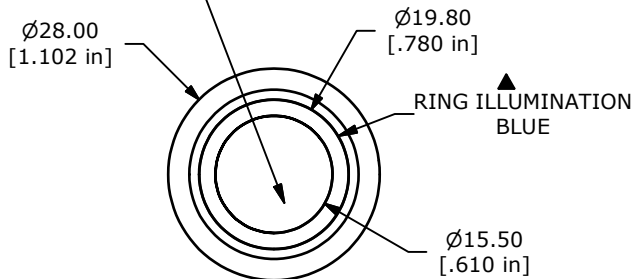


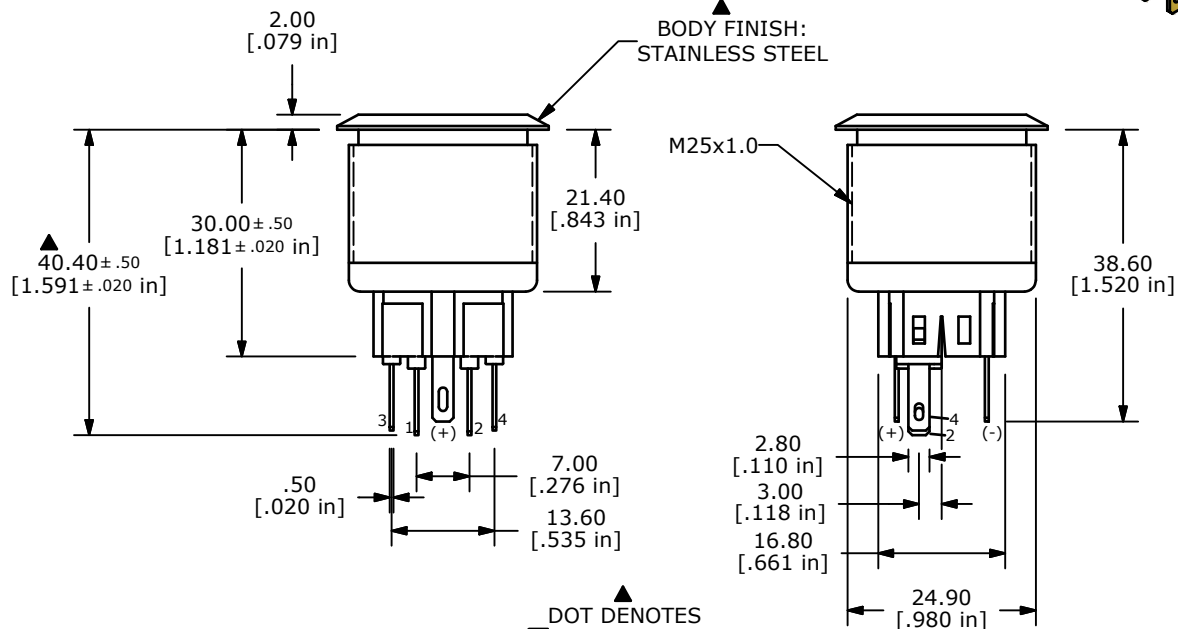
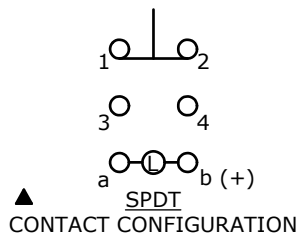
PANEL CUTOUT
MAX. PANEL THICKNESS 10mm

SWITCH FUNCTION	
POS. 1	POS. 2
1-2	3-4

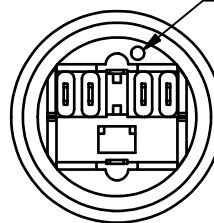
▲ ACTUATOR FINISH:
STAINLESS STEEL



▲ BODY FINISH:
STAINLESS STEEL



▲ DOT DENOTES
LED COLOR



- NOTE:
1. ALL DIMENSIONS IN MM [INCH]
 2. GENERAL TOLERANCE: X.X = ± 0.4
X.XX = ± 0.25
 3. TERMINAL NOS. FOR REF. ONLY
 - ▲ 4. FUNCTION: SPDT
 - ▲ 5. RATING: 2A @ 48VDC
 6. ILLUMINATION VOLTAGE: 20mA 2.8V
 7. CONTACT RESISTANCE: 50mΩ MAX. @ 1A 12VDC
 8. INSULATION RESISTANCE: 1,000MΩ @ 500VDC
 9. DIELECTRIC STRENGTH: 2,000VAC MIN. FOR 1 MINUTE
 10. ELECTRICAL LIFE: 50,000 CYCLES
 11. OPERATING TEMPERATURE: -20°C TO 70°C
 12. INGRESS PROTECTION: IP65
 13. SUPPLIED HARDWARE: O-RING AND HEXNUT
 - ▲ 13. DENOTES CRITICAL PARAMETER
 13. 2002/95/EC (ROHS) COMPLIANT
 - ▲ 14. ILLUMINATION COLOR: BLUE (FORWARD), BLUE (REVERSE)



TITLE PV8F2T0SS-341

A	20533	RELEASE FOR PRODUCTION	3/19/2012	MM
REV	PCR NO	DESCRIPTION	DATE	BY

THE INFORMATION CONTAINED IN THIS DOCUMENT IS PROPRIETARY
TO E-SWITCH AND IS NOT TO BE COPIED OR TRANSFERRED

SCALE	DATE	DR	DWG	REV
1:1	1/25/2012	BGL	52-PV8F2T0SS341	A