

ECN/PCN No.: 3856

For Manufacturer			
<b>Product Description:</b> Clock Oscillator	<b>Abracon Part Number / Part Series:</b> O10M000000S202	<input type="checkbox"/> Documentation only <input type="checkbox"/> ECN <input checked="" type="checkbox"/> EOL	<input type="checkbox"/> Series <input checked="" type="checkbox"/> Part Number
<b>Affected Revision:</b> A	<b>New Revision:</b> EOL	<b>Application:</b>	<input type="checkbox"/> Safety <input checked="" type="checkbox"/> Non-Safety
<b>Prior to Change:</b> O10M000000S202 Rev. A (page 2)  <a href="https://abracon.com/datasheets/AEL-Crystals/PN/O10M000000S202.pdf">https://abracon.com/datasheets/AEL-Crystals/PN/O10M000000S202.pdf</a>			
<b>After Change:</b>  EOL			
<b>Cause/Reason for Change:</b> Discontinuation of this older product package type and associated manufacturing capability.			
Change Plan			
<b>Effective Date:</b> 06/24/2021	<b>Additional Remarks:</b>		
<b>Change Declaration:</b>			
<b>Issued Date:</b> 06/24/2021	<b>Issued By:</b> <i>Stephanie Lopez</i>	<b>Issued Department:</b> Engineering	
<b>Approval:</b> <i>Thomas Culhane</i> Engineering Director	<b>Approval:</b> <i>Reuben Quintanilla</i> Quality Director	<b>Approval:</b> <i>Ying Huang</i> Purchasing Director	
For Abracon EOL only			
<b>Last Time Buy (if applicable):</b> None	<b>Alternate Part Number / Part Series:</b> None		
<b>Additional Approval:</b>	<b>Additional Approval:</b>	<b>Additional Approval:</b>	
Customer Approval (If Applicable)			
<b>Qualification Status:</b> <div style="text-align: center;"> <input type="checkbox"/> Approved <input type="checkbox"/> Not accepted         </div> <i>Note: It is considered approved if there is no feedback from the customer 1 month after ECN/PCN is released.</i>			
<b>Customer Part Number:</b>		<b>Customer Project:</b>	
<b>Company Name:</b>	<b>Company Representative:</b>	<b>Representative Signature:</b>	
<b>Customer Remarks:</b>			

# O10M000000S202

Clock Oscillator  
14.0mm x 9.0mm

**AEL**  
CRYSTALS

Powered By **ABRACON**

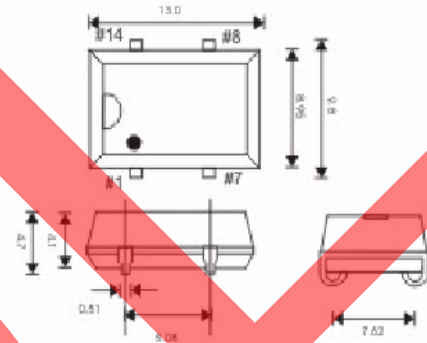
## Features

- SMD Crystal Oscillator
- Stability:  $\pm 100$ ppm
- Operating Temperature  $-10^{\circ}\text{C}$  to  $+70^{\circ}\text{C}$

## STANDARD SPECIFICATIONS

PARAMETERS	MAX (Unless otherwise noted)
Frequency Range	<b>10.000000MHz</b>
Overall Stability	<b><math>\pm 100</math> ppm</b>
Operating Temp. Range	<b><math>-10^{\circ}\text{C}</math> to <math>+70^{\circ}\text{C}</math></b>
Storage Temperature Range	<b><math>-55^{\circ}\text{C}</math> + <math>125^{\circ}\text{C}</math></b>
Input Voltage ( $V_{DD}$ )	<b>5V DC</b>
Max Input Current	<b>23mA</b>
0 Level	<b><math>0.5V/10\% V_{dd}</math></b>
1 Level	<b><math>2.4V/90\% V_{dd}</math> Min</b>
Symmetry (%)	<b>45/55</b>
Output Load	<b>1-10 LSTTL/15pF</b>
Output Waveform	<b>TTL/CMOS</b>
Rise Fall Time	<b>10.00ns</b>
Startup Time	<b>10.00ms</b>
Enable Disable Function	<b>Tri-State</b>

## DIMENSIONS / MECHANICAL SPECIFICATIONS



PIN CONNECTIONS	
PIN # 1	E/D
# 7	Ground
# 8	Output
# 14	Supply Voltage

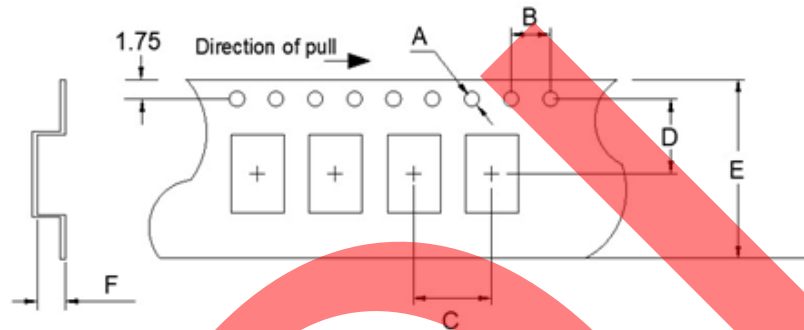
Dimensions are in mm

# O10M000000S202

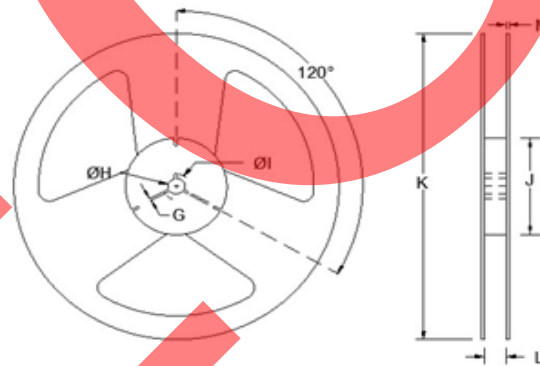
Clock Oscillator  
14.0mm x 9.0mm



TAPE SPECIFICATIONS (mm)						
A	B	C	D	E	F	REEL QTY
ø1.56	4.0	12.0	11.5	24.0	4.8	1,000



REEL SPECIFICATIONS (mm)						
G	H	I	J	K	L	M
2.2	ø13.3	ø22	ø80	330	25.5	2.0



LINE	MARKING
1	AEL4510CSH
2	Freq
3	WWYY

RELIABILITY TEST CONDITIONS
Please contact Abracon Quality Assurance department