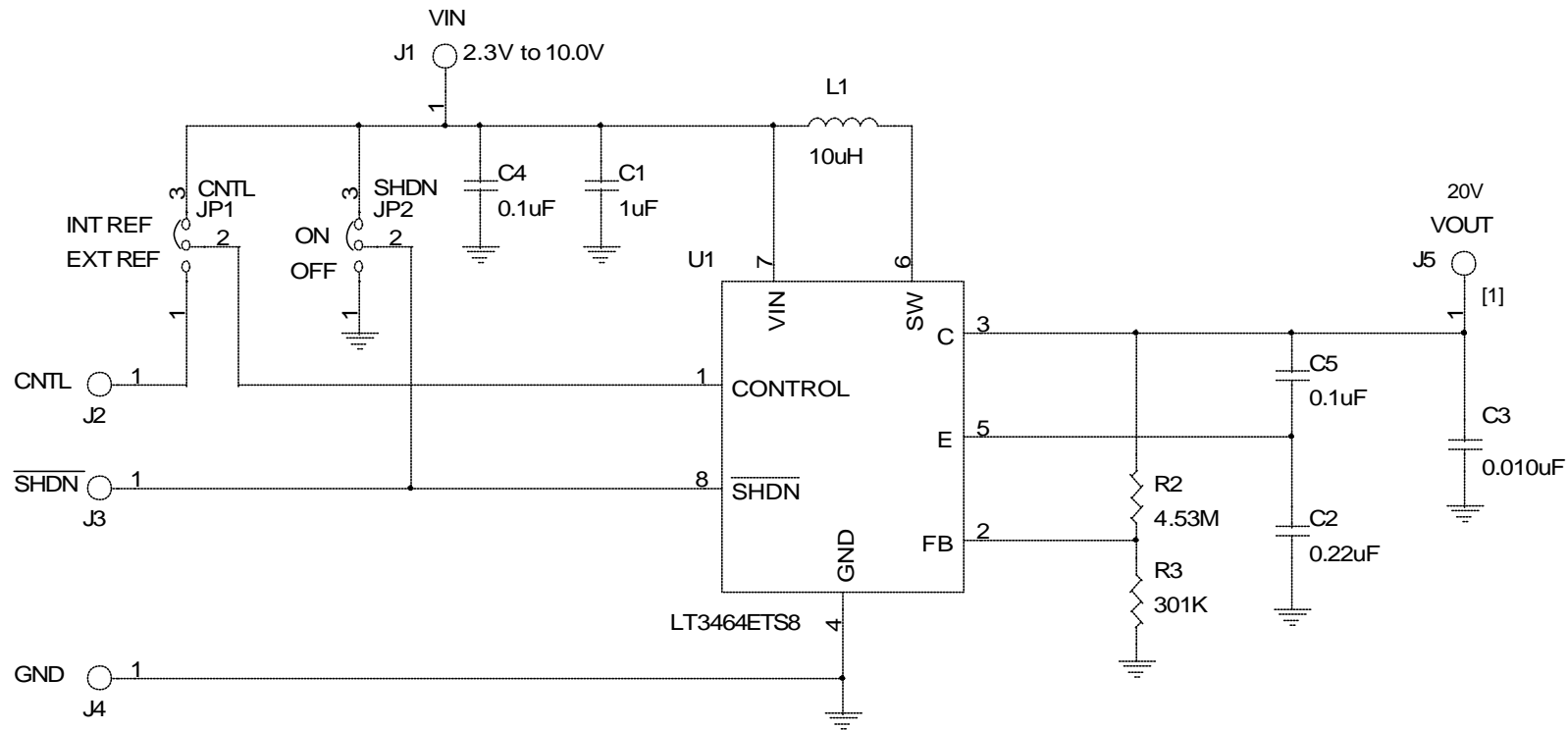



REVISION HISTORY				
ECO	REV	DESCRIPTION	DATE	APPROVED
	2	PROTO	01/29/03	



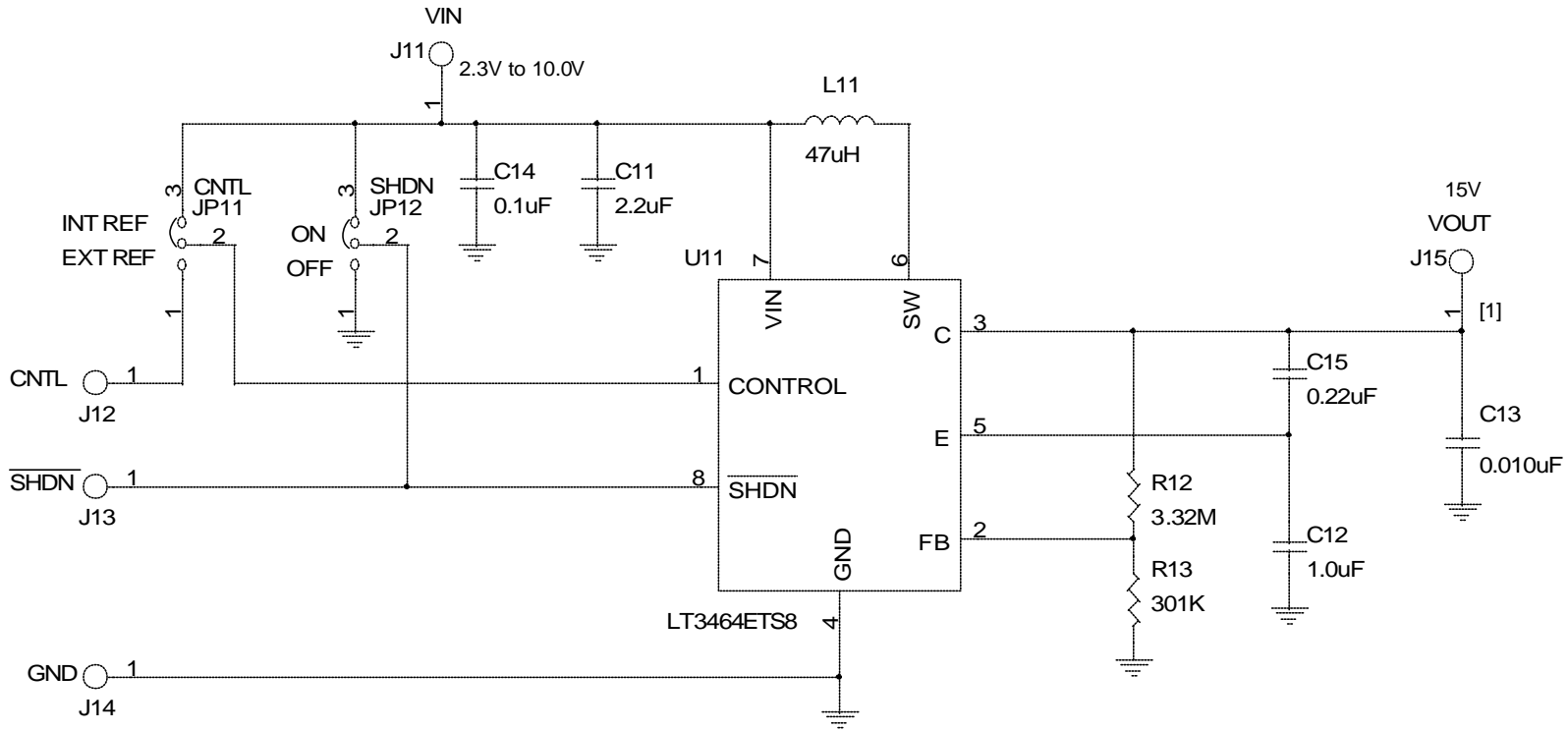
SMALL SIZE

NOTES: UNLESS OTHERWISE SPECIFIED,

- [1] Iout (MAX) = 3mA at VIN=3.6V
- Iout (MAX) = 4mA at VIN=5.0V
- Iout (MAX) = 6mA at VIN=8.4V

CONTRACT NO.		 LINEAR TECHNOLOGY 1630 McCarthy Blvd. Milpitas, CA 95035 Phone: (408)432-1900 Fax: (408)434-0507	
APPROVALS	DATE		
DRAWN MEI	09/26/02	TITLE SCH, LT3464ETS8 BOOST CONVERTER	
CHECKED		SIZE	CAGE CODE
APPROVED		DWGNO DC612A	
ENGINEER		REV 2	
DESIGNER		SCALE:	FILENAME: 612A-2.DSN
Monday, March 10, 2003		SHEET 1	OF 2


REVISION HISTORY				
ECO	REV	DESCRIPTION	DATE	APPROVED
	2	PROTO	01/29/03	



HIGH PERFORMANCE

NOTES: UNLESS OTHERWISE SPECIFIED,

- [1] Iout (MAX) = 9mA at VIN = 3.6V
- Iout (MAX) = 14mA at VIN = 5.0V
- Iout (MAX) = 25mA at VIN = 8.4V

CONTRACT NO.		 LINEAR TECHNOLOGY 1630 McCarthy Blvd. Milpitas, CA 95035 Phone: (408)432-1900 Fax: (408)434-0507	
APPROVALS	DATE		
DRAWN MEI	09/26/02	TITLE SCH, LT3464ETS8 BOOST CONVERTER	
CHECKED			
APPROVED			
ENGINEER			
DESIGNER		SIZE	CAGE CODE
		DWGNO DC612A	
Monday, March 10, 2003		SCALE:	REV 2
		FILENAME: 612A-2.DSN	SHEET 2 OF 2