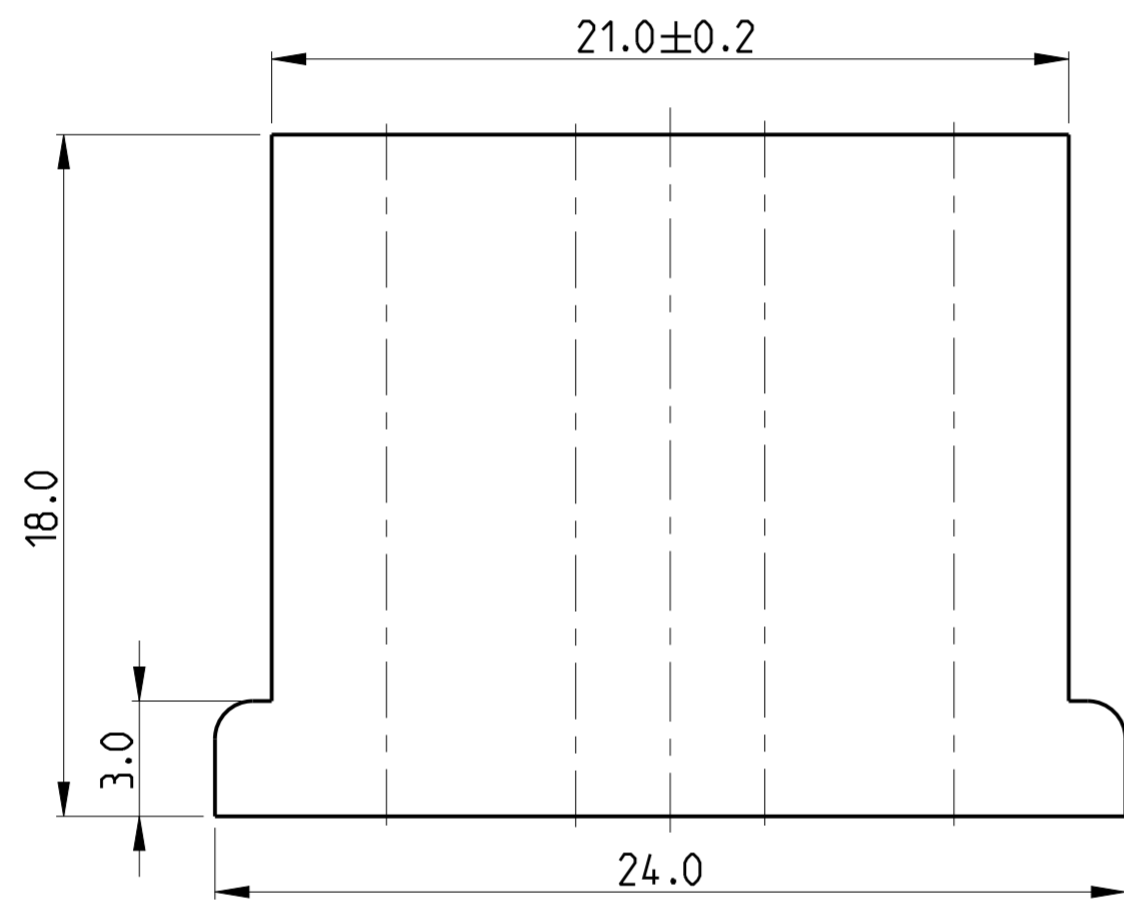
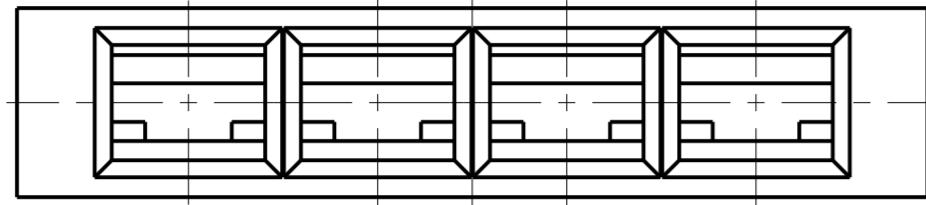
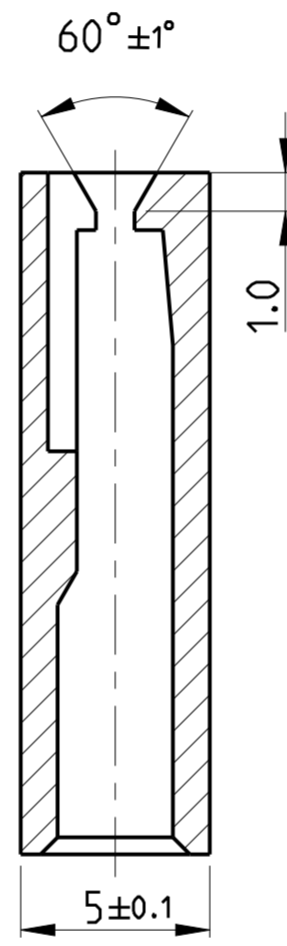


THIS DRAWING IS UNPUBLISHED. RELEASED FOR PUBLICATION 2009
 © COPYRIGHT 2009 ALL RIGHTS RESERVED.

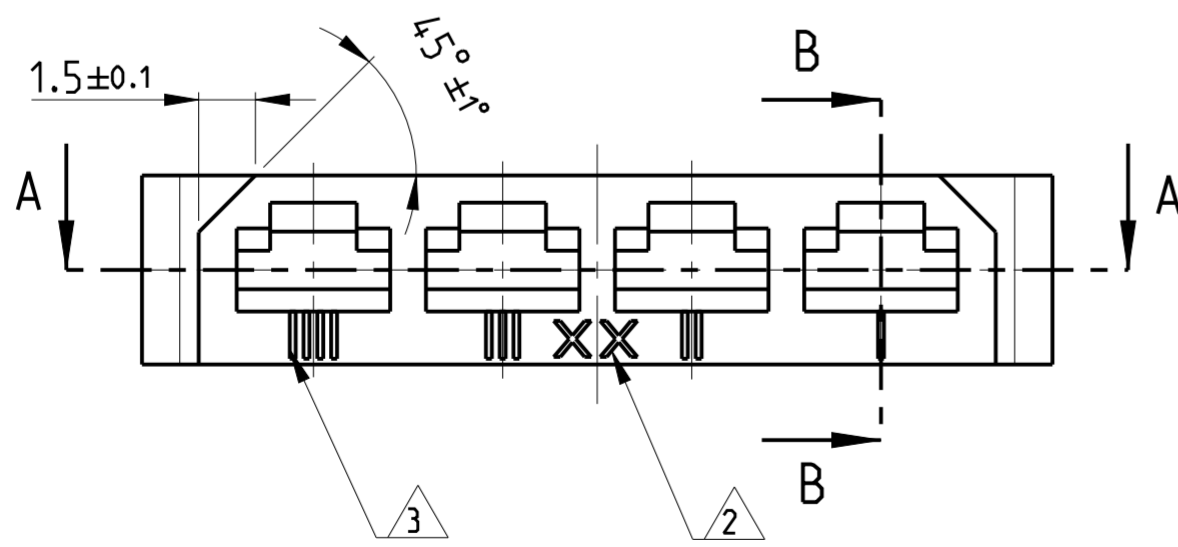
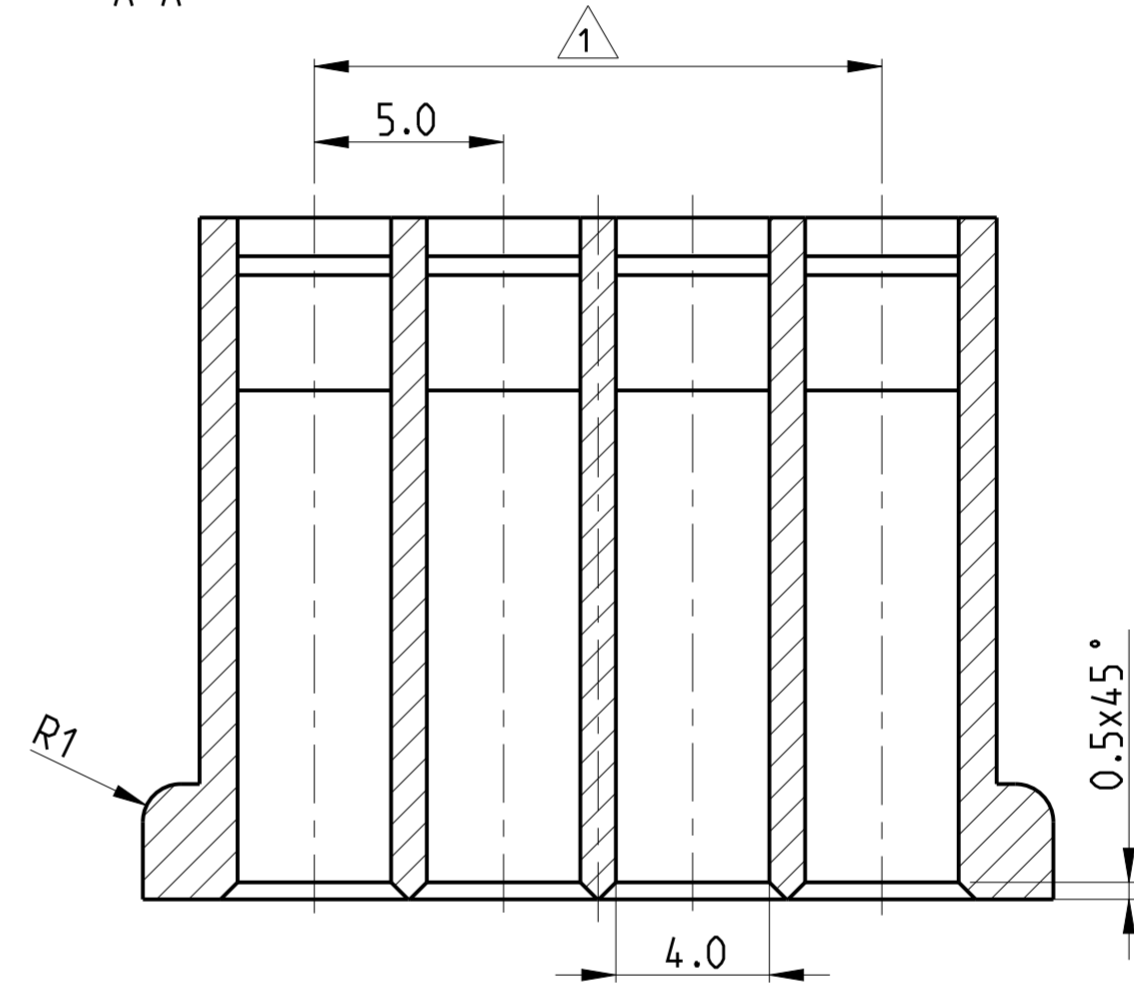
LOC		DIST		REVISIONS			
P	LTR	DESCRIPTION	DATE	DWN	APVD		
		Tolerance ± 0.1 was -0.1	23SEP1971	-	-		
C1		new drawing created; dimension 21.0 ± 0.2 was 21.0 ± 0.1	02SEP2009	Kirsch	Stre.		
C2		Cavity identification added	31MRZ2011	Hom.	Stre.		
C3		REVISED PER ECR-21-101990	19APR2021	SS	EW		



B-B

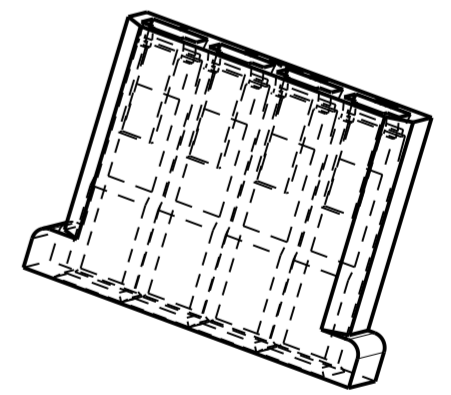


A-A



NOTE: Bemerkungen:

- 1 TOLERANCE FOR ANY DIVISION ± 0.1 mm
Toleranz beliebiger Teilungen ± 0.1 mm
- 2 MOULD CAVITY NUMBER
Werkzeugnestzahl
- 3 CAVITY IDENTIFICATION
Kammerbezeichnung
- 4 INTERNAL FLASH INSIDE CAVITY (THIN AND FLEXIBLE THAT DO NOT COME OFF) ACCEPTABLE UP TO 0.15 mm. EXTERNAL FLASH ACCEPTABLE UP TO 0.4 mm



2:1

925016-0	NYLON	NATURAL
PART NO.	MATERIAL	COLOUR

THIS DRAWING IS A CONTROLLED DOCUMENT.		DWN J.Kirschbaum 02SEP2009	TE Connectivity	
DIMENSIONS: mm		CHK F.Stredak 03SEP2009	NAME 4POS. FASTIN-FASTON REC. HSG. SER.110 4pol. F.F. Steckhuelsengehaeuse SERIE 2.8	
TOLERANCES UNLESS OTHERWISE SPECIFIED: ± 0.2 mm		APVD M.Bleicher 04SEP2009	SIZE A2	
0 PLC \pm 1 PLC \pm 2 PLC \pm 3 PLC \pm 4 PLC \pm		PRODUCT SPEC -	CAGE CODE 00779	
ANGLES \pm		APPLICATION SPEC -	DRAWING NO G-925016	
FINISH		WEIGHT -	RESTRICTED TO C3	
SEE TABLE		RESTRICTED CUSTOMER		
		SCALE 5:1		SHEET 1 OF 1