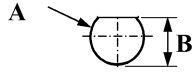
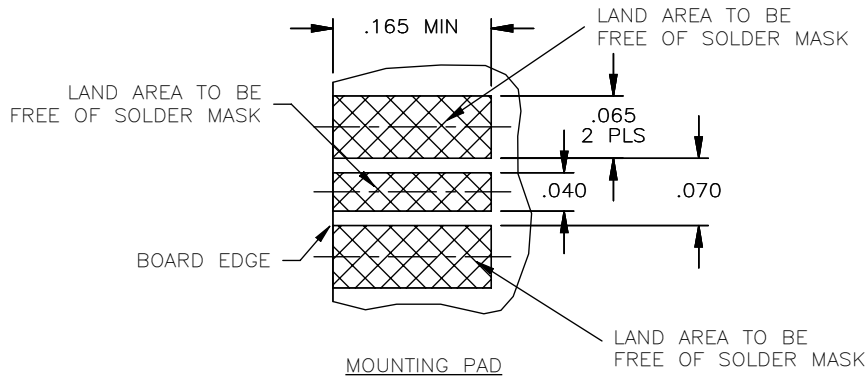
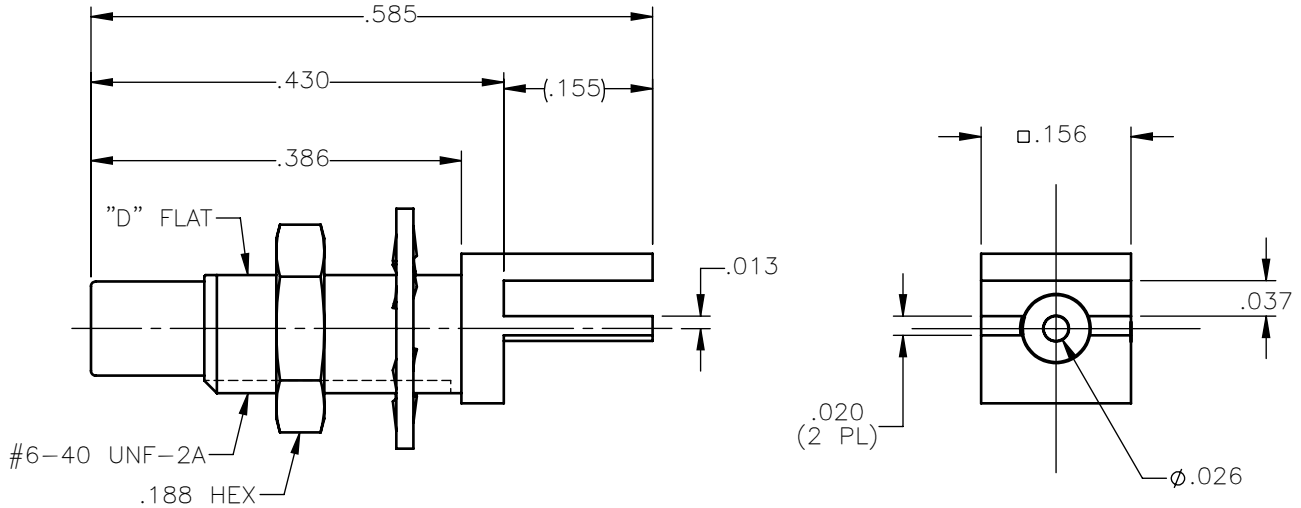


**PANEL CUT OUT**



inches		
	Maxi	mini
A	.143	.140
B	.129	.126

REVISIONS			
REV.	DESCRIPTION	DATE	APPROVED
A	INITIAL RELEASE	03/15/18	C.E.





NOTES:

MATERIALS:

1. BODY & NUT = BRASS PER ASTM B16, ALLOY C36000, TEMPER H02.
2. INSULATOR = VIRGIN WHITE TEFLON PER ASTM D1710, GRADE 1, TYPE I, CLASS "B".
3. CONTACT = BERYLLIUM COPPER PER ASTM B196, ALLOY C17300, TEMPER TD04.
4. LOCKWASHER = PHOSPHOR BRONZE PER ASTM B139, COPPER ALLOY C53400, TEMPER H04.

FINISHES:

1. CONTACT = GOLD PLATE PER ASTM B488-11, TYPE II, 50µin MIN, GRADE C, OVER 100 TO 200µin STRESS FREE SULFAMATE NICKEL PER AMS-QQ-N-290.
2. ALL OTHER METAL PARTS = GOLD PLATE PER ASTM B488-11, TYPE II, 30µin MIN, GRADE C OVER 100 TO 200µin COPPER STRIKE PER AMS 2418.

UNLESS OTHERWISE SPECIFIED DIMENSIONS ARE IN INCHES TOLERANCES ON	DWN: C.E.	DATE: 03/15/18	 Property of Radiall This document cannot be reproduced or communicated to a third party without prior written permission of RADIALL.		
	CHKD: D.N.	DATE: 03/15/18			
DECIMAL	ANGLE	APVD: J.M.	<b>SSMC STRAIGHT MALE JACK BULKHEAD/EDGE MOUNT FOR .032 BOARD</b>		
		DATE: 03/15/18			
REFERENCE:	MATERIALS & FINISHES:	SIZE: A	FSCM NO.: 19505	DWG NO.: 7029-1511-060	REV: A
ORIGINATED: C.E. DATE: 03/15/18	SEE NOTES	SCALE: 5:1	THIRD ANGLE PROJECTION		SHEET 1 OF 1

7029-1511-060