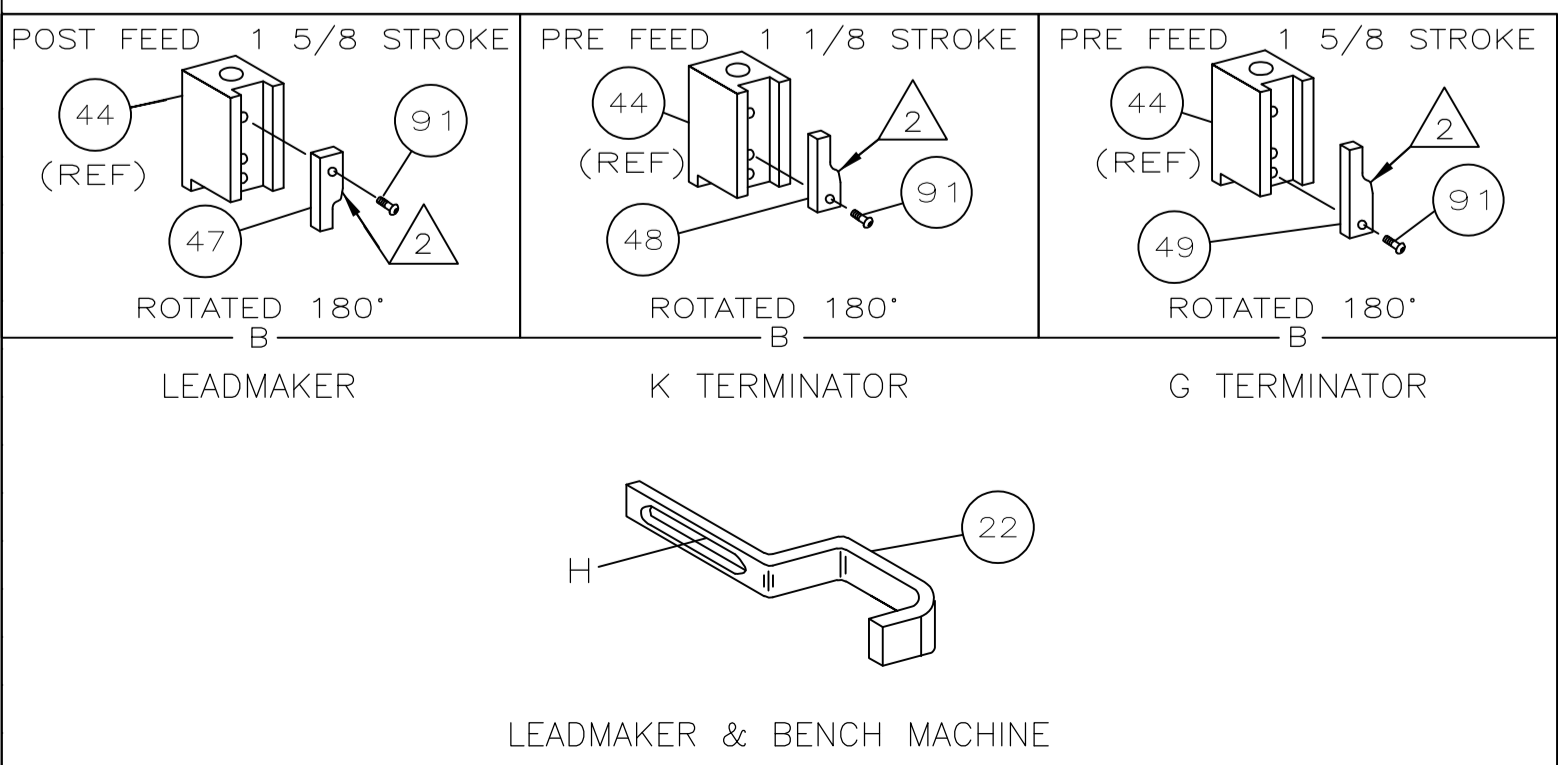
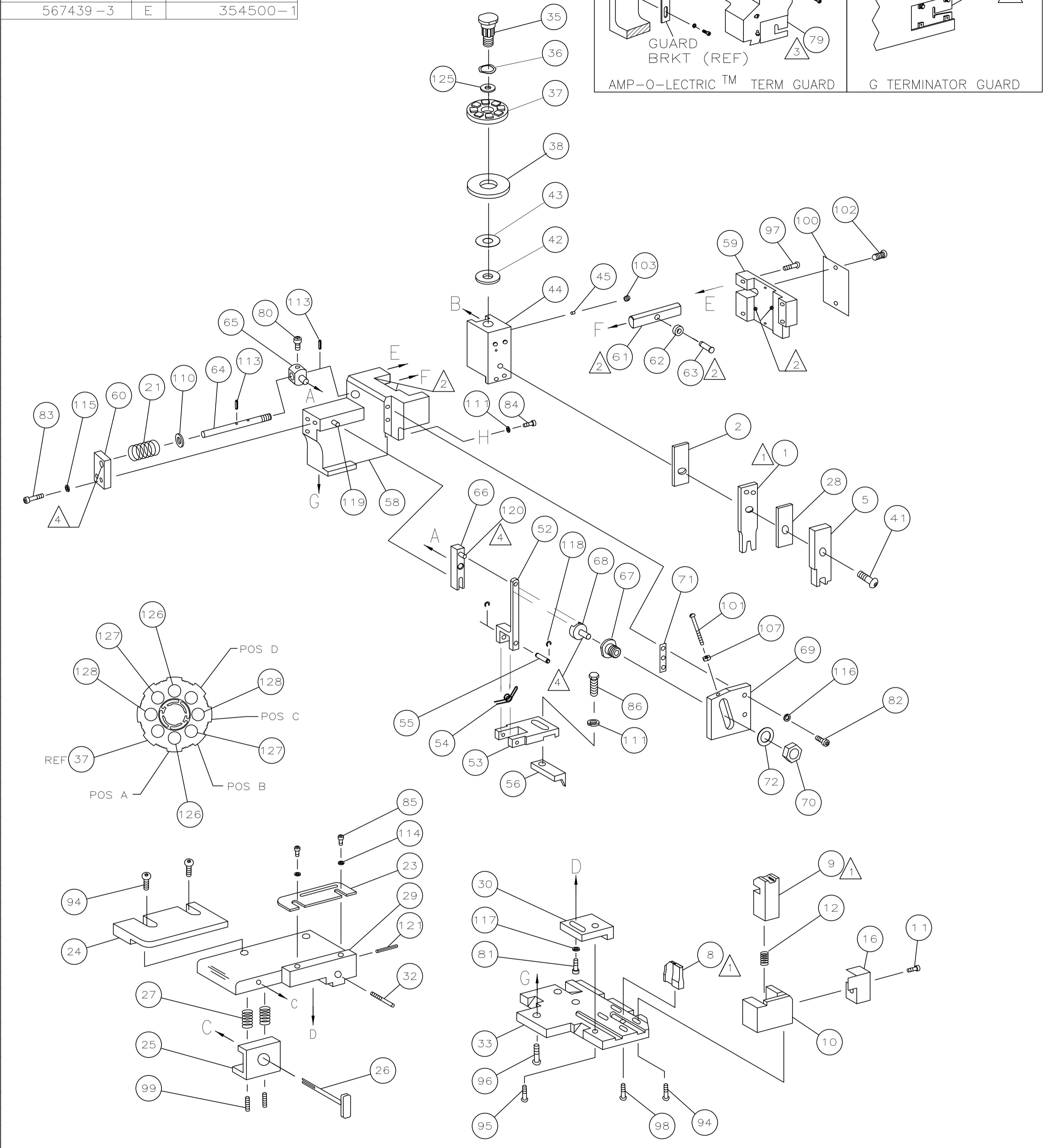
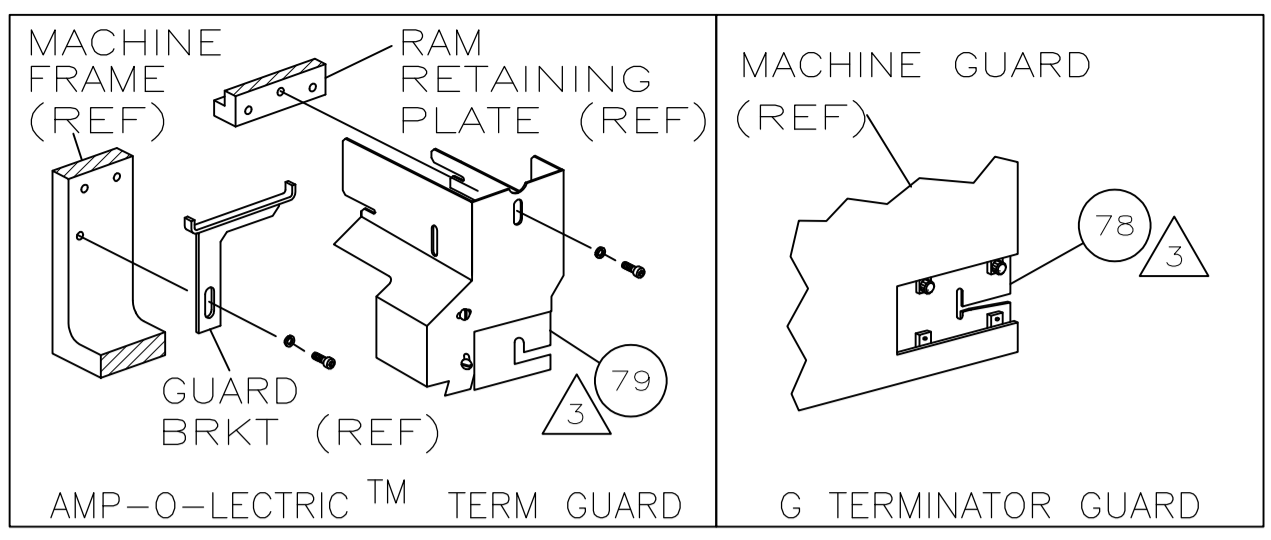


| PART NUMBER | REV | FIRST USED |
|-------------|-----|------------|
| 567439-1    | E   | 122500-1   |
| 567439-2    | E   | 565435-5   |
| 567439-3    | E   | 354500-1   |



- 1 RECOMMENDED SPARE PARTS.
- 2 GREASE LIGHTLY.
- 3 GUARD MUST BE IN PLACE WHEN OPERATING APPLICATOR IN A BENCH MACHINE.
- 4 LUBRICATE DAILY USING NO. 20 MACHINE OIL.
- 5. ITEMS WITH QTY OF REF SPECIFIED (EXCEPT ITEMS 78 AND 79) ARE USED ON ITEM 46.
- 6 NOT RECOMMENDED.

| TERMINAL NAME: SPLICE |                | AMP TERMINAL AMP CRIMP SPECS |                  |             |        |
|-----------------------|----------------|------------------------------|------------------|-------------|--------|
| 62759                 | PAD LTR        | CRIMP HEIGHT                 | WIRE SIZE        |             |        |
|                       | A              | .054 ±.002 [1.37 ±0.05mm]    | 1200-1600 CMA    |             |        |
|                       | B              | .050 ±.002 [1.27 ±0.05mm]    | 800-1200 CMA     |             |        |
|                       | C              | .046 ±.002 [1.17 ±0.05mm]    | 400-800 CMA      |             |        |
|                       | D              | NOT                          | USED             |             |        |
| CRIMP                 | SIZE           | TYPE                         | RANGE            |             |        |
| WIRE                  | .070 [1.78mm]  | F                            | 400-16000 CMA    |             |        |
| INSUL                 | -              | -                            | -                |             |        |
| WIRE STRIP LENGTH     | TERM APPL SPEC | FEED                         | APPL INSTRUCTION | SET UP GAGE | LAYOUT |
| .110-.140             | 114-2088       | .330                         | 408-8040         | 458637-1    | L1442  |

| QTY | REF | REF | REF | REF       | DESCRIPTION                     | ITEM NO |
|-----|-----|-----|-----|-----------|---------------------------------|---------|
| 1   | 1   | 1   | -   | 4-21028-0 | PIN,SLT SPR(Ø.093x.75)ST GDE PL | 121     |
| 1   | REF | REF | REF | 1-21030-1 | PIN,DOWEL(Ø.187x.50)LEVER       | 120     |
| 1   | REF | REF | REF | 1-21030-6 | PIN,DOWEL(Ø.187x1.25)HOUSING    | 119     |
| 1   | REF | REF | REF | 21045-3   | RING,RET "C"(Ø.187)FD FING PIN  | 118     |
| 1   | 1   | 1   | 1   | 21024-5   | WASHER, LOCK(#10)ADJ BLOCK      | 117     |
| 1   | REF | REF | REF | 21024-5   | WASHER,LOCK(#10)ADJ PLATE       | 116     |
| 1   | REF | REF | REF | 21024-5   | WASHER,LOCK(#10)FEED GDE ROD    | 115     |
| 2   | 2   | 2   | -   | 21024-2   | WASHER,LOCK(#4)FRONT STP GUIDE  | 114     |
| 1   | REF | REF | REF | 5-21028-1 | PIN,SLT SPR(Ø.125x.50)ADJ ROD   | 113     |
| 2   | 2   | 2   | -   | 21024-4   | WASHER,LOCK(#8)STRIPPER         | 111     |
| 1   | REF | REF | REF | 21899-4   | WASHER,FLAT(Ø5/16)SCREW ADJ     | 110     |
| 1   | REF | REF | REF | 21068-5   | NUT,HEX(6-32)FEED ADJ           | 107     |
| 1   | 1   | 1   | -   | 21009-2   | SCR,SKT SET(1/4-20x.25 LW)RAM   | 103     |
| 2   | 2   | 2   | -   | 21017-2   | SCR,DRIVE(#2x.19)ID PLATE       | 102     |
| 1   | REF | REF | REF | 6-23715-5 | SCR,PAN HD(6-32x1.50)FEED ADJ   | 101     |
| 1   | 1   | 1   | -   | 461264-1  | PLATE, IDENTIFICATION           | 100     |
| 2   | 2   | 2   | -   | 5-21006-6 | SCR,SET(10-32x.75)DRAG          | 99      |
| 1   | 1   | 1   | -   | 22733-8   | SCR,BHC(8-32x.38 LW)ANVIL       | 98      |
| 1   | REF | REF | REF | 2-21002-9 | SCR,BHC(10-32x.75)CAP           | 97      |
| 1   | REF | REF | REF | 2-22733-8 | SCR,BHC(1/4-20x.62)HOUSING      | 96      |
| 1   | REF | REF | REF | 2-21002-7 | SCR,BHC(10-32x.50)SG ADJ BLOCK  | 95      |
| 4   | 4   | 4   | -   | 2-21002-2 | SCR,BHC(8-32x.50)TERM H DWN     | 94      |
| 1   | 1   | 1   | -   | 1-21002-7 | SCR,BHC(6-32x.38)CAM            | 91      |
| 1   | 1   | 1   | -   | 2-22603-0 | SCR,HEX HD(8-32x.31)FEED FINGER | 86      |
| 2   | 2   | 2   | -   | 1-21000-3 | SCR,SHC(4-40x.25)FR ST GUIDE    | 85      |
| 1   | 1   | 1   | -   | 2-21000-7 | SCR,SHC(8-32x.50)STRIPPER       | 84      |
| 1   | REF | REF | REF | 3-21000-7 | SCR,SHC(10-32x.75)FEED ROD GD   | 83      |
| 1   | REF | REF | REF | 3-21000-6 | SCR,SHC(10-32x.62)FD ADJ BLK    | 82      |
| 1   | 1   | 1   | -   | 3-21000-4 | SCR,SHC(10-32x.38)SG ADJ BL     | 81      |
| 1   | REF | REF | REF | 3-21000-4 | SCR,SHC(10-32x.38)PIVOT BLK     | 80      |
| -   | REF | -   | -   | 455749-1  | GUARD, WINDOW                   | 79      |
| 1   | REF | -   | -   | 679532-1  | INSERT, GUARD                   | 78      |
| 1   | 1   | 1   | -   | 1-21002-7 | SCR,BHC(6-32x.38)CAM            | 91      |
| 1   | 1   | 1   | -   | 2-22603-0 | SCR,HEX HD(8-32x.31)FEED FINGER | 86      |
| 2   | 2   | 2   | -   | 1-21000-3 | SCR,SHC(4-40x.25)FR ST GUIDE    | 85      |
| 1   | 1   | 1   | -   | 2-21000-7 | SCR,SHC(8-32x.50)STRIPPER       | 84      |
| 1   | REF | REF | REF | 3-21000-7 | SCR,SHC(10-32x.75)FEED ROD GD   | 83      |
| 1   | REF | REF | REF | 3-21000-6 | SCR,SHC(10-32x.62)FD ADJ BLK    | 82      |
| 1   | 1   | 1   | -   | 3-21000-4 | SCR,SHC(10-32x.38)SG ADJ BL     | 81      |
| 1   | REF | REF | REF | 3-21000-4 | SCR,SHC(10-32x.38)PIVOT BLK     | 80      |
| -   | REF | -   | -   | 455749-1  | GUARD, WINDOW                   | 79      |
| 1   | REF | -   | -   | 679532-1  | INSERT, GUARD                   | 78      |
| 1   | 1   | 1   | -   | 1-21002-7 | SCR,BHC(6-32x.38)CAM            | 91      |
| 1   | 1   | 1   | -   | 2-22603-0 | SCR,HEX HD(8-32x.31)FEED FINGER | 86      |
| 2   | 2   | 2   | -   | 1-21000-3 | SCR,SHC(4-40x.25)FR ST GUIDE    | 85      |
| 1   | 1   | 1   | -   | 2-21000-7 | SCR,SHC(8-32x.50)STRIPPER       | 84      |
| 1   | REF | REF | REF | 3-21000-7 | SCR,SHC(10-32x.75)FEED ROD GD   | 83      |
| 1   | REF | REF | REF | 3-21000-6 | SCR,SHC(10-32x.62)FD ADJ BLK    | 82      |
| 1   | 1   | 1   | -   | 3-21000-4 | SCR,SHC(10-32x.38)SG ADJ BL     | 81      |
| 1   | REF | REF | REF | 3-21000-4 | SCR,SHC(10-32x.38)PIVOT BLK     | 80      |
| -   | REF | -   | -   | 455749-1  | GUARD, WINDOW                   | 79      |
| 1   | REF | -   | -   | 679532-1  | INSERT, GUARD                   | 78      |
| 1   | 1   | 1   | -   | 1-21002-7 | SCR,BHC(6-32x.38)CAM            | 91      |
| 1   | 1   | 1   | -   | 2-22603-0 | SCR,HEX HD(8-32x.31)FEED FINGER | 86      |
| 2   | 2   | 2   | -   | 1-21000-3 | SCR,SHC(4-40x.25)FR ST GUIDE    | 85      |
| 1   | 1   | 1   | -   | 2-21000-7 | SCR,SHC(8-32x.50)STRIPPER       | 84      |
| 1   | REF | REF | REF | 3-21000-7 | SCR,SHC(10-32x.75)FEED ROD GD   | 83      |
| 1   | REF | REF | REF | 3-21000-6 | SCR,SHC(10-32x.62)FD ADJ BLK    | 82      |
| 1   | 1   | 1   | -   | 3-21000-4 | SCR,SHC(10-32x.38)SG ADJ BL     | 81      |
| 1   | REF | REF | REF | 3-21000-4 | SCR,SHC(10-32x.38)PIVOT BLK     | 80      |
| -   | REF | -   | -   | 455749-1  | GUARD, WINDOW                   | 79      |
| 1   | REF | -   | -   | 679532-1  | INSERT, GUARD                   | 78      |
| 1   | 1   | 1   | -   | 1-21002-7 | SCR,BHC(6-32x.38)CAM            | 91      |
| 1   | 1   | 1   | -   | 2-22603-0 | SCR,HEX HD(8-32x.31)FEED FINGER | 86      |
| 2   | 2   | 2   | -   | 1-21000-3 | SCR,SHC(4-40x.25)FR ST GUIDE    | 85      |
| 1   | 1   | 1   | -   | 2-21000-7 | SCR,SHC(8-32x.50)STRIPPER       | 84      |
| 1   | REF | REF | REF | 3-21000-7 | SCR,SHC(10-32x.75)FEED ROD GD   | 83      |
| 1   | REF | REF | REF | 3-21000-6 | SCR,SHC(10-32x.62)FD ADJ BLK    | 82      |
| 1   | 1   | 1   | -   | 3-21000-4 | SCR,SHC(10-32x.38)SG ADJ BL     | 81      |
| 1   | REF | REF | REF | 3-21000-4 | SCR,SHC(10-32x.38)PIVOT BLK     | 80      |
| -   | REF | -   | -   | 455749-1  | GUARD, WINDOW                   | 79      |
| 1   | REF | -   | -   | 679532-1  | INSERT, GUARD                   | 78      |
| 1   | 1   | 1   | -   | 1-21002-7 | SCR,BHC(6-32x.38)CAM            | 91      |
| 1   | 1   | 1   | -   | 2-22603-0 | SCR,HEX HD(8-32x.31)FEED FINGER | 86      |
| 2   | 2   | 2   | -   | 1-21000-3 | SCR,SHC(4-40x.25)FR ST GUIDE    | 85      |
| 1   | 1   | 1   | -   | 2-21000-7 | SCR,SHC(8-32x.50)STRIPPER       | 84      |
| 1   | REF | REF | REF | 3-21000-7 | SCR,SHC(10-32x.75)FEED ROD GD   | 83      |
| 1   | REF | REF | REF | 3-21000-6 | SCR,SHC(10-32x.62)FD ADJ BLK    | 82      |
| 1   | 1   | 1   | -   | 3-21000-4 | SCR,SHC(10-32x.38)SG ADJ BL     | 81      |
| 1   | REF | REF | REF | 3-21000-4 | SCR,SHC(10-32x.38)PIVOT BLK     | 80      |
| -   | REF | -   | -   | 455749-1  | GUARD, WINDOW                   | 79      |
| 1   | REF | -   | -   | 679532-1  | INSERT, GUARD                   | 78      |
| 1   | 1   | 1   | -   | 1-21002-7 | SCR,BHC(6-32x.38)CAM            | 91      |
| 1   | 1   | 1   | -   | 2-22603-0 | SCR,HEX HD(8-32x.31)FEED FINGER | 86      |
| 2   | 2   | 2   | -   | 1-21000-3 | SCR,SHC(4-40x.25)FR ST GUIDE    | 85      |
| 1   | 1   | 1   | -   | 2-21000-7 | SCR,SHC(8-32x.50)STRIPPER       | 84      |
| 1   | REF | REF | REF | 3-21000-7 | SCR,SHC(10-32x.75)FEED ROD GD   | 83      |
| 1   | REF | REF | REF | 3-21000-6 | SCR,SHC(10-32x.62)FD ADJ BLK    | 82      |
| 1   | 1   | 1   | -   | 3-21000-4 | SCR,SHC(10-32x.38)SG ADJ BL     | 81      |
| 1   | REF | REF | REF | 3-21000-4 | SCR,SHC(10-32x.38)PIVOT BLK     | 80      |
| -   | REF | -   | -   | 455749-1  | GUARD, WINDOW                   | 79      |
| 1   | REF | -   | -   | 679532-1  | INSERT, GUARD                   | 78      |
| 1   | 1   | 1   | -   | 1-21002-7 | SCR,BHC(6-32x.38)CAM            | 91      |
| 1   | 1   | 1   | -   | 2-22603-0 | SCR,HEX HD(8-32x.31)FEED FINGER | 86      |
| 2   | 2   | 2   | -   | 1-21000-3 | SCR,SHC(4-40x.25)FR ST GUIDE    | 85      |
| 1   | 1   | 1   | -   | 2-21000-7 | SCR,SHC(8-32x.50)STRIPPER       | 84      |
| 1   | REF | REF | REF | 3-21000-7 | SCR,SHC(10-32x.75)FEED ROD GD   | 83      |
| 1   | REF | REF | REF | 3-21000-6 | SCR,SHC(10-32x.62)FD ADJ BLK    | 82      |
| 1   | 1   | 1   | -   | 3-21000-4 | SCR,SHC(10-32x.38)SG ADJ BL     | 81      |
| 1   | REF | REF | REF | 3-21000-4 | SCR,SHC(10-32x.38)PIVOT BLK     | 80      |
| -   | REF | -   | -   | 455749-1  | GUARD, WINDOW                   | 79      |
| 1   | REF | -   | -   | 679532-1  | INSERT, GUARD                   | 78      |
| 1   | 1   | 1   | -   | 1-21002-7 | SCR,BHC(6-32x.38)CAM            | 91      |
| 1   | 1   | 1   | -   | 2-22603-0 | SCR,HEX HD(8-32x.31)FEED FINGER | 86      |
| 2   | 2   | 2   | -   | 1-21000-3 | SCR,SHC(4-40x.25)FR ST GUIDE    | 85      |
| 1   | 1   | 1   | -   | 2-21000-7 | SCR,SHC(8-32x.50)STRIPPER       | 84      |
| 1   | REF | REF | REF | 3-21000-7 | SCR,SHC(10-32x.75)FEED ROD GD   | 83      |
| 1   | REF | REF | REF | 3-21000-6 | SCR,SHC(10-32x.62)FD ADJ BLK    | 82      |
| 1   | 1   | 1   | -   | 3-21000-4 | SCR,SHC(10-32x.38)SG ADJ BL     | 81      |
| 1   | REF | REF | REF | 3-21000-4 | SCR,SHC(10-32x.38)PIVOT BLK     | 80      |
| -   | REF | -   | -   | 455749-1  | GUARD, WINDOW                   | 79      |
| 1   | REF | -   | -   | 679532-1  | INSERT, GUARD                   | 78      |
| 1   | 1   | 1   | -   | 1-21002-7 | SCR,BHC(6-32x.38)CAM            | 91      |
| 1   | 1   | 1   | -   | 2-22603-0 | SCR,HEX HD(8-32x.31)FEED FINGER | 86      |
| 2   | 2   | 2   | -   | 1-21000-3 | SCR,SHC(4-40x.25)FR ST GUIDE    | 85      |
| 1   | 1   | 1   | -   | 2-21000-7 | SCR,SHC(8-32x.50)STRIPPER       | 84      |
| 1   | REF | REF | REF | 3-21000-7 | SCR,SHC(10-32x.75)FEED ROD GD   | 83      |
| 1   | REF | REF | REF | 3-21000-6 | SCR,SHC(10-32x.62)FD ADJ BLK    | 82      |
| 1   | 1   | 1   | -   | 3-21000-4 | SCR,SHC(10-32x.38)SG ADJ BL     | 81      |
| 1   | REF | REF | REF | 3-21000-4 | SCR,SHC(10-32x.38)PIVOT BLK     | 80      |
| -   | REF | -   | -   | 455749-1  | GUARD, WINDOW                   | 79      |
| 1   | REF | -   | -   | 679532-1  | INSERT, GUARD                   | 78      |
| 1   | 1   | 1   | -   | 1-21002-7 | SCR,BHC(6-32x.38)CAM            | 91      |
| 1   | 1   | 1   | -   | 2-22603-0 | SCR,HEX HD(8-32x.31)FEED FINGER | 86      |
| 2   | 2   | 2   | -   | 1-21000-3 | SCR,SHC(4-40x.25)FR ST GUIDE    | 85      |
| 1   | 1   | 1   | -   | 2-21000-7 | SCR,SHC(8-32x.50)STRIPPER       | 84      |
| 1   | REF | REF | REF | 3-21000-7 | SCR,SHC(10-32x.75)FEED ROD GD   | 83      |
| 1   | REF | REF | REF | 3-21000-6 | SCR,SHC(10-32x.62)FD ADJ BLK    | 82      |
| 1   | 1   | 1   | -   | 3-21000-4 | SCR,SHC(10-32x.38)SG ADJ BL     | 81      |
| 1   | REF | REF | REF | 3-21000-4 | SCR,SHC(10-32x.38)PIVOT BLK     | 80      |
| -   | REF | -   | -   | 455749-1  | GUARD, WINDOW                   | 79      |
| 1   | REF | -   | -   | 679532-1  | INSERT, GUARD                   | 78      |
| 1   | 1   | 1   | -   | 1-21002-7 | SCR,BHC(6-32x.38)CAM            | 91      |
| 1   | 1   | 1   | -   | 2-22603-0 | SCR,HEX HD(8-32x.31)FEED FINGER | 86      |
| 2   | 2   | 2   | -   | 1-21000-3 | SCR,SHC(4-40x.25)FR ST GUIDE    | 85      |
| 1   | 1   | 1   | -   | 2-21000-7 | SCR,SHC(8-32x.50)STRIPPER       | 84      |
| 1   | REF | REF | REF | 3-21000-7 | SCR,SHC(10-32x.75)FEED ROD GD   | 83      |
| 1   | REF | REF | REF | 3-21000-6 | SCR,SHC(10-32x.62)FD ADJ BLK    | 82      |
| 1   | 1   | 1   | -   | 3-21000-4 | SCR,SHC(10-32x.38)SG ADJ BL     | 81      |
| 1   | REF | REF | REF | 3-21000-4 | SCR,SHC(10-32x.38)PIVOT BLK     | 80      |
| -   | REF | -   | -   | 455749-1  | GUARD, WINDOW                   | 79      |
| 1   | REF | -   | -   | 679532-1  | INSERT, GUARD                   | 78      |
| 1   | 1   | 1   | -   | 1-21002-7 | SCR,BHC(6-32x.38)CAM            | 91      |
| 1   | 1   | 1   | -   | 2-22603-0 | SCR,HEX HD(8-32x.31)FEED FINGER | 86      |
| 2   | 2   | 2   | -   | 1-21000-3 | SCR,SHC(4-40x.25)FR ST GUIDE    | 85      |
| 1   | 1   | 1   | -   | 2-21000-7 | SCR,SHC(8-32x.50)STRIPPER       | 84      |
| 1   | REF | REF | REF | 3-21000-7 | SCR,SHC(10-32x.75)FEED ROD GD   | 83      |
| 1   | REF | REF | REF | 3-21000-6 | SCR,SHC(10-32x.62)FD ADJ BLK    | 82      |
| 1   | 1   | 1   | -   | 3-21000-4 | SCR,SHC(10-32x.38)SG ADJ BL     | 81      |
| 1   | REF | REF | REF | 3-21000-4 | SCR,SHC(10-32x.38)PIVOT BLK     | 80      |
| -   | REF | -   | -   | 455749-1  | GUARD, WINDOW                   | 79      |
| 1   | REF | -   | -   | 679532-1  | INSERT, GUARD                   | 78      |
| 1   | 1   | 1   | -   | 1-21002-7 | SCR,BHC(6-32x.38)CAM            | 91      |
| 1   | 1   | 1   | -   | 2-22603-0 | SCR,HEX HD(8-32x.31)FEED FINGER | 86      |
| 2   | 2   | 2   | -   | 1-21000-3 | SCR,SHC(4-40x.25)FR ST GUIDE    | 85      |
| 1   | 1   | 1   | -   | 2-21000-7 | SCR,SHC(8-32x.50)STRIPPER       | 84      |
| 1   | REF | REF | REF | 3-21000-7 | SCR,SHC(10-32x.75)FEED ROD GD   | 83      |
| 1   | REF | REF | REF | 3-21000-6 | SCR,SHC(10-32x.62)FD ADJ BLK    | 82      |
| 1   | 1   | 1   | -   | 3-21000   |                                 |         |