

Electrical diagram, DIN CONNECTOR with circuit C4 (VDR)

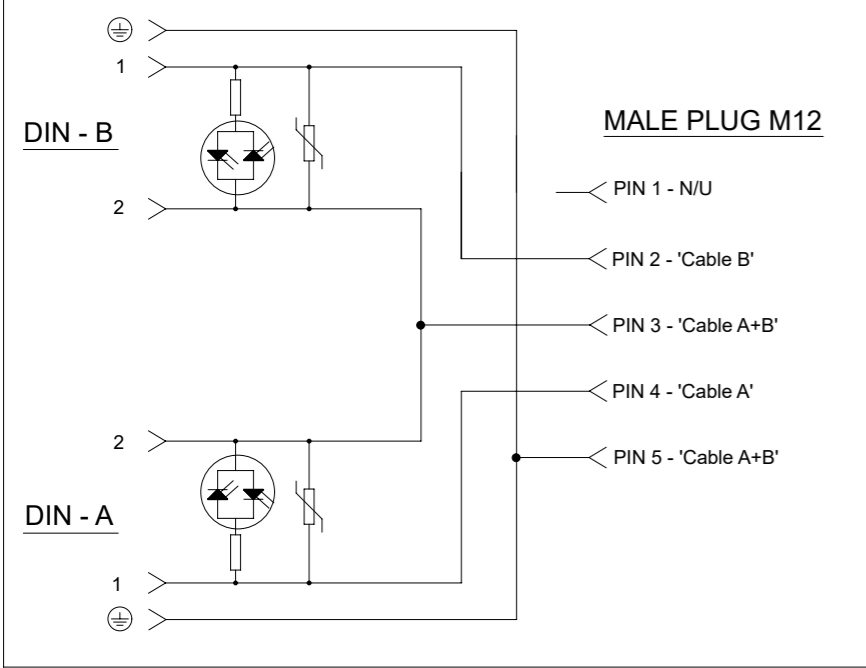
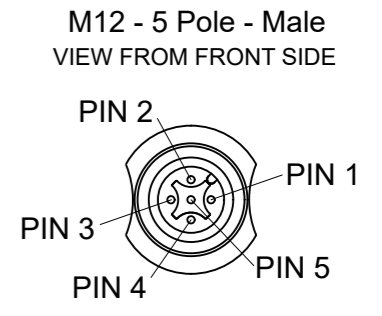
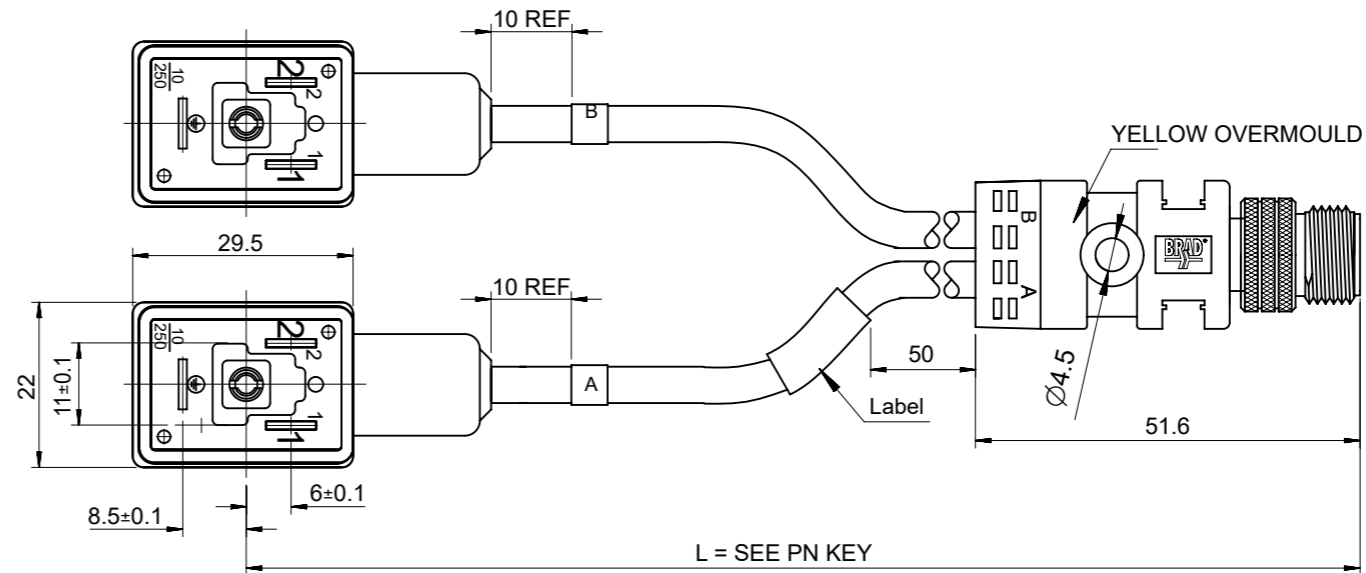
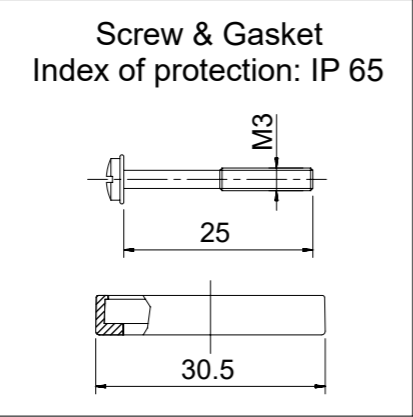
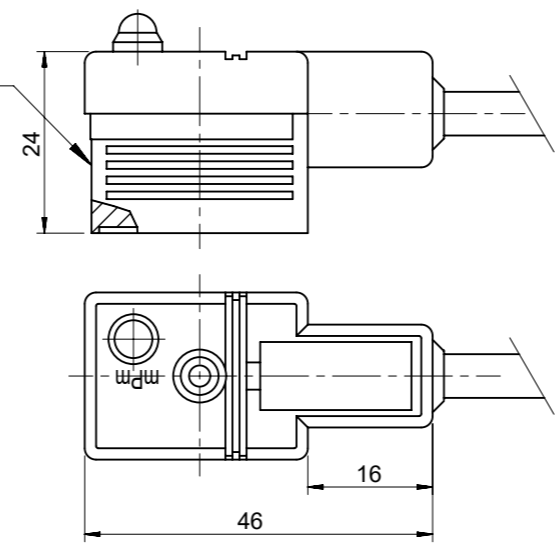


Table of length tolerances

Over	Up to and including	Tolerance (+)
0	305	+19
305	915	+45
915	1830	+56
1830	3660	+89
3660	7320	+165
7320	14640	+317
14640	30500	+610
30500	>	+2% of length



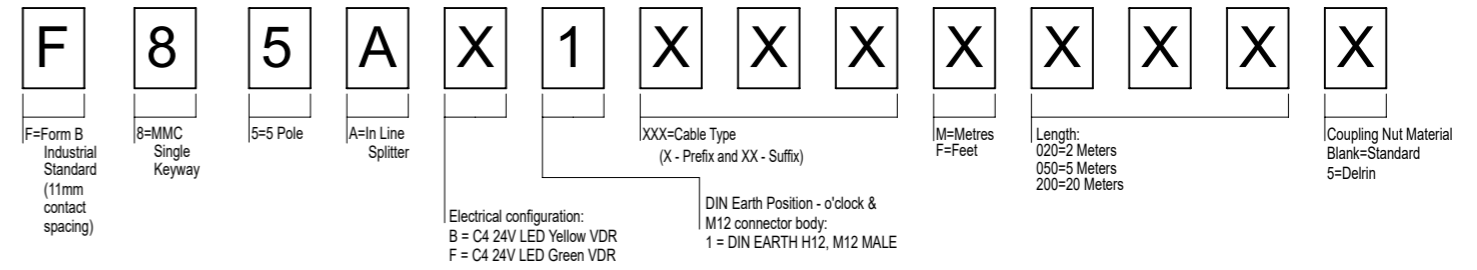
Electrical diagram printed in white



PN's List

Engineering number	Molex PN	Cable Length [mm]	Cable type
F85AB1I12M040	1210360486	4000	CEI PVC Grey 0.5mm ²
F85AB1E12M0155	1210360535	1500	PVC Black 0.5mm ²
F85AB1P12M010	1210360549	1000	PUR Black 0.5mm ²
F85AB1E12M006	1210360619	600	PVC Black 0.5mm ²
F85AB1P12M006	1210360664	600	PUR Black 0.5mm ²

PART No MATRIX - PN KEY



Notes:

1. Dimensions without tolerance are referential.

THIS DRAWING CONTAINS INFORMATION THAT IS PROPRIETARY TO MOLEX ELECTRONIC TECHNOLOGIES, LLC AND SHOULD NOT BE USED WITHOUT WRITTEN PERMISSION

DIMENSION UNITS mm	SCALE NTS	CURRENT REV DESC: OBSOLETE PART NUMBER AS PER PCN 508518	molex		
GENERAL TOLERANCES (UNLESS SPECIFIED)		EC NO: 671087			
4 PLACES ±	MM INCH	DRWN: RPRABHUM 2021/06/03	PRODUCT CUSTOMER DRAWING		
3 PLACES ±		CHK'D: GGA 2021/08/06	DOCUMENT NUMBER		
2 PLACES ±		APPR: GGA 2021/08/06	SD-121036-010		
1 PLACE ±		INITIAL REVISION:	DOC TYPE DOC PART REVISION		
0 PLACES ±		DRWN: JMARSZALEK 2013/07/12	PSD 001 A2		
ANGULAR TOL ± °		APPR: MIWASIECZKO 2014/01/30	SHEET NUMBER		
DRAFT WHERE APPLICABLE MUST REMAIN WITHIN DIMENSIONS	THIRD ANGLE PROJECTION	DRAWING	SERIES	MATERIAL NUMBER	CUSTOMER
		A3-SIZE	121036	SEE PN KEY	GENERAL MARKET