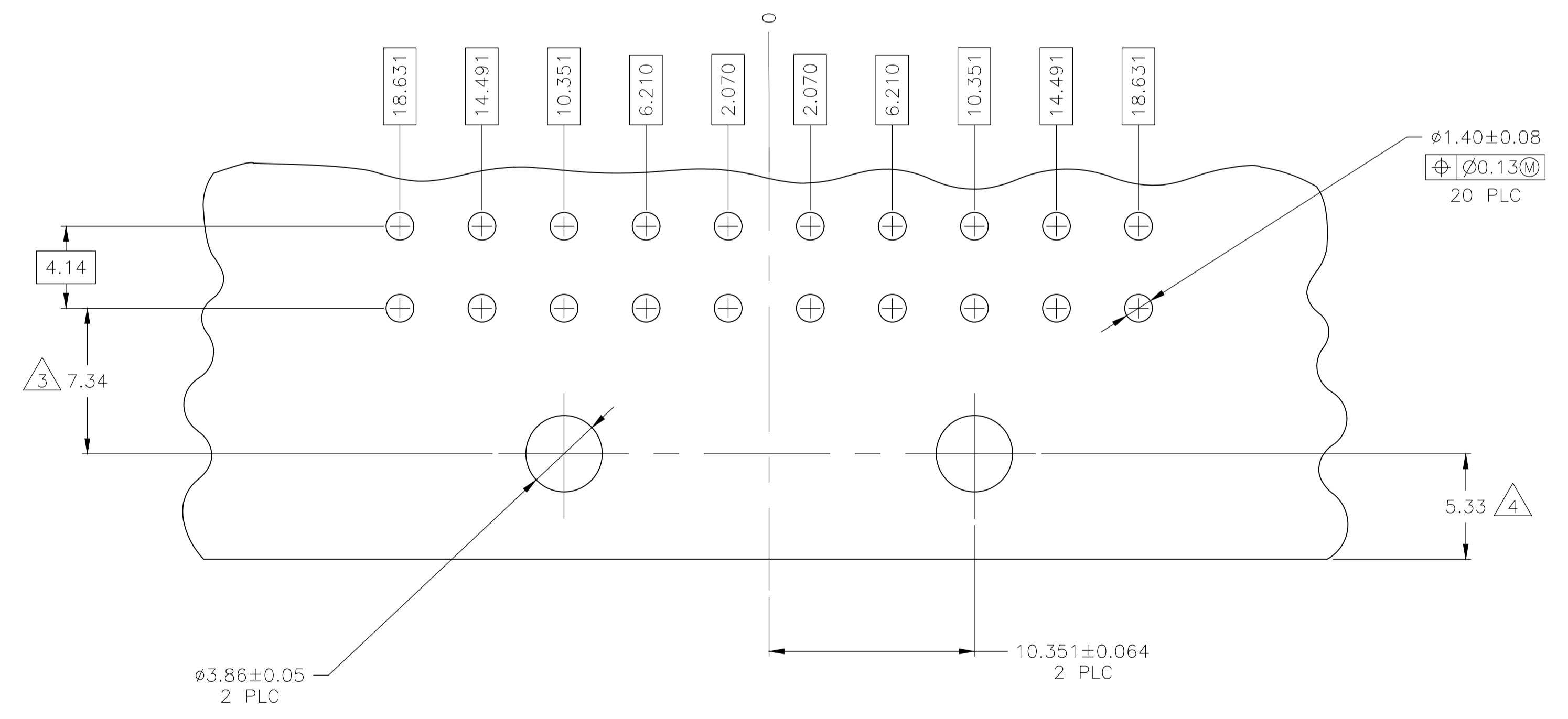
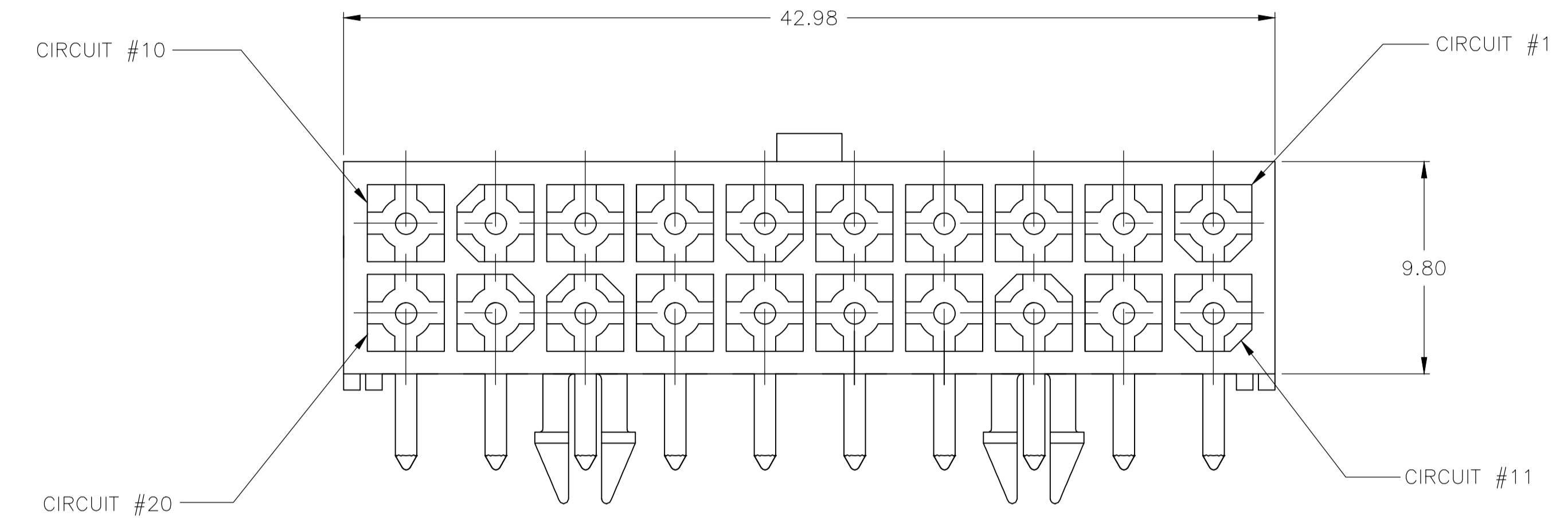
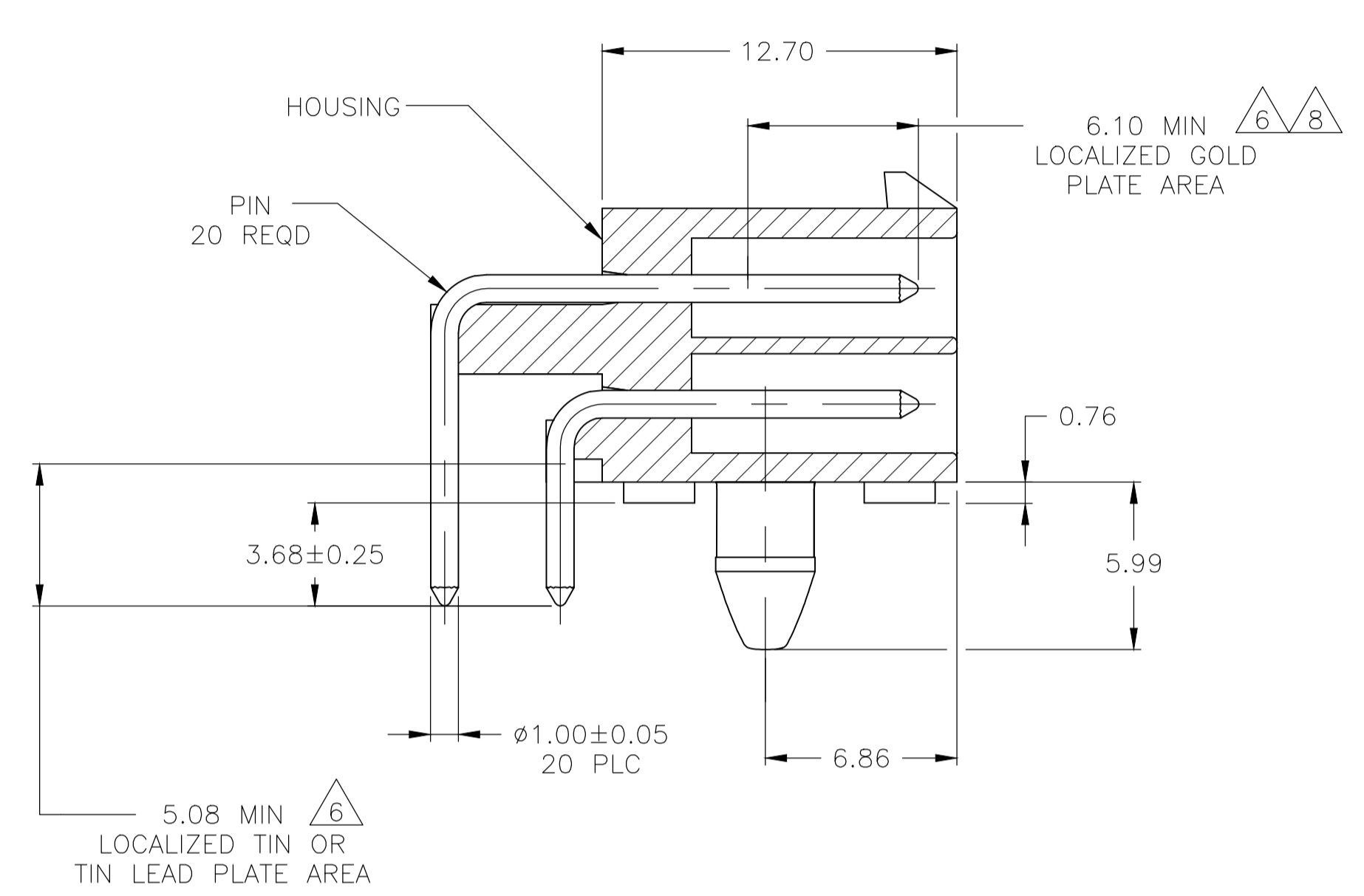


REVISIONS					
P	LTR	DESCRIPTION	DATE	DMN	APVD
C3		REVISED PER ECR-20-004142	29JUN2020	BDA	SW

1. PINS TO COMPLY WITH AMP SOLDERABILITY SPEC 109-11-3.
2. MATES WITH PLUG P/N 770585-1.
3. COORDINATE DIMENSION APPLIES FROM CENTER OF ACTUAL FEATURE.
4. RECOMMENDED FOR EDGE MOUNTING.
5. 0.00381 MIN MATTE TIN LEAD PLATE OVER 0.00127 MIN NICKEL.
6. 0.00076 MIN GOLD PLATE IN THE LOCALIZED GOLD PLATE AREA, 0.00381 MIN MATTE TIN LEAD IN THE LOCALIZED PLATE AREA, BOTH OVER 0.00127 MIN NICKEL.
7. 0.00381 MIN MATTE TIN PLATE OVER 0.00127 MIN NICKEL.
8. 0.00076 MIN GOLD PLATE IN THE LOCALIZED GOLD PLATE AREA, 0.00381 MIN MATTE TIN IN THE LOCALIZED TIN PLATE AREA, BOTH OVER 0.00127 MIN NICKEL.
9. SUPERSEDED BY 1-794106-1



RECOMMENDED MOUNTING HOLE PATTERN FOR 1.57 THICK P.C. BOARD

MM	IN	MM	IN	MM	IN
1.00	.039	6.10	.240	-	-
0.76	.030	5.99	.236	42.98	1.692
0.25	.010	5.33	.210	18.631	.7335
0.13	.005	5.08	.200	14.491	.5705
0.08	.003	4.14	.163	12.70	.500
0.064	.0025	3.86	.152	10.351	.4075
0.05	.002	3.68	.145	9.80	.386
0.00381	.000150	2.070	.0815	7.34	.289
0.00127	.000050	1.57	.062	6.86	.270
0.00076	.000030	1.40	.055	6.210	.2445

CONVERSION TABLE

MATERIAL	FINISH	MATERIAL	COLOR	PART NO
BRASS	GOLD 8	NYLON, UL94V-0	WHITE	1-794106-1
BRASS	TIN 7	NYLON, UL94V-0	WHITE	1-794106-0
BRASS	GOLD 6	NYLON, UL94V-0	WHITE	794106-2
OBSOLETE	TIN LEAD 5	NYLON, UL94V-0	WHITE	794106-1

PIN		HOUSING	
THIS DRAWING IS A CONTROLLED DOCUMENT.	DIN K WHITAKER 02APR96	TE Connectivity	
DIMENSIONS: mm	TOLERANCES UNLESS OTHERWISE SPECIFIED:	APVD R ORSTAD 02APR96	NAME
0 PLC ± -	1 PLC ± -	PRODUCT SPEC	HDR ASSY,RIGHT ANGLE
2 PLC ± 0.13	3 PLC ± -	APPLICATION SPEC	W/SHORT PEG,20 CIRCUIT
4 PLC ± -	ANGLES ± -	WEIGHT	MINI UNIVERSAL MATE-N-LOK(TM)
SEE TABLE	SEE TABLE	SIZE	CAGE CODE
		A1	00779
		DRAWING NO	794106
		RESTRICTED TO	
		CUSTOMER DRAWING	SCALE 5:1 SHEET 1 OF 1 REV C3