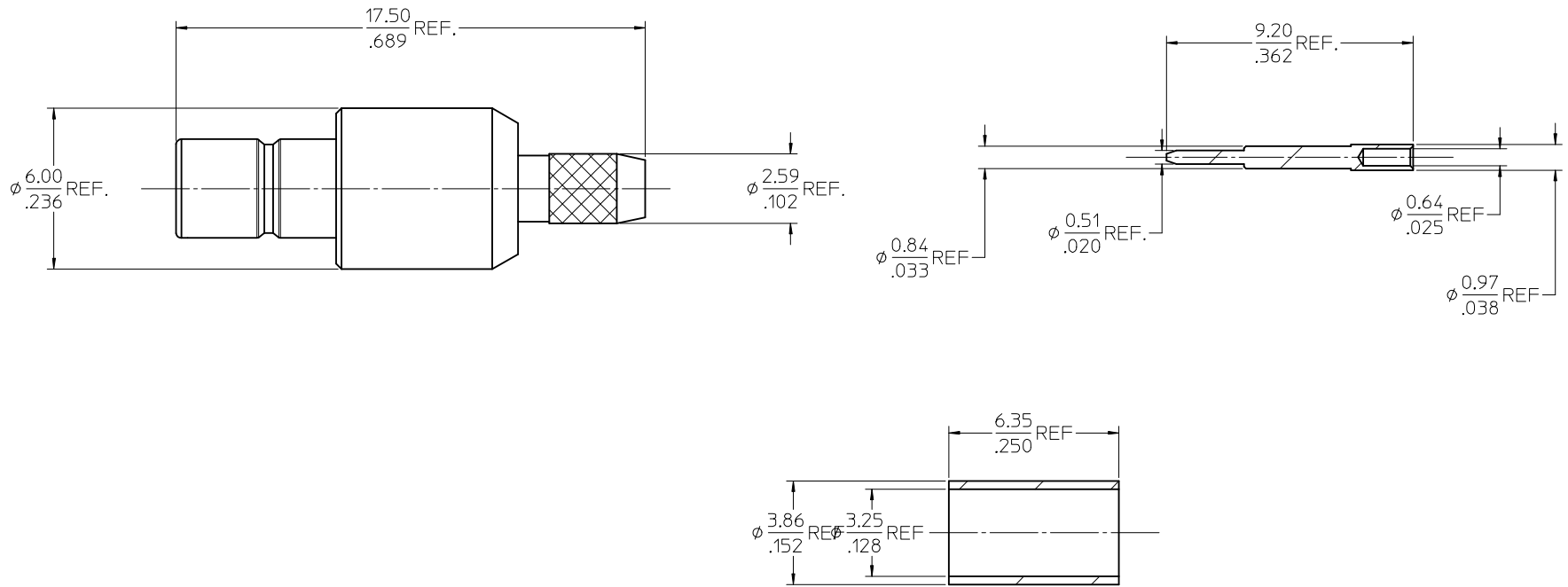
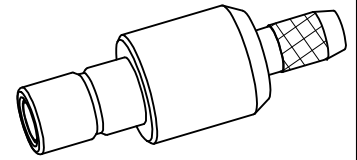


NATERIALS AND FINISHES

BODY,REAR BODY,TUBE BRASS
PLATED NICKEL

CENTER CONTACT BRASS
PLATED GOLD

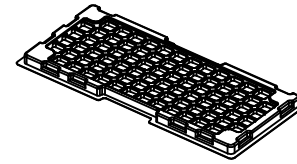
INSULATOR TEFLON



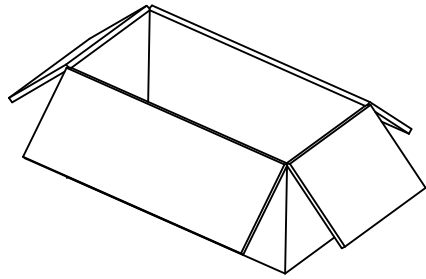
ADDED PACKAGE PER RF15-E140 EC NO: URF2015-0474 DRW:LIN 2015/03/04 CHKD: APPR:YCHENG 2015/03/20 REV: A1	QUALITY SYMBOLS ▽=0 ▽=0 ▽=0	GENERAL TOLERANCES (UNLESS SPECIFIED) mm INCH 4 PLACES ± --- ± --- 3 PLACES ± --- ± --- 2 PLACES ± 0.15 ± --- 1 PLACE ± 0.25 ± --- 0 PLACE ± ±	DIMENSION STYLE MM/IN DRAWN BY DATE EVITA 2005/10/03 CHECKED BY DATE KEN 2005/10/03 APPROVED BY DATE MISEM 2005/10/03	SCALE 5:1 DESIGN UNITS METRIC THIRD ANGLE PROJECTION	TITLE SMB JACK STR FOR RG316 50 OHMS SMB-JP molex	MATERIAL NO. 733960430 DOCUMENT NO. SD-73396-043	SHEET NO. 1 OF 2	
	ANGULAR ± 2 °		DRAFT WHERE APPLICABLE MUST REMAIN WITHIN DIMENSIONS		THIS DRAWING CONTAINS INFORMATION THAT IS PROPRIETARY TO MOLEX INCORPORATED AND SHOULD NOT BE USED WITHOUT WRITTEN PERMISSION			



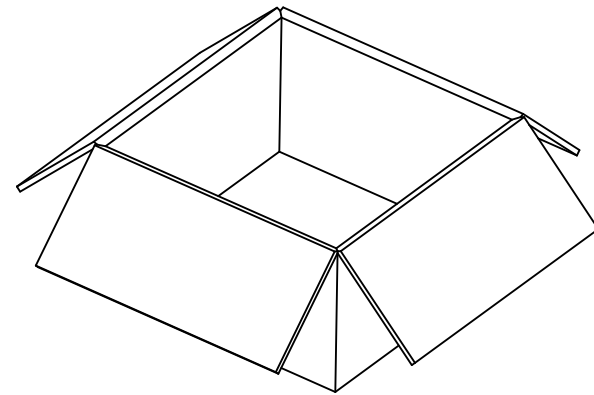
P/N: 73396-0430



80 SET PER TRAY
P/N: 89707-0190



1600 SET PER INNER CARTON BOX
P/N: 96707-0001



3200 SET PER OUTER CARTON BOX
P/N: 96708-0005

SEE SHEET 1 EC NO: URF2015-0474 DRAWN BY: DRWNLIN 2015/03/04 CHKD: APPR: YCHENG 2015/03/20	QUALITY SYMBOLS	GENERAL TOLERANCES (UNLESS SPECIFIED)		DIMENSION STYLE	SCALE	DESIGN UNITS	THIRD ANGLE PROJECTION
	▽=0	mm	INCH	MM/IN	1:5	METRIC	
	▽=0	4 PLACES ± ---	± ---	DRAWN BY	DATE	TITLE	
	▽=0	3 PLACES ± ---	± ---	EVITA	2005/10/03	SMB JACK STR FOR RG316	
	2 PLACES ± 0.15	± ---	CHECKED BY	DATE	50 OHMS		
	1 PLACE ± 0.25	± ---	KEN	2005/10/03	SMB-JP		
	0 PLACE ±	±	APPROVED BY	DATE	molex		
			MISEM	2005/10/03	DOCUMENT NO.		SHEET NO.
			ANGULAR ± 2 °		SD-73396-043		2 OF 2
			DRAFT WHERE APPLICABLE MUST REMAIN WITHIN DIMENSIONS		SEE SHEET 1		
A1			SIZE C		THIS DRAWING CONTAINS INFORMATION THAT IS PROPRIETARY TO MOLEX INCORPORATED AND SHOULD NOT BE USED WITHOUT WRITTEN PERMISSION		