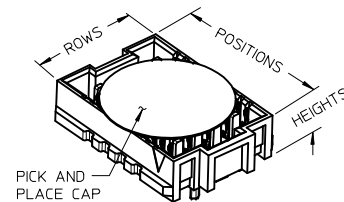
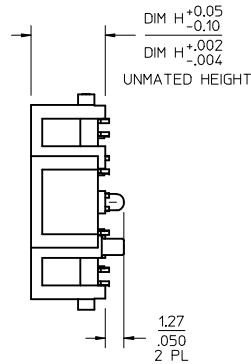
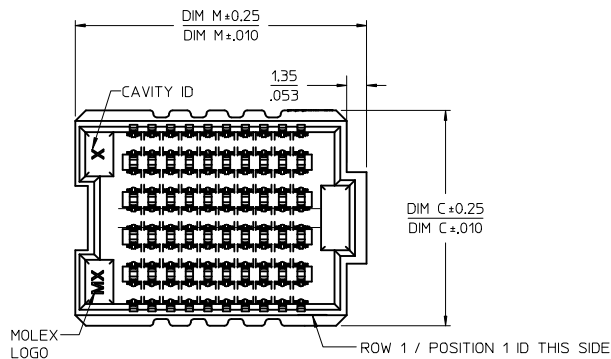


10 ROW  
10 POSITION  
SHOWN



| POSITION | HEIGHT    |
|----------|-----------|
| 10       | 0.15/.006 |
| 20       | 0.15/.006 |
| 30       | 0.15/.006 |
| 40       | 0.15/.006 |
| 50       | 0.15/.006 |
| 15       | 0.15/.006 |
| 25       | 0.15/.006 |
| 35       | 0.23/.009 |
| 45       | 0.23/.009 |

| ROWS: 10     |             |             |             |             |
|--------------|-------------|-------------|-------------|-------------|
| DIM R: (REF) | 5.0 MM      | 6.5 MM      | 7.5 MM      |             |
| DIM H:       | 5.04/.199   | 6.55/.258   | 7.54/.297   |             |
| POSITION     | DIM M       | MATERIAL NO | MATERIAL NO | MATERIAL NO |
| 20           | 32.52/1.282 |             | 45971-2311  |             |
| 30           | 45.26/1.782 | 45971-3111  |             |             |
| 40           | 57.96/2.282 |             |             | 45971-4411  |

MATED STACK HEIGHTS  
(GIVEN IN MILLIMETERS FOR REFERENCE ONLY)

| <b>INITIAL RELEASE</b><br>EC NO: UCP2015-1206<br>DRAWN: RWHIPPLE 2014/10/24<br>CHKD: DMORGAN 2014/10/24<br>APPR: SMILLER 2015/01/05 | QUALITY SYMBOLS<br>$\nabla=0$<br>$\nabla=0$<br>$\nabla=0$ | GENERAL TOLERANCES (UNLESS SPECIFIED)<br><table border="1"> <tr> <th></th> <th>mm</th> <th>INCH</th> </tr> <tr> <td>4 PLACES</td> <td>± ---</td> <td>± ---</td> </tr> <tr> <td>3 PLACES</td> <td>± ---</td> <td>± .010</td> </tr> <tr> <td>2 PLACES</td> <td>± 0.25</td> <td>± .015</td> </tr> <tr> <td>1 PLACE</td> <td>± 0.38</td> <td>± ---</td> </tr> <tr> <td>0 PLACE</td> <td>±</td> <td>±</td> </tr> </table> |  | mm                         | INCH | 4 PLACES | ± --- | ± --- | 3 PLACES | ± --- | ± .010 | 2 PLACES | ± 0.25 | ± .015 | 1 PLACE | ± 0.38 | ± --- | 0 PLACE | ± | ± | DIMENSION STYLE<br><b>MM/IN</b><br>DRAWN BY: RWHIPPLE<br>DATE: 2014/10/24<br>CHECKED BY: DMORGAN<br>DATE: 2014/10/24<br>APPROVED BY: SMILLER<br>DATE: 2015/01/05 | SCALE: 3:1<br>DESIGN UNITS: INCH<br>THIRD ANGLE PROJECTION |
|---|---|--|--|----------------------------|------|----------|-------|-------|----------|-------|--------|----------|--------|--------|---------|--------|-------|---------|---|---|--|--|
|   |   | mm   | INCH   |                            |      |          |       |       |          |       |        |          |        |        |         |        |       |         |   |   |  |  |
|   | 4 PLACES  | ± ---  | ± ---  |                            |      |          |       |       |          |       |        |          |        |        |         |        |       |         |   |   |  |  |
|   | 3 PLACES  | ± ---  | ± .010   |                            |      |          |       |       |          |       |        |          |        |        |         |        |       |         |   |   |  |  |
| 2 PLACES  | ± 0.25  | ± .015   |  |                            |      |          |       |       |          |       |        |          |        |        |         |        |       |         |   |   |  |  |
| 1 PLACE   | ± 0.38  | ± ---  |  |                            |      |          |       |       |          |       |        |          |        |        |         |        |       |         |   |   |  |  |
| 0 PLACE   | ±   | ±  |  |                            |      |          |       |       |          |       |        |          |        |        |         |        |       |         |   |   |  |  |
| DRAFT WHERE APPLICABLE MUST REMAIN WITHIN DIMENSIONS  |   | MATERIAL NO. SEE TABLE   | TITLE: SEARAY RECEPTACLE ASSY<br>1.27/.050 CENTERS<br>TRAY PACKAGING | DOCUMENT NO. RSD-45971-002 |      |          |       |       |          |       |        |          |        |        |         |        |       |         |   |   |  |  |
| SIZE B  |   | THIS DRAWING CONTAINS INFORMATION THAT IS PROPRIETARY TO MOLEX INCORPORATED AND SHOULD NOT BE USED WITHOUT WRITTEN PERMISSION  |  |                            |      |          |       |       |          |       |        |          |        |        |         |        |       |         |   |   |  |  |
| SHEET NO. 1 OF 2  |   | SHEET NO. 1 OF 2   |  |                            |      |          |       |       |          |       |        |          |        |        |         |        |       |         |   |   |  |  |

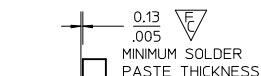
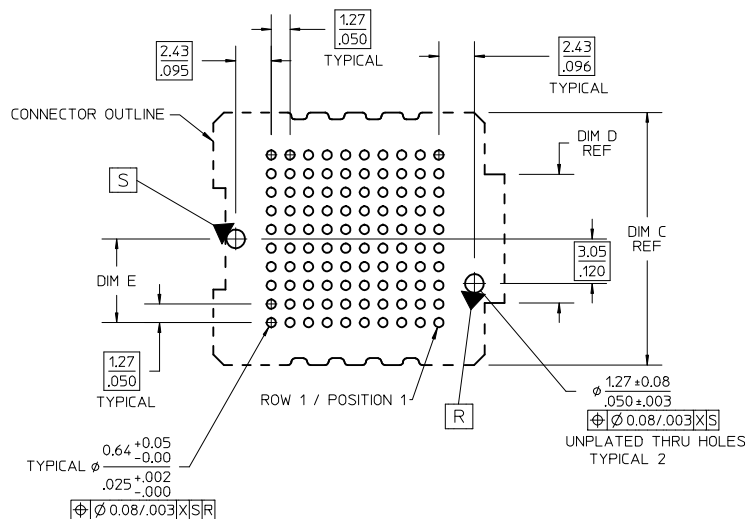
NOTES:

- MATERIALS: HOUSING: LCP, GLASS FILLED, UL94V-0, BLACK  
CONTACTS: COPPER ALLOY  
SOLDER CHARGE: 95.5% TIN, 3.8% SILVER, 0.7% COPPER
- FINISH: SELECT GOLD IN CONTACT AREA: 30 MICROINCH MINIMUM  
SELECT TIN IN TAIL, 50 MICROINCH MINIMUM  
OVERALL - NICKEL UNDERPLATE OVERALL
- PRODUCT SPECIFICATION: PS-45970-001
- PACKAGING SPECIFICATION: TRAY PACK PK-45971-001
- MATES WITH SEARAY PLUG ASSEMBLY 45970
- APPLICATION SPECIFICATION: AS-45970-001
- COSMETIC SPECIFICATION: PS-45499-002 CLASS B
- PART STATUS: CONTACT MOLEX

10 9 8 7 6 5 4 3 2 1

|            |            |           |           |
|------------|------------|-----------|-----------|
| NO OF ROWS | DIM C      | DIM D     | DIM E     |
| 8          | 12.14/.478 | 3.70/.146 | 4.44/.175 |
| 10         | 14.68/.578 | 6.24/.246 | 5.71/.225 |

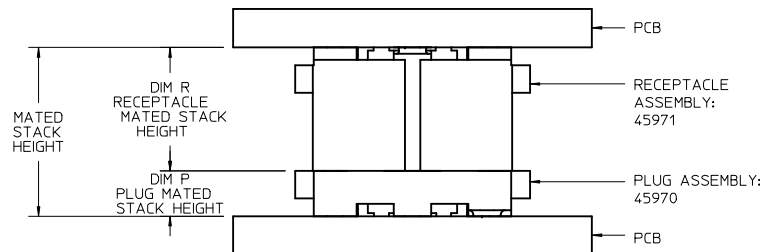
10 ROW  
10 POSITION  
SHOWN



RECOMMENDED PCB LAYOUT: COMPONENT SIDE  
SOLDER SCREEN APERTURE SIZE: .890/.035 DIAMETER  
PCB THICKNESS: NA

|                         |     |                               |      |      |     |
|-------------------------|-----|-------------------------------|------|------|-----|
|                         |     | DIM R RECEPTACLE STACK HEIGHT |      |      |     |
|                         |     | MM                            | 5.0  | 6.5  | 7.5 |
| DIM P PLUG STACK HEIGHT | 2.0 | 7.0                           | 8.5  | 9.5  |     |
|                         | 3.0 | 8.0                           | 9.5  | 10.5 |     |
|                         | 3.5 | 8.5                           | 10.0 | 11.0 |     |
|                         | 2.5 | 7.5                           | 9.0  | 10.0 |     |
|                         | 4.5 | 9.5                           | 11.0 | 12.0 |     |
|                         | 5.0 | 10.0                          | 11.5 | 12.5 |     |
|                         | 7.0 | 12.0                          | 13.5 | 14.5 |     |

MATED STACK HEIGHTS  
GIVEN IN MILLIMETERS (MM) FOR REFERENCE ONLY



MATED STACK HEIGHTS  
(GIVEN IN MILLIMETERS FOR REFERENCE ONLY)

|  |  |                                       |   |   |              |                        |
|--|--|---------------------------------------|---|---|--------------|------------------------|
| SEE SHEET 1<br>EC NO: UCP2015-1206<br>DRWN:RWHIPPLE 2014/10/24<br>CHKD:DMORGAN 2014/10/24<br>APPR:SMILLER 2015/01/05 | QUALITY SYMBOLS                                      | GENERAL TOLERANCES (UNLESS SPECIFIED) | DIMENSION STYLE   | SCALE   | DESIGN UNITS | THIRD ANGLE PROJECTION |
|  | $\nabla=0$   | mm INCH                               | MM/IN   | 3:1   | INCH         |                        |
|  | $\nabla=2$   | 4 PLACES ± --- ± ---                  | DRAWN BY DATE   | TITLE   |              |                        |
|  | $\nabla=0$   | 3 PLACES ± --- ± .010                 | RWHIPPLE 2014/10/24   | SEARAY RECEPTACLE ASSY<br>1.27/.050 CENTERS<br>TRAY PACKAGING |              |                        |
|  | 2 PLACES ± 0.25 ± .015                               | CHECKED BY DATE                       | DOCUMENT NO.  |   |              | SHEET NO.              |
|  | 1 PLACE ± 0.38 ± ---                                 | DMORGAN 2014/10/24                    | RSD-45971-002   |   |              | 2 OF 2                 |
|  | 0 PLACE ± ±  | APPROVED BY DATE                      | MATERIAL NO.  |   |              |                        |
|  | ANGULAR ± --- °                                      | SMILLER 2015/01/05                    | SEE TABLE SHEET 1   |   |              |                        |
|  | DRAFT WHERE APPLICABLE MUST REMAIN WITHIN DIMENSIONS |                                       | SIZE B  |   |              |                        |
|  |  |                                       | THIS DRAWING CONTAINS INFORMATION THAT IS PROPRIETARY TO MOLEX INCORPORATED AND SHOULD NOT BE USED WITHOUT WRITTEN PERMISSION |   |              |                        |

9 8 7 6 5 4 3 2 1