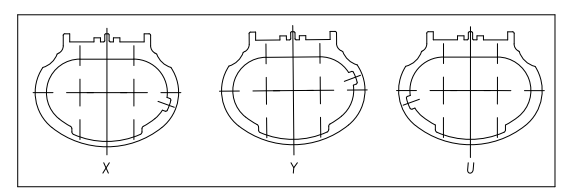
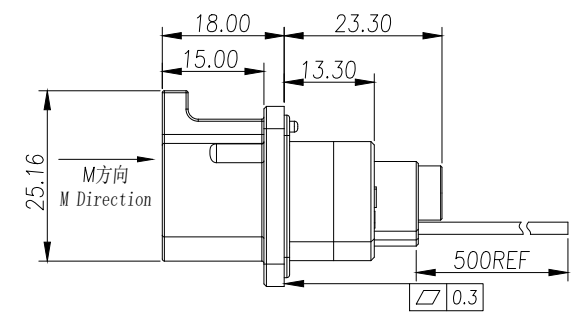
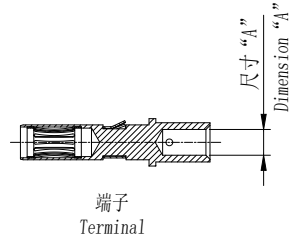
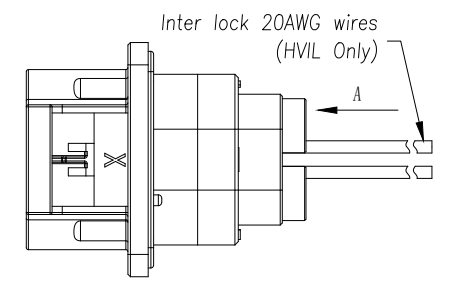
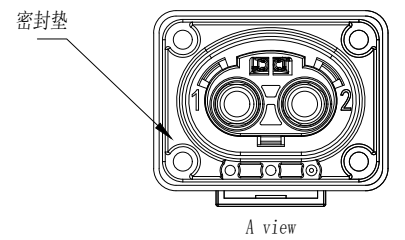
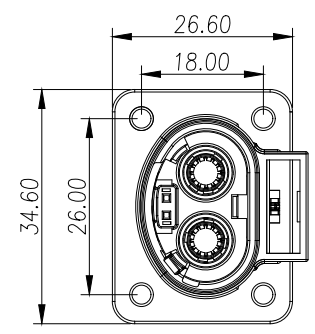


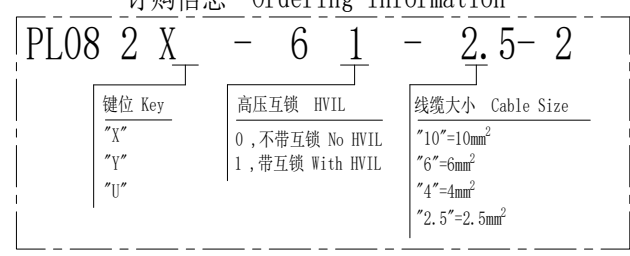
THIS DRAWING IS SUPPLIED FOR INFORMATION ONLY. DESIGN FEATURES, SPECIFICATIONS AND PERFORMANCE DATA SHOWN HEREON ARE THE PROPERTY OF THE AMPHENOL CORPORATION. NO RIGHTS OF REPRODUCTION ARE IMPLIED. ALL DIMENSIONS ARE SUBJECT TO NORMAL MANUFACTURING VARIATIONS.

Customer Drawing



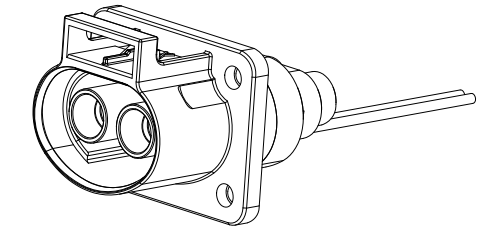
M方向键位示意图
Key Abridged General View of M Direction

订购信息 Ordering Information



- 规格参数 (Spec.):
1. 工作温度 Operating temperature: -40° C~+125° C.
 2. 带高压互锁 Electrical interlock (HVIL).
 3. 额定电流 Current rating:
2.5mm²: 25A, 4mm²: 40A, 6mm²: 45A, 10mm²: 60A; HVIL: 5A.
 4. 额定电压 Operating voltage:
Power: 1000 VDC; Signal: 60 VDC.
 5. 耐电压 Dielectric withstanding voltage:
A. 与插头对插后, Pin与铁壳之间
After matting, between pin and metal shell :5000 VDC.
B. 与插头对插后, Pin与HVIL之间
After matting, between pin and HVIL :5000 VDC.
C. 与插头对插后, HVIL与铁壳之间
After matting, between HVIL and metal shell :500 VDC.
D. 与插头对插前, 两个HVIL端子之间耐压
Before matting, between two HVIL terminals :500 VDC.
 6. 防护等级 Protection class: IP67 & IP2X.
 7. 电磁屏蔽 Shielding.
 8. 机械寿命 Mating cycle: 100 Min.
 9. 带自动二次锁扣 Automatic secondary lock.
 10. 接非屏蔽线 Use Unshielding Wire.
 11. 推荐法兰盘螺丝安装扭矩 Recommended Screw Assembly Torque on Flange : 0.86±20% Nm.
 12. 镀灰锌/锌镍合金, 符合RoHS, 满足96h中性盐雾实验 .
Gray Zinc/Nickel (ZnNi) Plating. RoHS compliant, Rated at 96hours salt spray.

6		7 REVISIONS			8	
REV	ZONE	ECO	DESCRIPTION	DATE	BY	APPR
A	--	--	INITIAL RELEASE	06/25/19	Fred	JL
B	--	--	增加电镀说明	11/06/20	Fred	JL
C	--	--	去除热缩套管	03/05/21	Fred	JL



Standard Part List (With HVIL) 带高压互锁

P/N	P/N	Dimension "A"	Accepted Wire Size	Recommended Wire OD
AC-HA013103	PL082X-61-2.5-2	ø2.50mm	2.5mm ² Unshielding wire	<6.5mm
AC-HA013104	PL082Y-61-2.5-2			
AC-HA013105	PL082U-61-2.5-2			
AC-HA013106	PL082X-61-4-2	ø3.05mm	4mm ² Unshielding wire	<6.5mm
AC-HA013107	PL082Y-61-4-2			
AC-HA013108	PL082U-61-4-2			
AC-HA013109	PL082X-61-6-2	ø3.80mm	6mm ² Unshielding wire	<6.5mm
AC-HA013110	PL082Y-61-6-2			
AC-HA013111	PL082U-61-6-2			
AC-HA013112	PL082X-61-10-2	ø4.50mm	10mm ² Unshielding wire	<6.5mm
AC-HA013113	PL082Y-61-10-2			
AC-HA013114	PL082U-61-10-2			

Standard Part List (Without HVIL) 不带高压互锁

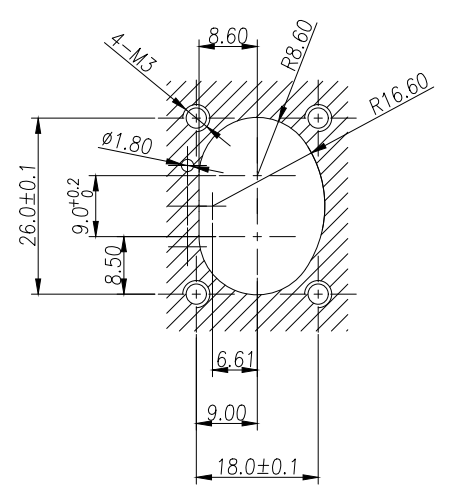
P/N	P/N	Dimension "A"	Accepted Wire Size	Recommended Wire OD
AC-HA013115	PL082X-60-2.5-2	ø2.50mm	2.5mm ² Unshielding wire	<6.5mm
AC-HA013116	PL082Y-60-2.5-2			
AC-HA013117	PL082U-60-2.5-2			
AC-HA013118	PL082X-60-4-2	ø3.05mm	4mm ² Unshielding wire	<6.5mm
AC-HA013119	PL082Y-60-4-2			
AC-HA013120	PL082U-60-4-2			
AC-HA013121	PL082X-60-6-2	ø3.80mm	6mm ² Unshielding wire	<6.5mm
AC-HA013122	PL082Y-60-6-2			
AC-HA013123	PL082U-60-6-2			
AC-HA013124	PL082X-60-10-2	ø4.50mm	10mm ² Unshielding wire	<6.5mm
AC-HA013125	PL082Y-60-10-2			
AC-HA013126	PL082U-60-10-2			

 	Amphenol Technical Products International GZ					PART NAME: PwrLok 4mm 2POS Rept Conn	
	第三角投影 THIRD ANGLE PROJECTION	页面 SHEET	幅面 SIZE	版次 REV.	比例 SCALE	DWG NO: PL082 (X)-6 (-)-2	
签名 SIGNATURE Fred		日期 DATE 03/05/21		UNLESS OTHERWISE SPECIFIED 1) All dimensions are in metric(mm). 2) Tolerances are as follows: 0 PL DEC ±1.00 1 PL DEC ±0.50 2 PL DEC ±0.20		CUST PART #: N/A	
制图 DRAWN		审核 CHECKED				批准 APPROVAL	

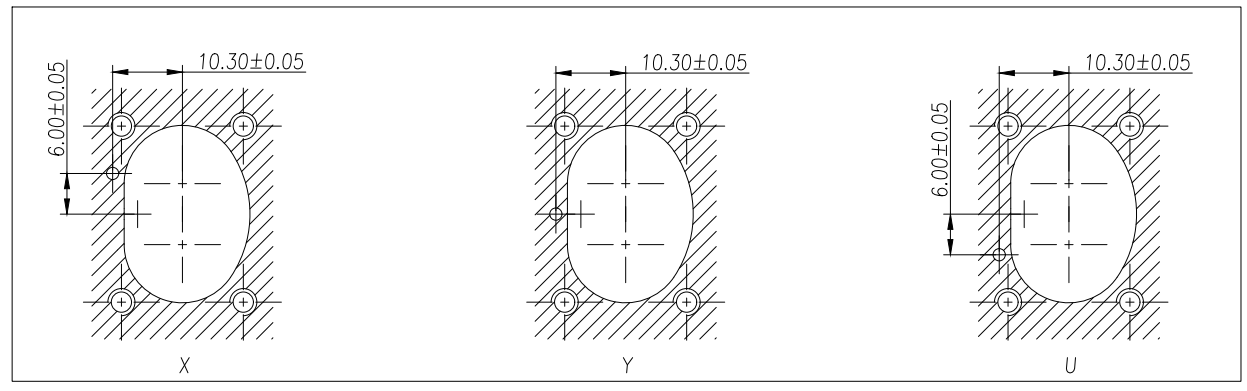
THIS DRAWING IS SUPPLIED FOR INFORMATION ONLY. DESIGN FEATURES, SPECIFICATIONS AND PERFORMANCE DATA SHOWN HEREON ARE THE PROPERTY OF THE AMPHENOL CORPORATION. NO RIGHTS OF REPRODUCTION ARE IMPLIED. ALL DIMENSIONS ARE SUBJECT TO NORMAL MANUFACTURING VARIATIONS.

REV		ZONE	ECO	DESCRIPTION	DATE	BY	APPR
A	--	--	--	INITIAL RELEASE	06/25/19	Fred	JL
B	--	--	--	增加电镀说明	11/06/20	Fred	JL
C	--	--	--	去除热缩套管	03/05/21	Fred	JL

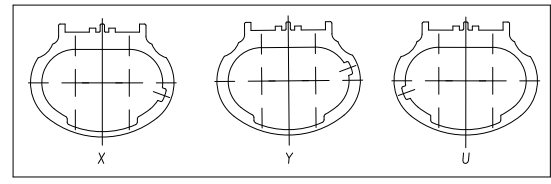
Customer Drawing



面板安装孔尺寸 Panel Size



面板键位孔定位尺寸
Key Abridged General View of Panel



M方向键位示意图
Key Abridged General View of M Direction



Notices:

- 1、Surface Planeness of panel should less than or equal to 0.3mm
- 2、Surface Roughness of panel should be Ra 3.2 or better.
- 3、Thickness of panel should not be Less than 5mm to 8mm.

AMPHENOL 	Amphenol Technical Products International GZ					PART NAME: PwrLok 4mm 2POS Rept Conn				
	第三角投影 THIRD ANGLE PROJECTION	页 面 SHEET	幅 面 SIZE	版 次 REV.	比 例 SCALE	DWG NO: PL082 (X)-6()-()-2				
签名 SIGNATURE 制图 DRAWN Fred		日期 DATE 03/05/21		UNLESS OTHERWISE SPECIFIED 1) All dimensions are in metric(mm). 2) Tolerances are as follows: 0 PL DEC ±1.00 1 PL DEC ±0.50 2 PL DEC ±0.20			CUST PART #: N/A			
审核 CHECKED		批准 APPROVAL					Angles ±1°			CUST REV. -
批 准		日期					比例			审核