

Amphenol Taiwan Corporation
Product Change Notification

Part Numbers Concerned :	GSB141XXP1EU	Originator:	Max Chang
Product Description:	UNIVERSAL SERIES BUS, 2.0, A TYPE , RIGHT ANGLE , SMT, SHEL KINK	Issue Date:	June 18th, 2020
		PCN NO:	202006-M03
Distribution:			

Product Change Notice

This notification is to inform customers regarding **Product line “ GSB141XXP1EU ” to be End of Life.**

Background:

1. Tooling maintenance expense is too high because tooling has been worn out and broken easily.
2. Market demand fall off, there is no market value to tool up new.

Product Part Number Affected:

GSB14111P1EU & GSB14121P1EU.

Implementation date: June,18th, 2020.

Recommended Action:

Sales team informs all customers product end of life for P/N **GSB14111P1EU & GSB14121P1EU.**

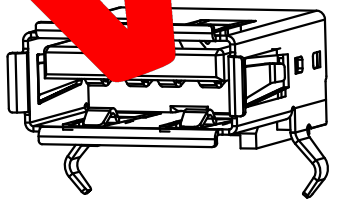
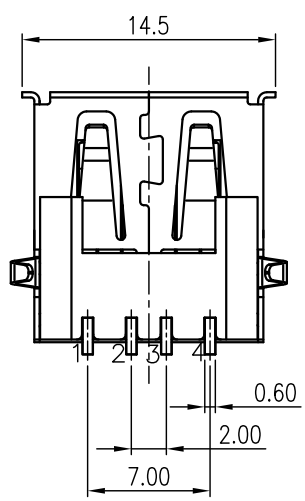
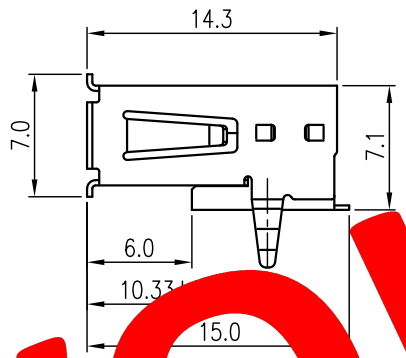
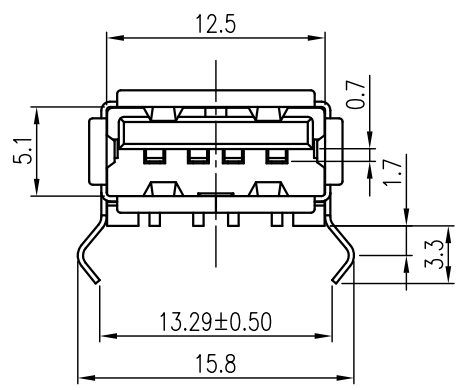
Max Chang, Product Manager,
886-3-2647200 ext 273
Max.chang@amphenol.com.tw



This document is the property of Amphenol Corporation and is delivered on the express condition that it is not to be disclosed, reproduced or used, in whole or in part, for manufacture or sale by anyone other than Amphenol Corporation without its prior consent, and that no right is granted to disclose or to use any information in this document.

The marking on this product doesn't contain environmental hazardous materials per Material Specification 55-00259 for Sony GP compliant or per directive 2002/95/EC for RoHS compliant.

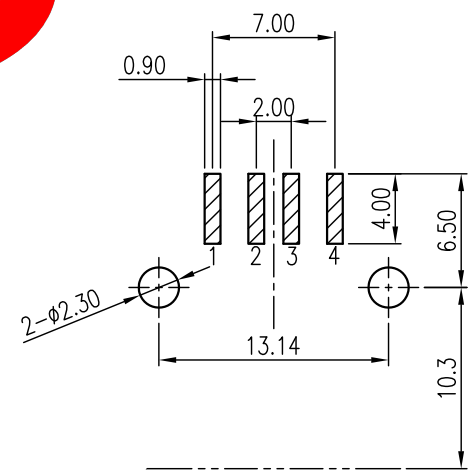
REVISIONS				
SYM	ECN No.	DESCRIPTION	DATE	APPROVED
A	NE-12054	APPROVED REVISION	04/10/2012	Arron Lin



NOTES:

- MATERIAL:**
HOUSING: HIGH TEMPERATURE THERMAL PLASTIC, NYLON, UL94V-0, COLOR: OPTION.
TERMINAL: COPPER ALLOY.
SHELL: COPPER ALLOY.
- FINISH:**
TERMINAL:
CONTACT AREA: SELECTED GOLD PLATING THICKNESS MIN.;
SOLDERING AREA: MATTE TIN PLATING 100 μ" THICKNESS MIN.;
UNDER PLATING: NICKEL PLATING 50 μ" THICKNESS MIN. OVERALL.
SHELL:
NICKEL PLATING 50 μ" THICKNESS MIN. OVERALL.
PACKING IS PER AMTA PACKING SPECIFICATION PKS-0001.
PRODUCT DOESN'T CONTAIN ENVIRONMENTAL HAZARDOUS MATERIALS PER DIRECTIVE 2002/95/EC FOR RoHS COMPLIANT.

VOID



PART NO. GSB141 X X P1EU

CONTACT FINISH COLOR
 1: GOLD FLASH 0: IVORY
 2: 30 μ" GOLD 1: BLACK

PCB EDGE

RECOMMENDED PCB LAYOUT
 ALL TOLERANCE ±0.05
 PCB THICKNESS: 1.20±0.05mm

TOLERANCE	APPROVALS	DATE	TITLE		Amphenol®	
X. ±0.30	DRAWN Debby Hung	04/10/2012	GSB SERIES, A TYPE RECEPTACLE, SINGLE PORT R/A SMT TYPE		Amphenol Corporation Amphenol Taiwan Corporation	
X.X ±0.20	CHECKED Roger Tsai	04/10/2012				
X.XX ±0.10	APPROVED Arron Lin	04/10/2012				
ANGULAR ±1°	DWG TYPE CUST DWG	PROJECT CODE OTHER	UNIT mm	SIZE A3	PART No. GSB141XXP1EU	
UNLESS OTHERWISE SPECIFIED			SCALE NA	SHEET 1 OF 2	DWG No. GSB141XXP1EU REV. A	

This document is the property of Amphenol Corporation and is delivered on the express condition that is not to be disclosed, reproduced or used, in whole or in part, for manufacture or sale by anyone other than Amphenol Corporation without its prior consent, and that no right is granted to disclose or to use any information in this document.

The marking on this product doesn't contain environmental hazardous materials per Material Specification 55-00259 for Sony GP compliant or per directive 2002/95/EC for RoHS compliant.

REVISIONS				
SYM	ECN No.	DESCRIPTION	DATE	APPROVED
A	NE-12054	APPROVED REVISION	04/10/2012	Arron Lin

20 PCS TRAY/CARTON

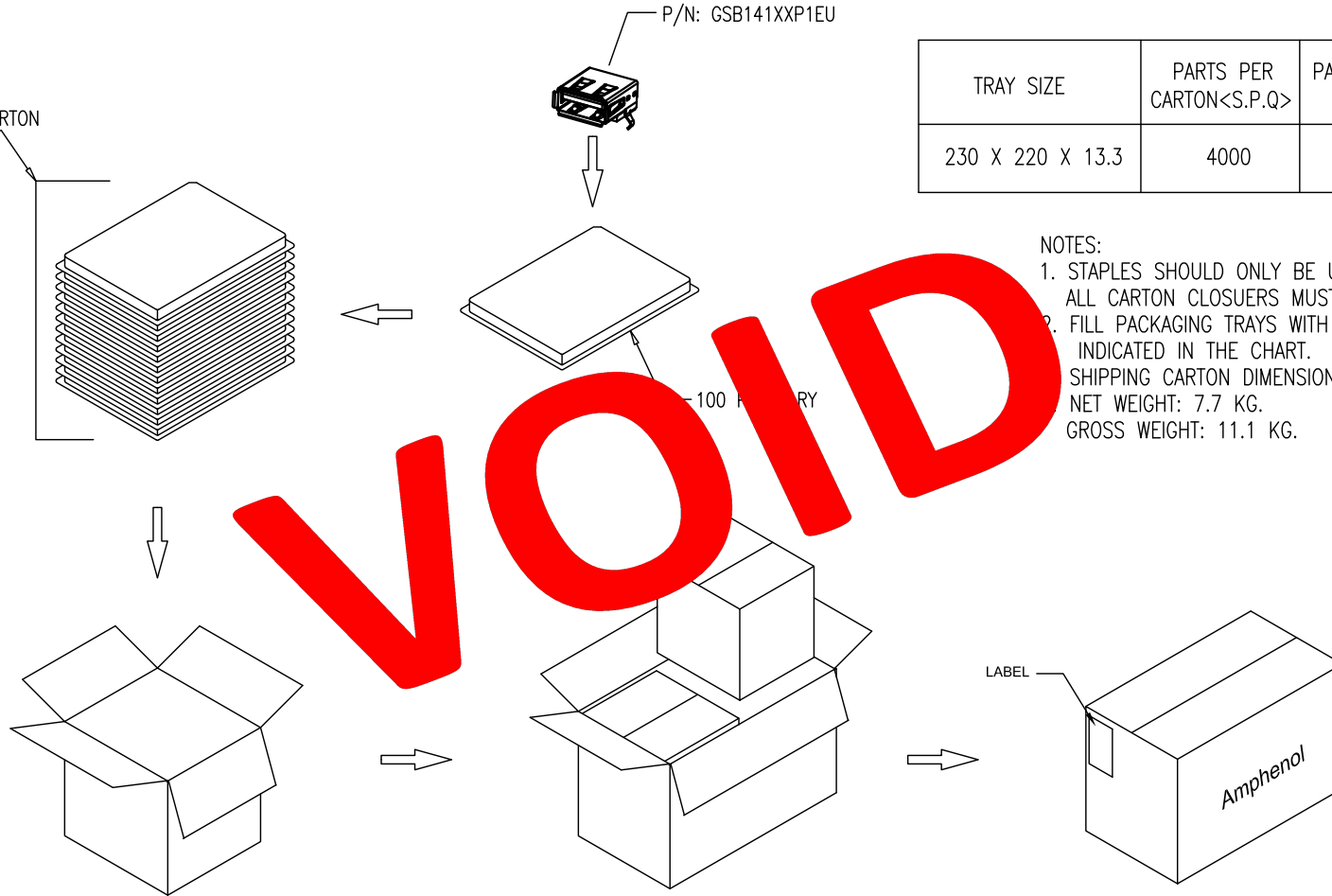
P/N: GSB141XXP1EU

TRAY SIZE	PARTS PER CARTON<S.P.Q>	PARTS PER TRAY	TOTEL TRAY PER CARTON
230 X 220 X 13.3	4000	100	40

NOTES:

1. STAPLES SHOULD ONLY BE USED TO SET UP CARTON. ALL CARTON CLOSURES MUST BE DONE WITH TAPE.
 2. FILL PACKAGING TRAYS WITH THE QUANTITIES AS INDICATED IN THE CHART.
- SHIPPING CARTON DIMENSION: 520 X 273 X 310 MM.
NET WEIGHT: 7.7 KG.
GROSS WEIGHT: 11.1 KG.

VOID



TOLERANCE		APPROVALS		DATE	TITLE		Amphenol®							
X.		DRAWN	Debby Hung	04/10/2012	GSB SERIES, A TYPE RECEPTACLE, SINGLE PORT R/A SMT TYPE		Amphenol Corporation Amphenol Taiwan Corporation							
X.X	±0.30	CHECKED	Roger Tsai	04/10/2012										
X.XX	±0.20	APPROVED	Arron Lin	04/10/2012										
X.XXX	±0.10	UNLESS OTHERWISE SPECIFIED		DWG TYPE	CUST DWG	PROJECT CODE	OTHER	UNIT	mm	SIZE	A3	PART No.	GSB141XXP1EU	
ANGULAR	±1°							SCALE	NA	SHEET	2 OF 2	DWG No.	GSB141XXP1EU	
												REV.	A	