

PCN – Process Change Notification

Change:	FW.80.SMA.M
Date:	2016/11/29
Author	Bonnie Chen

Affected Products

Model#	Part Number	Changes
Meteor-169MHz Flexible Whip Antenna SMA(M) Straight	FW.80.SMA.M	Amend Packaging.

Type of Change

- Hardware Modification
 Production Process Advance
 Others –Amend Packaging.

Description of Change

- Amend Packaging rule.

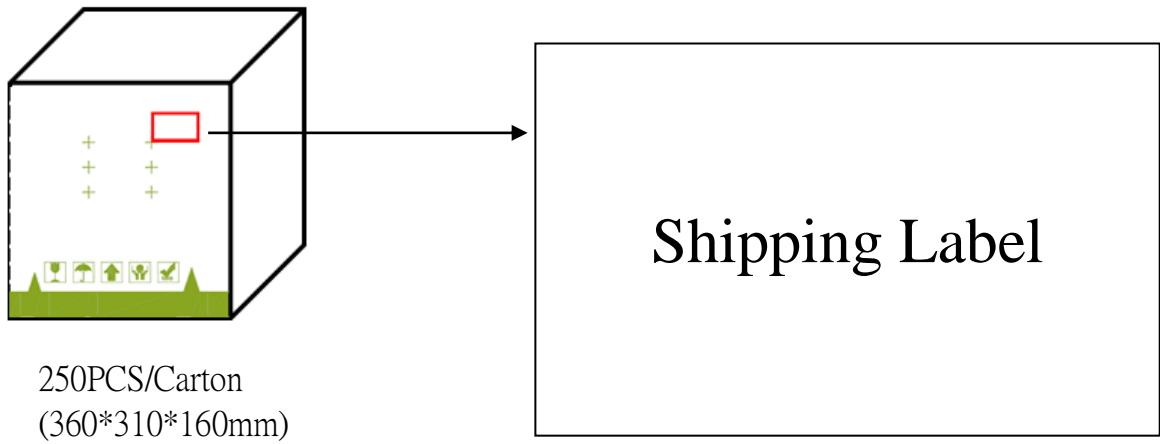
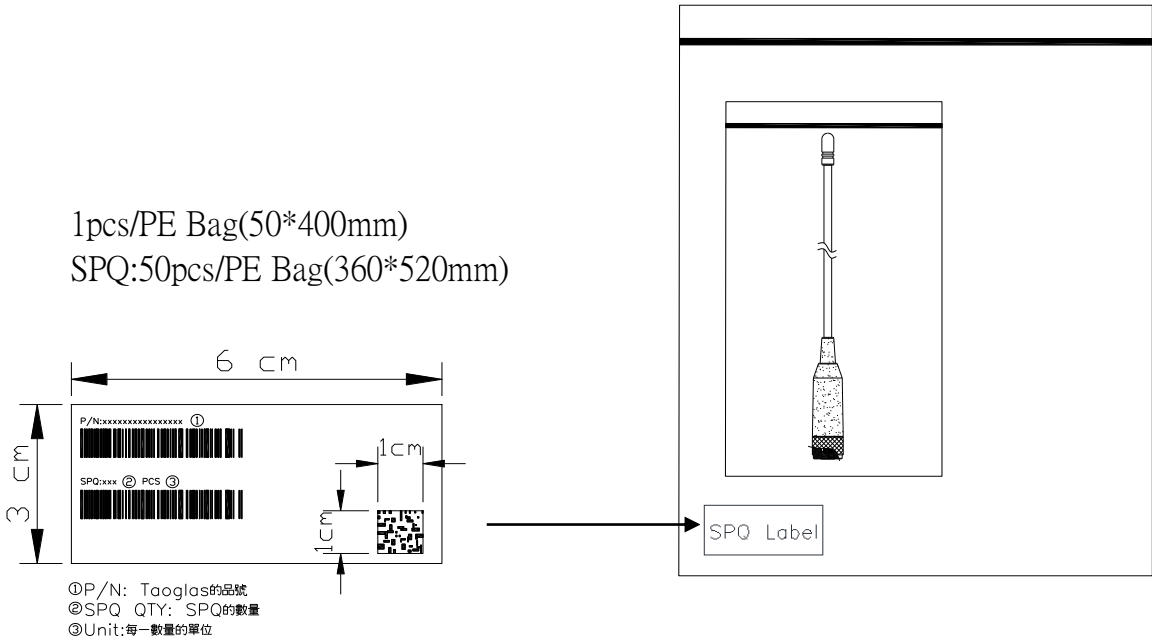
Schedule

2016, November, Taoglas will input this new packing into production.

Forecast Estimated Transition Date

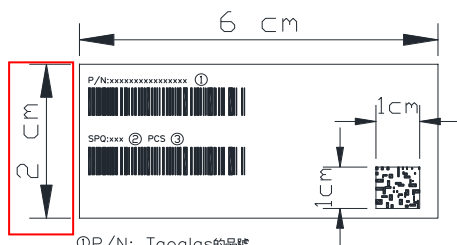
Nov./2016

**Illustration of Change
Old packaging**

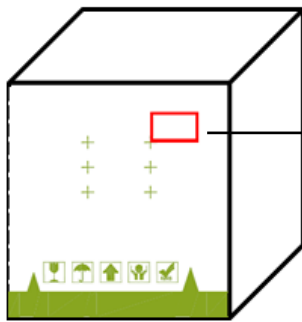
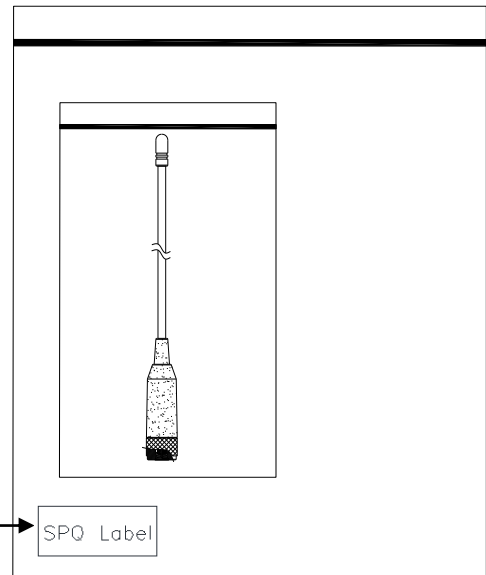


New packaging

1pcs/PE Bag(50*400mm)
 SPQ:50pcs/PE Bag(360*520mm)



ⒶP/N: Taoglas的品號
 ⒷSPQ QTY: SPQ的數量
 ⒸUnit:每一數量的單位



200PCS/Carton
 (360*310*160mm)

