

SIGN	DATE	DESCRIPTION	APPROVER
		<i>THIS IS CAD DRAWING, DO NOT REVISE MANUALLY!!!</i>	

SPECIFICATIONS

Current: 3A
 Temperature Range: -55°C ~ +85°C
 Contact Resistance: <20mΩ
 Insulation Resistance: >1000MΩ
 Withstanding Voltage: 500V AC/minute
 Material: P.B.T. + 15%G.F.
 Contact: Phosphor Bronze
 Flammability: UL 94V-0
 Contact retention force: 0.91kg min.
 Insertion force: 420g max. per contact
 (pin gauge SQ. 0.65mm)
 Withdrawal force: 28g min. per contact
 (pin gauge SQ. 0.65mm)

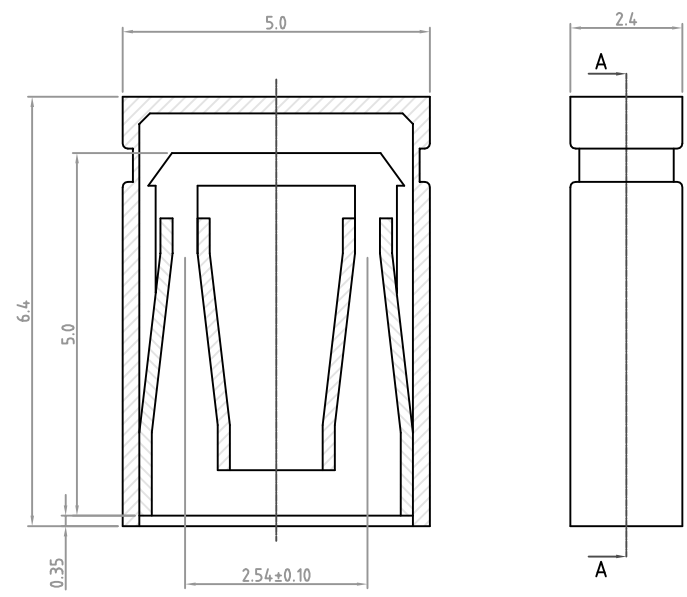
RoHS Compliant

PART NUMBER:

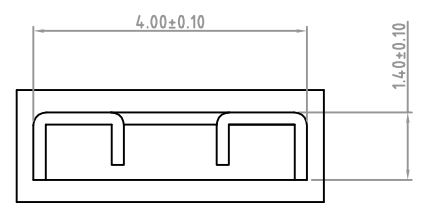
EDJ1XX

COLOR
 0 - Black
 1 - Red
 2 - White
 3 - Blue

G - Gold Flash
 Z - Tin



SEC A - A



THESE DRAWINGS AND SPECIFICATIONS ARE THE PROPERTY OF ON-SHORE TECHNOLOGY, INC. AND SHALL NOT BE REPRODUCED, COPIED OR USED IN ANY MANNER WITHOUT THE PRIOR WRITTEN CONSENT OF ON-SHORE TECHNOLOGY, INC.



TITLE		EDJ1 Series - 2.54mm shunt/jumper closed Top			
PART NO.	EDJ1XX	DWG NO.	EDJ1XX.DWG		
APPROVED	CHECKED	DESIGNED	DRAWN	4050	
	Sandy 2002.08.10	Marvin 2002.08.10	Marvin 2002.08.10	Tolerance	
				X.X ±0.20	
				X.XX ±0.10	
				UNIT: mm	
				SCALE: NONE	
				SHEET: 01/01	REV.: A