

**φ 100<sub>mm</sub>**

# San Ace C100



## General Specifications

- Material ..... Motor case: Aluminum,  
Impeller: Plastics (Flammability: UL94V-0)
- Expected Life ..... Refer to specifications (L10:Survival rate: 90% at 60°C ,  
rated voltage, and continuously run in a free air state)
- Lead Wire ..... ⊕red ⊖black (Sensor) yellow (Control) brown
- Storage Temperature ..... -30°C to +70°C (Non-condensing)

**φ 100mm × 25mm** (Mass : 150g) **9TM type**

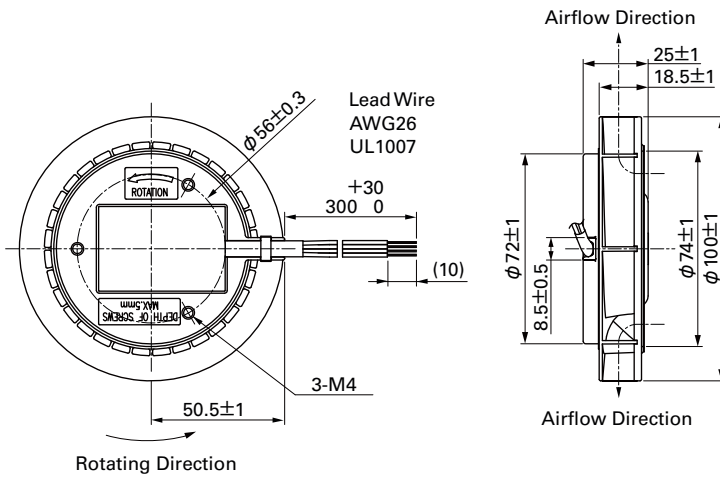
**Specifications** When our inlet nozzle [Option (Model NO. : 109-1080)] is mounted. The following nos. **have PWM controls and pulse sensors.**

Model No.	Rated Voltage [V]	Operating Voltage Range [V]	PWM duty cycle* [%]	Rated Current [A]	Rated Input [W]	Rated Speed [min <sup>-1</sup> ]	Max. Airflow [m <sup>3</sup> /min] [CFM]	Max. Static Pressure [Pa] [inchH <sub>2</sub> O]	SPL [dB(A)]	Operating Temperature [°C]	Expected Life [h]
9TM48P4H01	48	36 to 60	100	0.22	10.56	6,400	1.77 62.5	560 2.25	60	-20 to +70	40,000/60°C
			0	0.04	1.92	2,000	0.51 18.0	48 0.19	34		

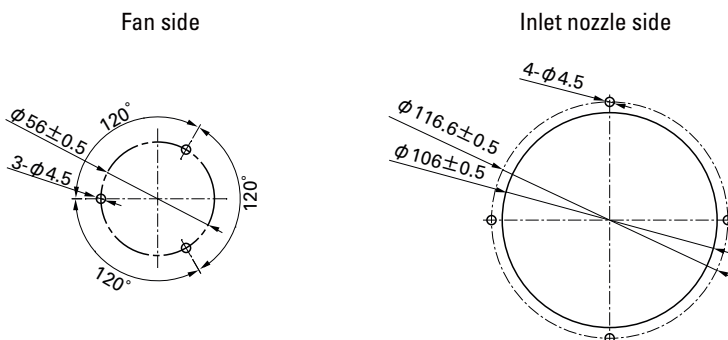
Note : Max input is 14W at rated voltage.

※ PWM Frequency : 25kHz

## Dimensions (unit: mm)



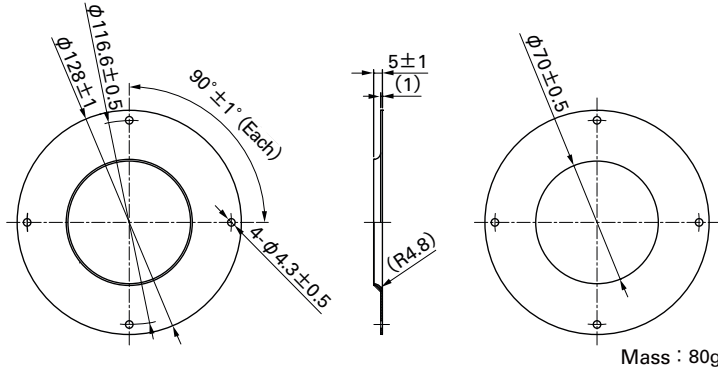
## Reference Dimensions of Mounting Holes and Vent Opening (unit: mm)



**Options (unit: mm)**

**Inlet Nozzle**

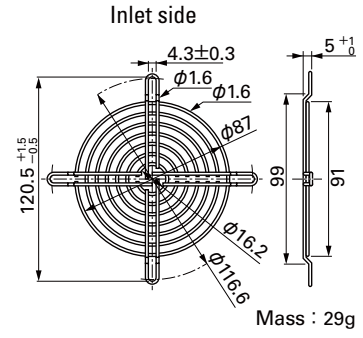
Model : 109-1080 Material: Steel sheet Surface treatment: Electro nickel plating (silver) Color



Mass : 80g

**Finger Guards**

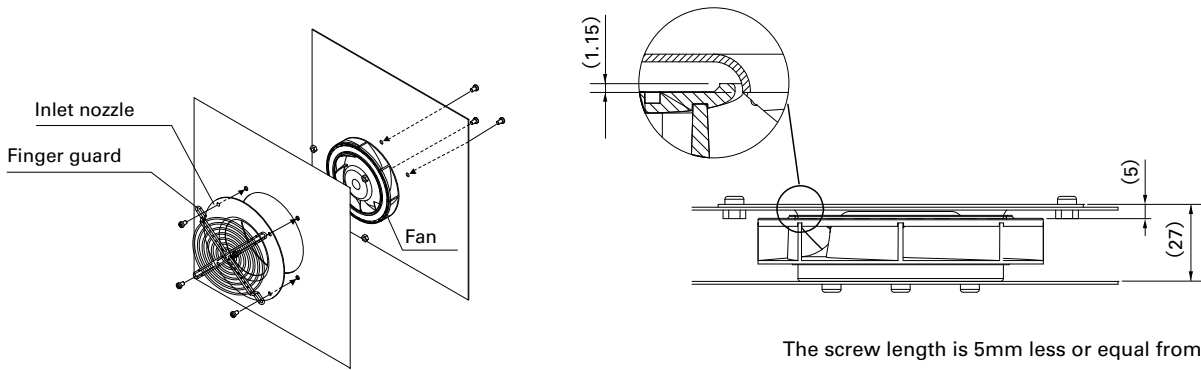
Model : 109-099E Surface treatment : Nickel-chrome plating (silver) Color : 109-099H : Cation electropainting (black)



Mass : 29g

Inlet nozzle : Nozzle mounted in fan inlet side to adjust the flow of introduced air

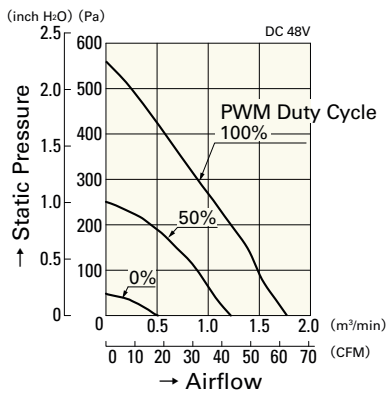
**Reference Diagram for Mounting**



The screw length is 5mm less or equal from fan edge side.

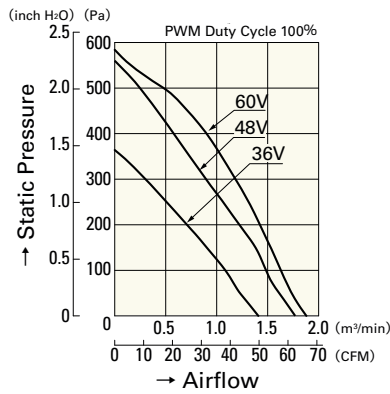
**Airflow - Static Pressure Characteristics**

**PWM Duty Cycle**



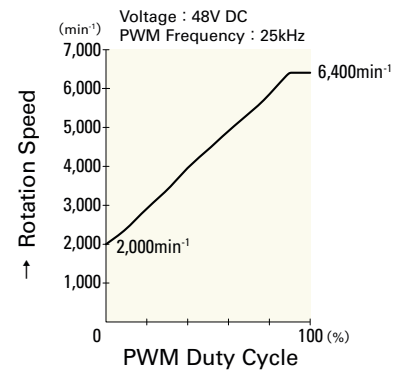
**9TM48P4H01**

**Operating Voltage Range**



**9TM48P4H01**

**PWM Duty - Speed Characteristics Example**



**9TM48P4H01**