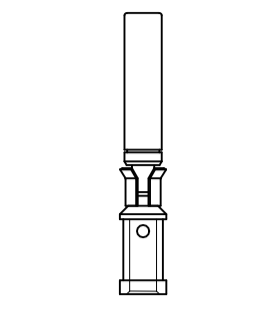
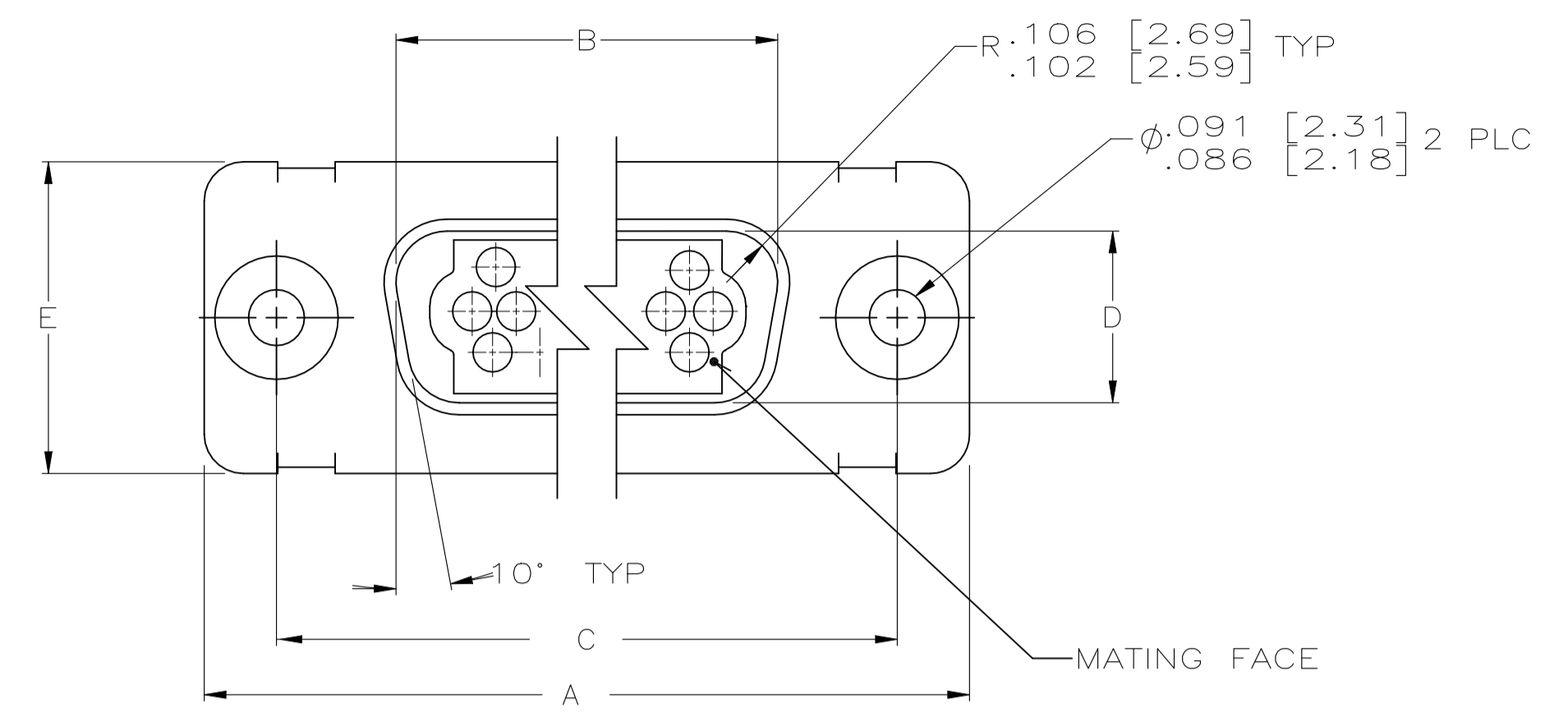
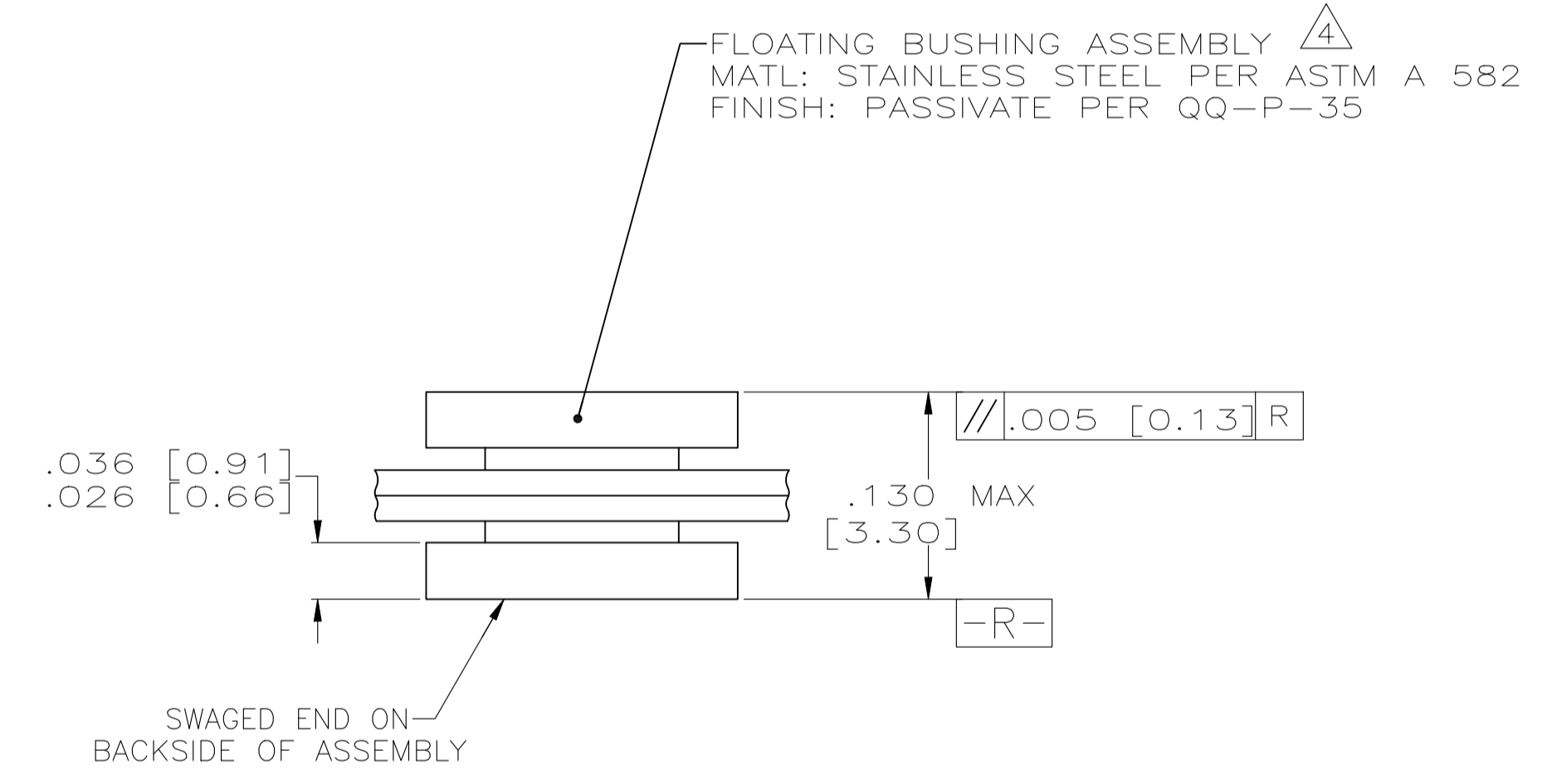
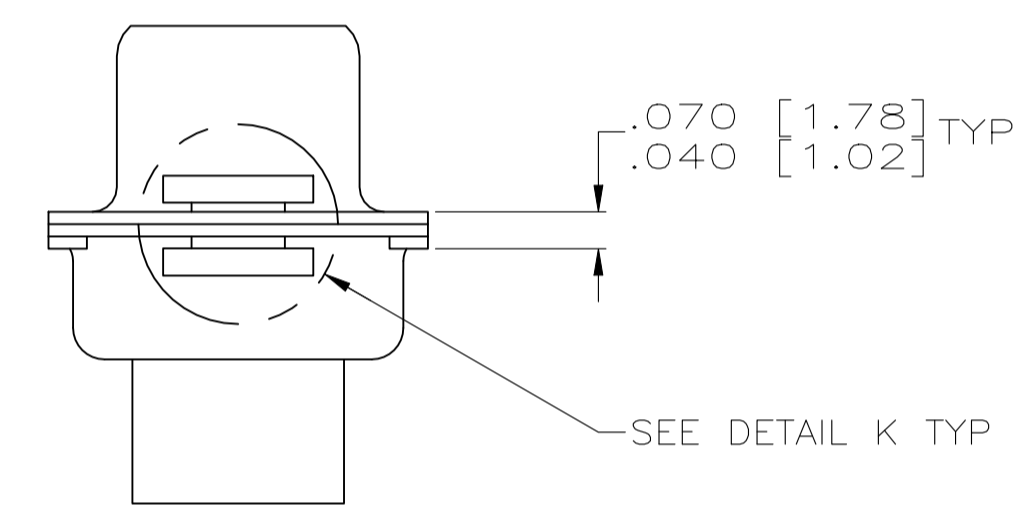
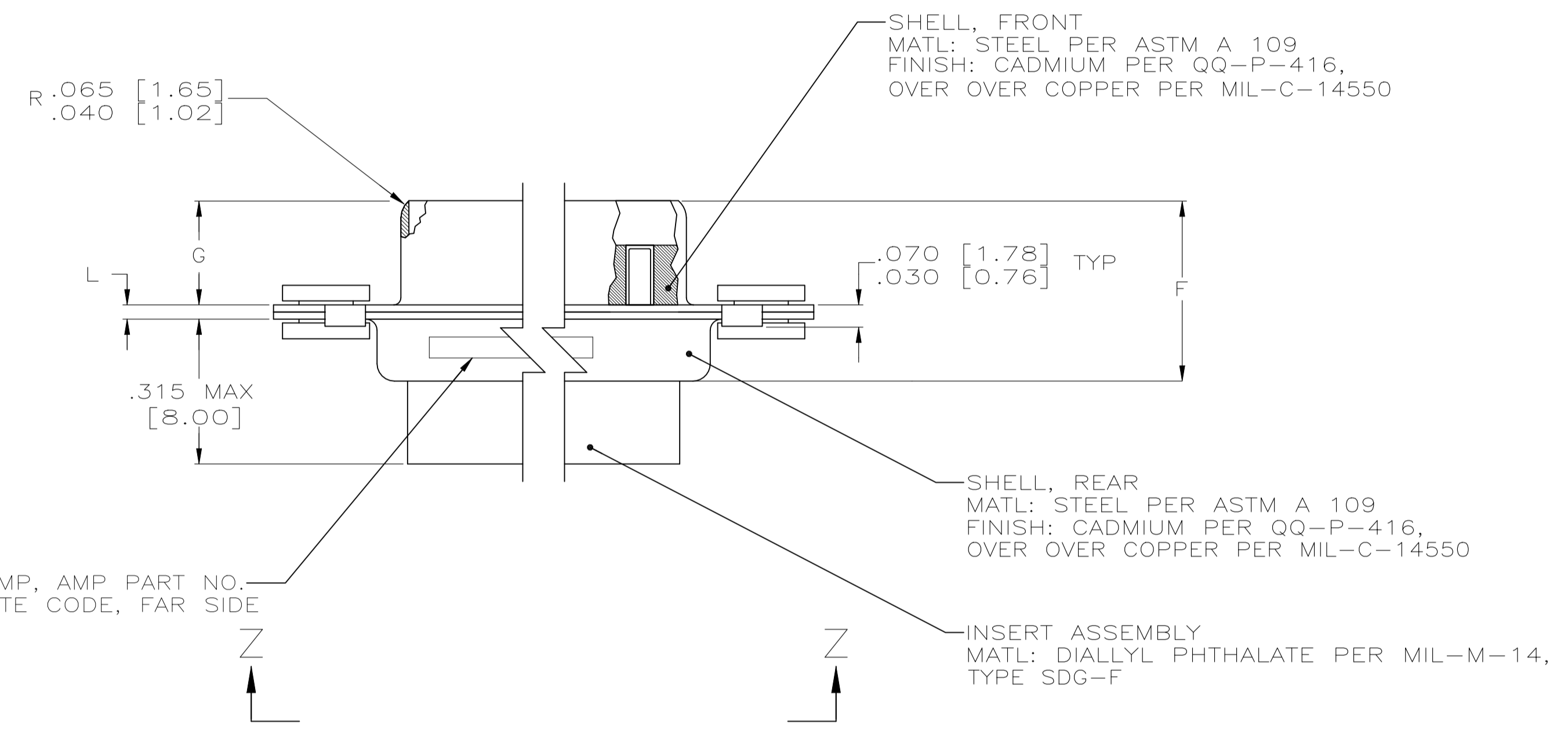


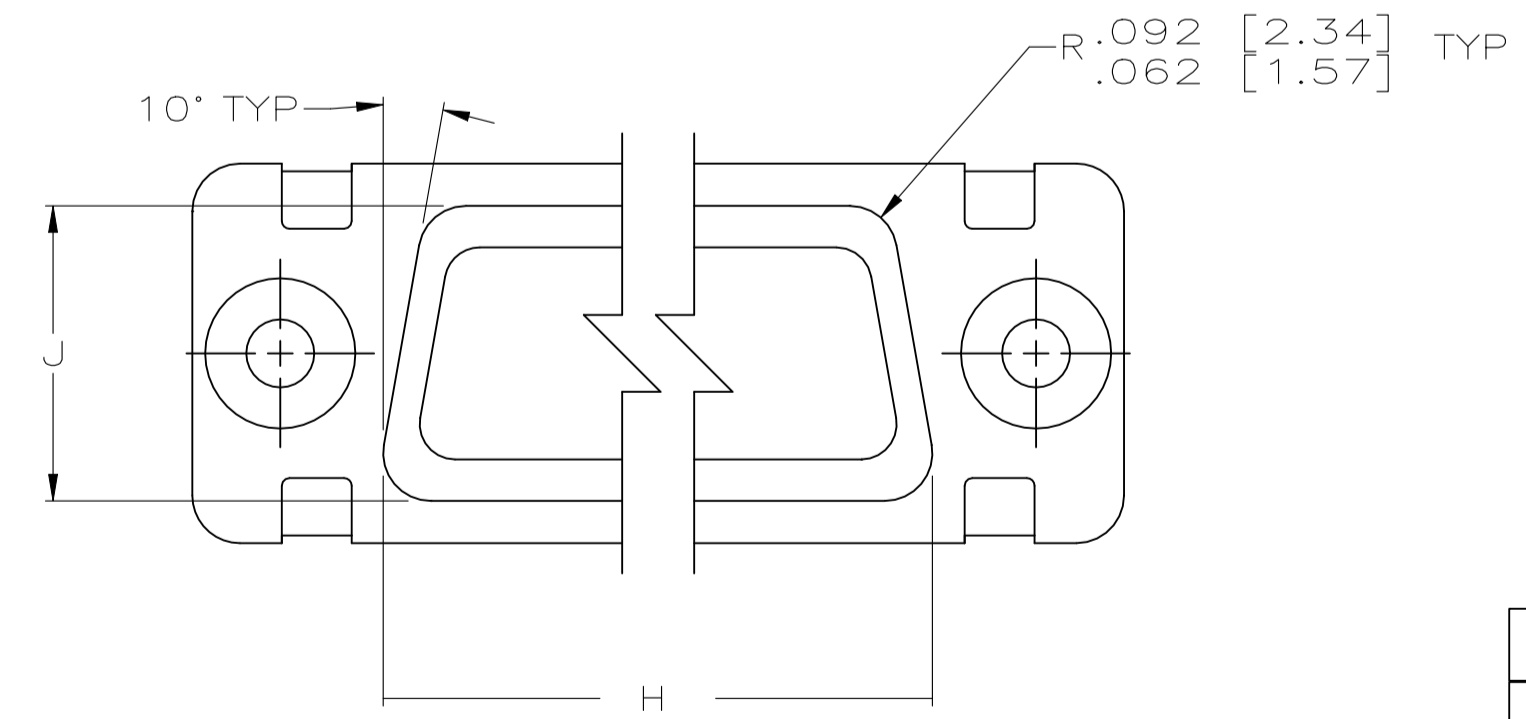
REVISIONS					
REV	DATE	DESCRIPTION	BY	CHK	APPV
F	25OCT2021	REVISED PER ECO-21-000776	JAB	DM	DM



- DIMENSIONS AND TOLERANCES PER ANSI Y14.5M-1982.
- SEE SHEET 2 FOR INSERT ARRANGEMENTS.
- MARK WITH .047 [1.19]-.062 [1.57] HIGH CHARACTERS. FAR SIDE REFERS TO THE WIDE SIDE OF THE KEYSTONE. NEAR SIDE REFERS TO THE NARROW SIDE OF THE KEYSTONE. MARK SIZE 1 AND SIZE 2 SHELLS AS FOLLOWS:
 - A. AMP AND DATE CODE ON REAR SHELL, FAR SIDE.
 - B. AMP PART NUMBER ON REAR SHELL, NEAR SIDE
- FLOAT SPECIFICATIONS ARE .004 [0.10]-.012 [0.30] VERTICALLY AND .026 [0.66]-.036 [0.91] HORIZONTALLY.



MARK AMP, AMP PART NO. AND DATE CODE, FAR SIDE



DETAIL K SCALE 10:1

OBSOLETE		.544 [13.82]	2.188 [55.58]			.620 [15.75]	.446 [11.33]	2.411 [61.24]	2.084 [52.93]	2.650 [67.31]	100	5	593213-5
OBSOLETE	.049 [1.24]	.524 [13.31]	2.282 [57.96]	.236 [5.99]	.436 [11.07]	.590 [14.99]	.436 [11.07]	2.505 [63.63]	2.187 [55.55]	2.744 [69.70]	79	4	593213-4
OBSOLETE	.029 [0.74]		2.262 [57.45]	.224 [5.69]	.416 [10.57]			2.495 [63.37]	2.177 [55.30]	2.714 [68.94]			
		.432 [10.97]	1.635 [41.53]			.509 [12.93]	.334 [8.48]	1.857 [47.17]	1.539 [39.09]	2.103 [53.42]	52	3	593213-3
	.040 [1.02]	.412 [10.46]	1.615 [41.02]			.479 [12.17]	.324 [8.23]	1.847 [46.91]	1.529 [38.84]	2.073 [52.65]			
	.020 [0.51]		1.093 [27.76]	.241 [6.12]	.432 [10.97]			1.317 [33.45]	.999 [25.37]	1.556 [39.52]	31	2	593213-2
			1.073 [27.25]	.229 [5.82]	.412 [10.46]			1.307 [33.20]	.989 [25.12]	1.526 [38.76]	19	1	593213-1
			.769 [19.53]					.989 [25.12]	.671 [17.04]	1.228 [31.19]			
			.749 [19.02]					.979 [24.87]	.661 [16.79]	1.198 [30.43]			
	L	J	H	G	F	E	D	C	B	A	NO OF POS	SHELL SIZE	PART NUMBER

THIS DRAWING IS A CONTROLLED DOCUMENT.

DIMENSIONS: mm [INCHES]	TOLERANCES UNLESS OTHERWISE SPECIFIED:	DIN J.A. BAKER 09-09-95	APPROVED G. BIXLER 10-4-95	NAME								
ϕ	0 PLC ± -	1 PLC ± -	2 PLC ± -	3 PLC ± -	4 PLC ± -	ANGLES ± -	FINISH -	WEIGHT 0.000000	SIZE A1	CAGE CODE 00779	DRAWING NO. C=593213	RESTRICTED TO
MATERIAL -	FINISH -	APPROVED G. BIXLER 10-4-95	PRODUCT SPEC	APPLICATION SPEC	SIZE	CAGE CODE	DRAWING NO.	WEIGHT	SIZE	CAGE CODE	DRAWING NO.	RESTRICTED TO

CUSTOMER DRAWING SCALE 1:1 SHEET 1 OF 2 REV F