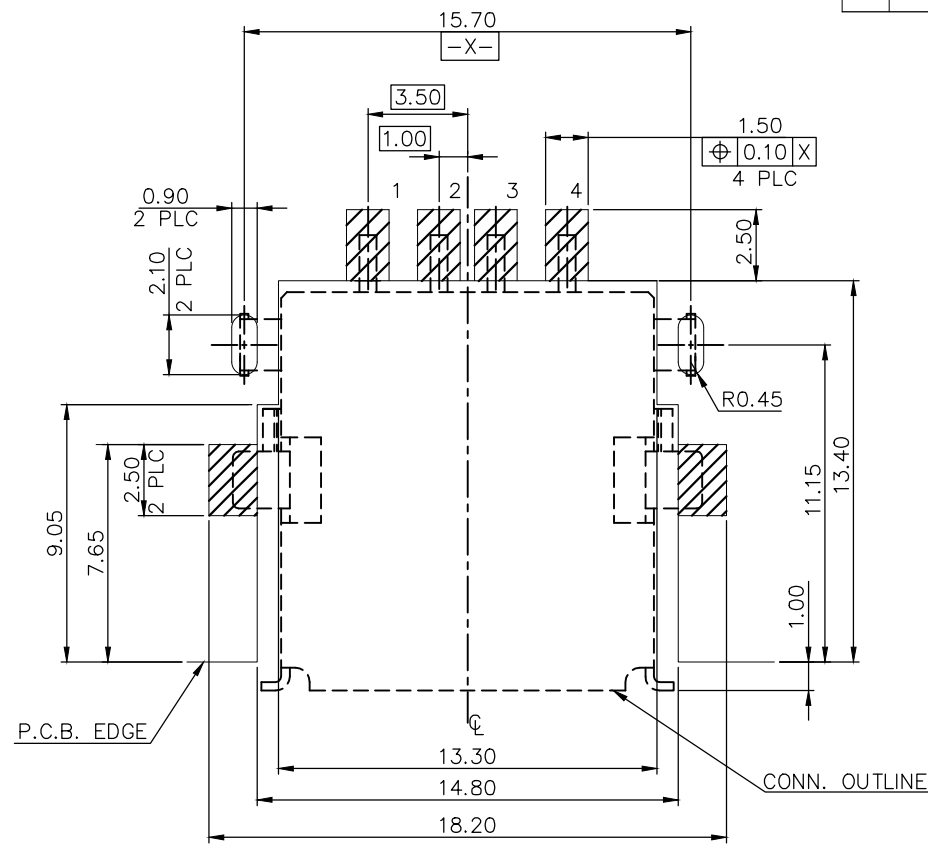
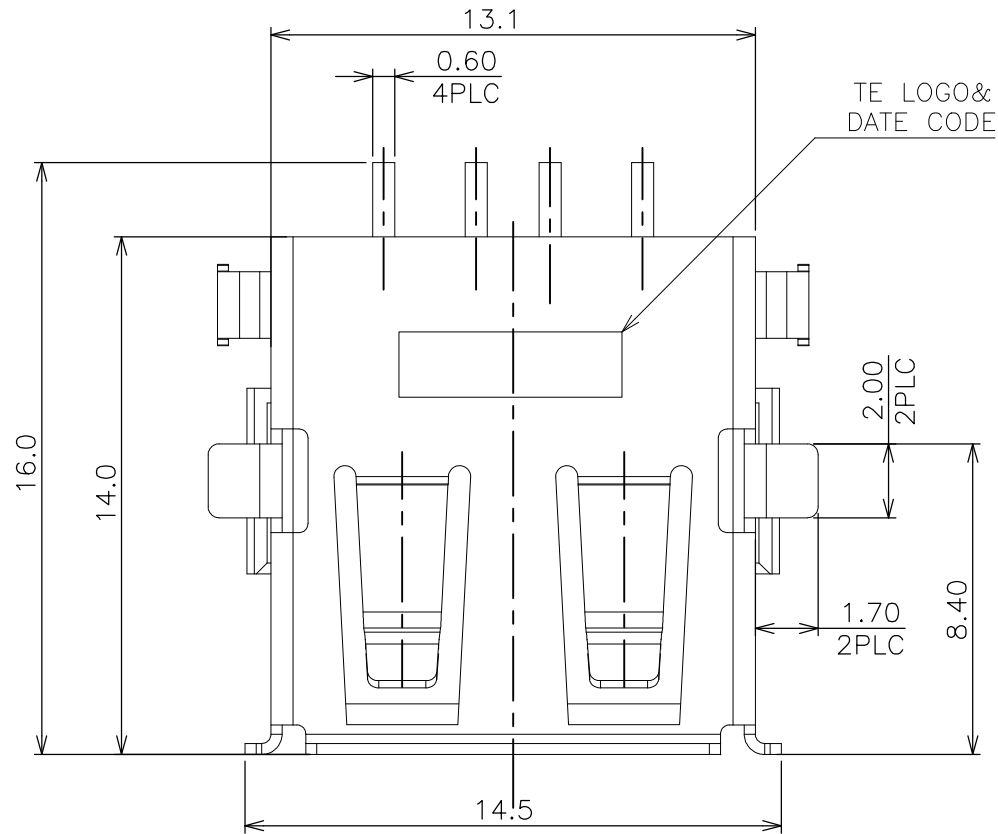


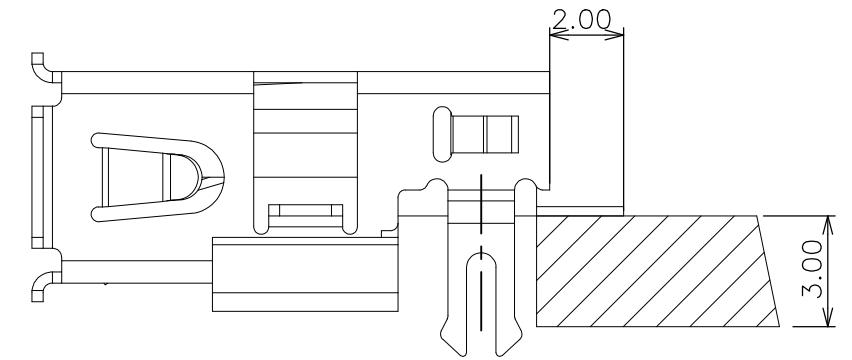
REVISIONS

P	LTR	DESCRIPTION	DATE	DWN	APVD
B3		REVISED PER ECR-18-006778	18JUL2018	T.Z	S.L



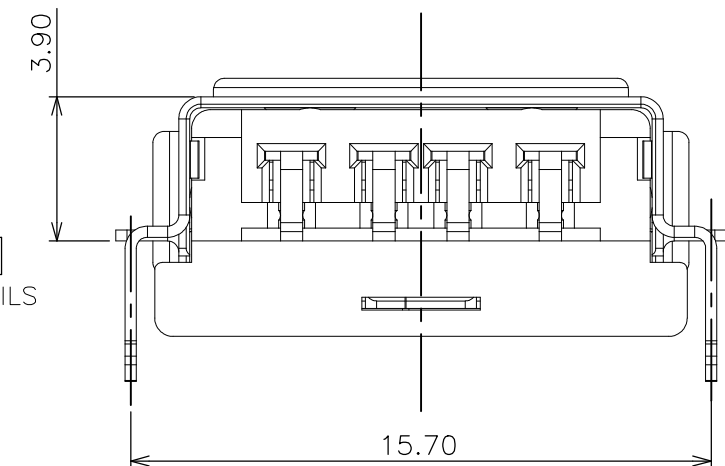
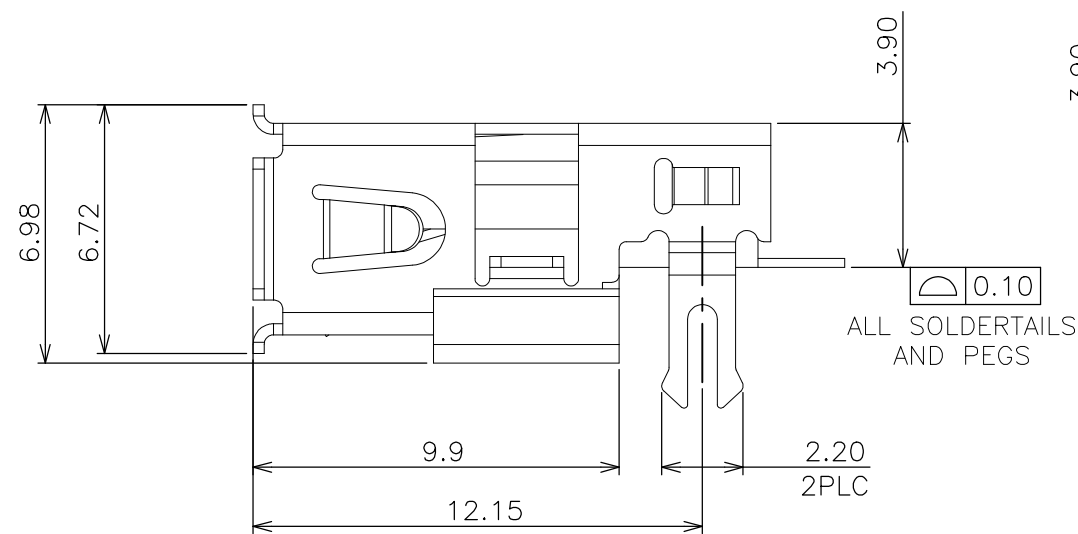
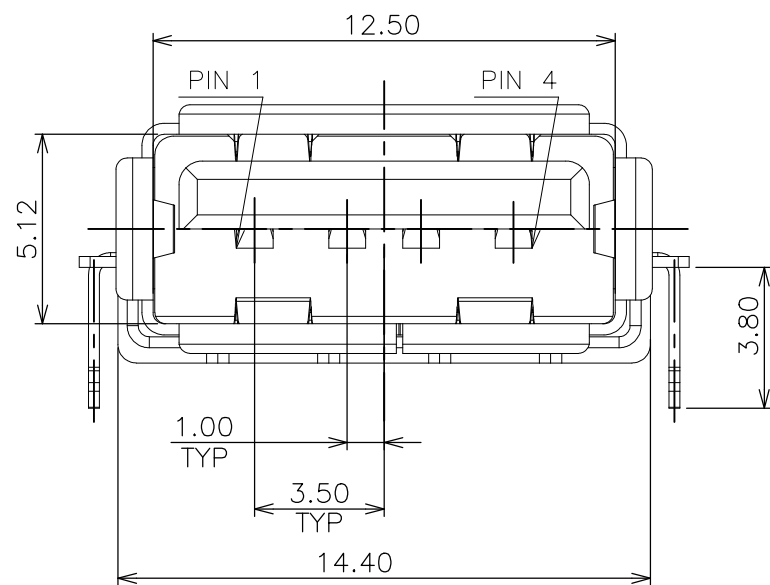
NOTE:

- MATERIAL:  
HOUSING: PA9T WITH 33%GF, UL 94V-0, BLACK COLOR.  
CONTACT: PHOSPHOR BRONZE.  
SHELL: BRASS.
- FINISH:  
CONTACT: 0.762µm [30µ"] MIN. GOLD PLATING ON CONTACT AREA,  
2.54µm [100µ"] MIN. BRIGHT TIN PLATING ON SOLDER TAILS,  
1.27µm [50µ"] MIN. NICKEL UNDERPLATING OVERALL.  
SHELL: 0.762µm [30µ"] MIN. NICKEL PLATING OVERALL.
- REFLOW SOLDER CAPABLE TO 260°C PER TE SPEC 109-201, CONDITION B.



RECOMMEND P.C.B LAYOUT (THICKNESS=3.0mm)  
(COMPONENT SIDE) TOLERANCE±0.05

RECOMMENDED MOUNT DIMENSION



THIS DRAWING IS A CONTROLLED DOCUMENT.

DWN TONY ZHU 16-JUL-2018

CHK SIMON LI 16-JUL-2018

APVD SIMON LI 16-JUL-2018

PRODUCT SPEC

108-57505

APPLICATION SPEC

WEIGHT 1.51

CUSTOMER DRAWING



NAME USB CONNECTOR, RECEPTACLE  
4 POSITION, SERIES A

SIZE CAGE CODE DRAWING NO RESTRICTED TO

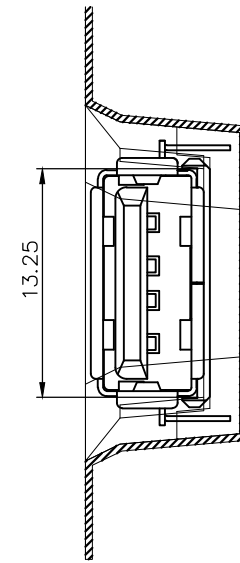
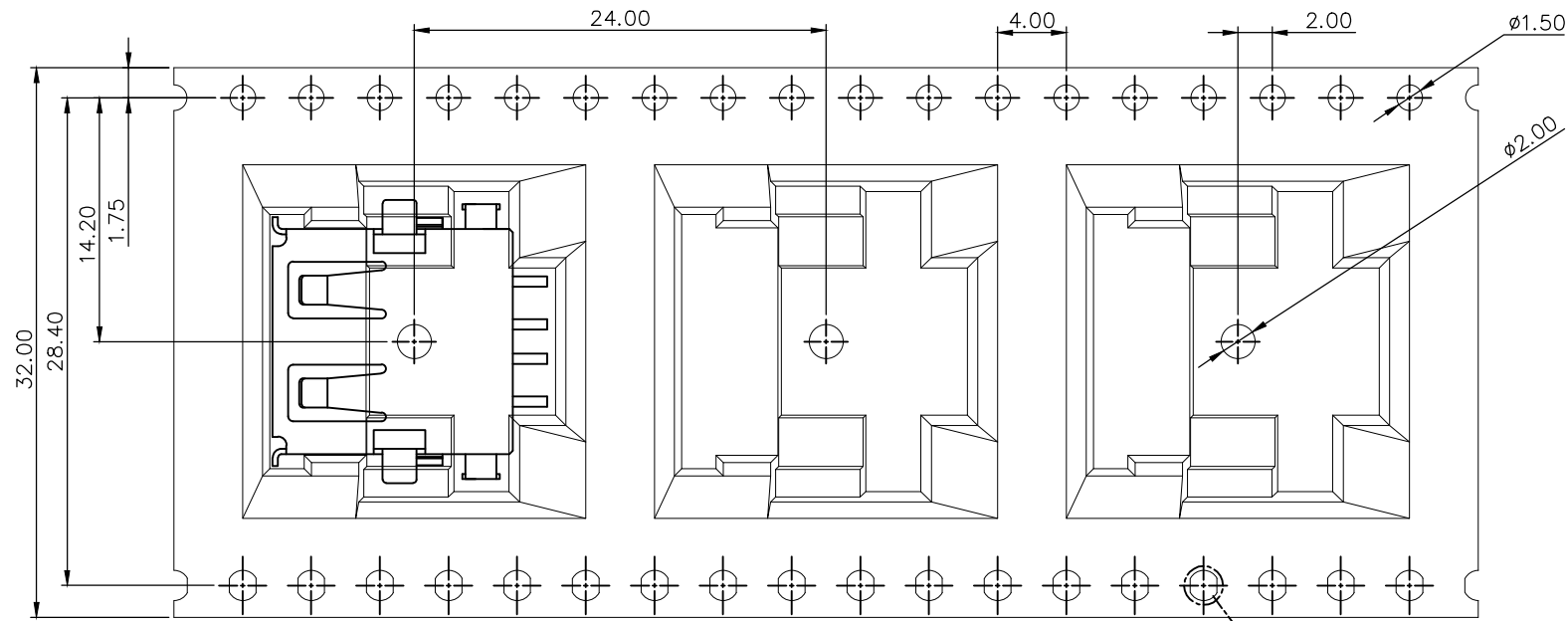
A3 00779 C-2041335 -

SCALE NA SHEET 1 OF 2 REV B3

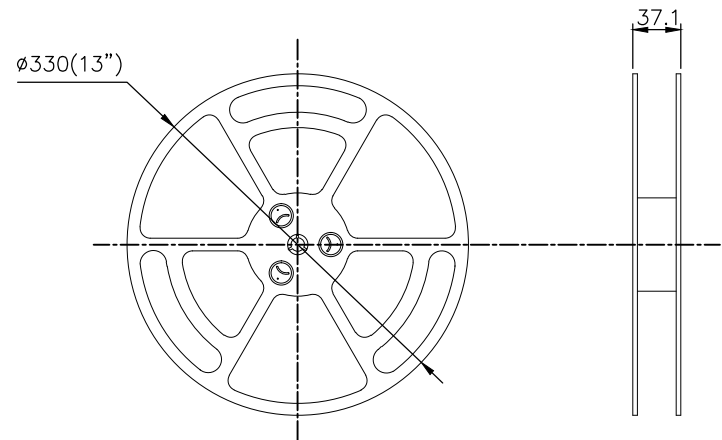
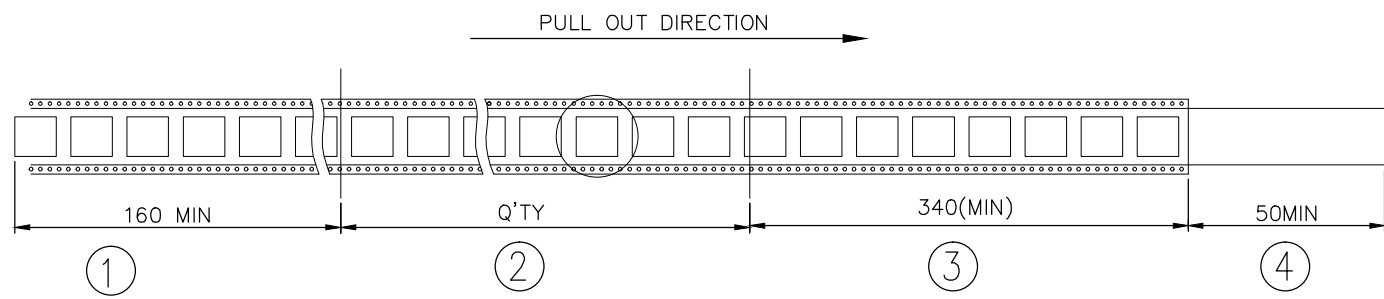
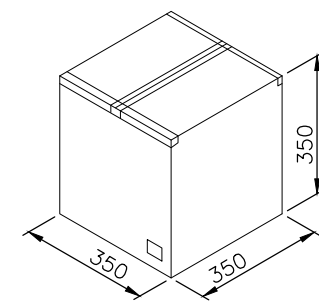
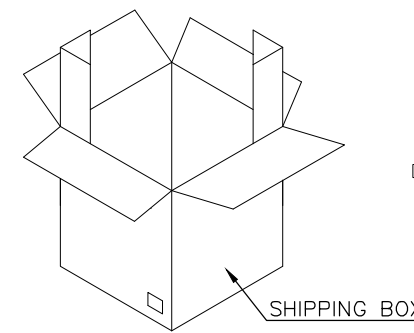
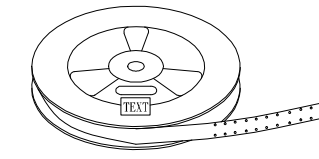
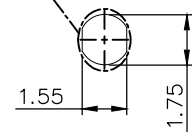
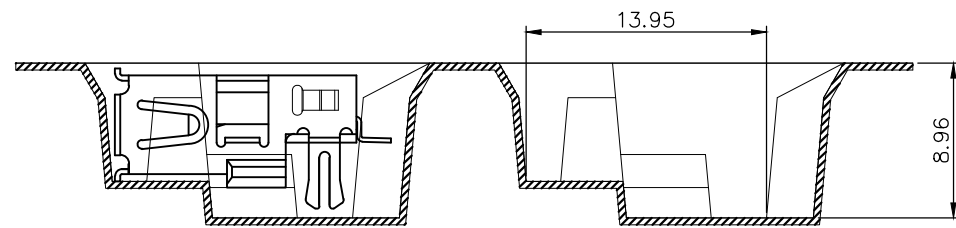
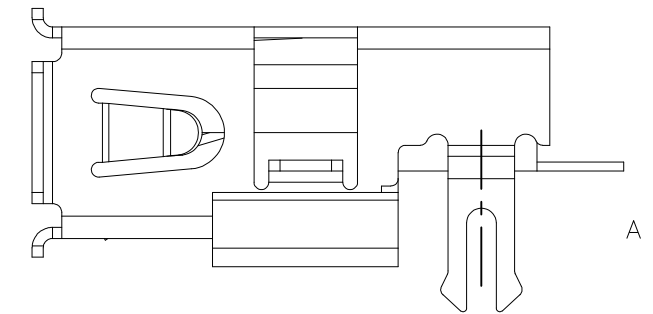
DIMENSIONS:	TOLERANCES UNLESS OTHERWISE SPECIFIED:
mm	
	0 PLC
	1 PLC ±0.30
	2 PLC ±0.20
	3 PLC
	4 PLC
	ANGLES ±3°
MATERIAL	FINISH
SEE NOTE	SEE NOTE

REVISIONS


P	LTR	DESCRIPTION	DATE	DWN	APVD
		SEE SHEET 1.			



NOTE:  
 1. PEELING RESISTANCE : 10gf~130gf (for 12mm~56mm)  
 2. PEELING SPEED : 300mm/MINUTES



8.50Kg	3.40Kg	250	9	2250 PCS	2041335-1
GROSS WEIGHT	NET WEIGHT	PCS/REEL	REELS/CARTON	QUANTITY	PART NUMBER

THIS DRAWING IS A CONTROLLED DOCUMENT.		DWN	 <b>TE Connectivity</b>			
DIMENSIONS: mm		CHK				
TOLERANCES UNLESS OTHERWISE SPECIFIED:		APVD				
0 PLC 1 PLC 2 PLC 3 PLC 4 PLC ANGLES MATERIAL FINISH		PRODUCT SPEC				
		APPLICATION SPEC	NAME USB CONNECTOR,RECEPTACLE 4 POSITION,SERIES A			
		WEIGHT	SIZE	CAGE CODE	DRAWING NO	RESTRICTED TO
		CUSTOMER DRAWING	A3	00779	2041335	-
			SCALE	SHEET	OF	REV
			NA	2	2	B3