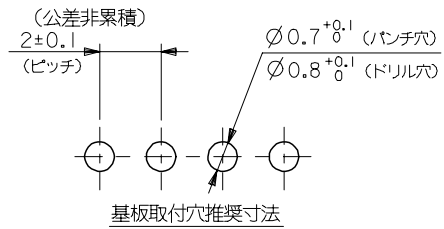
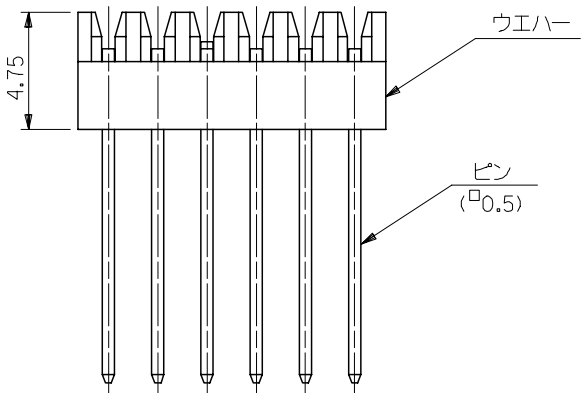
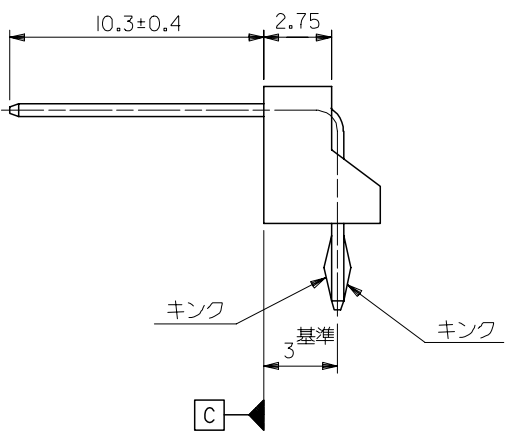
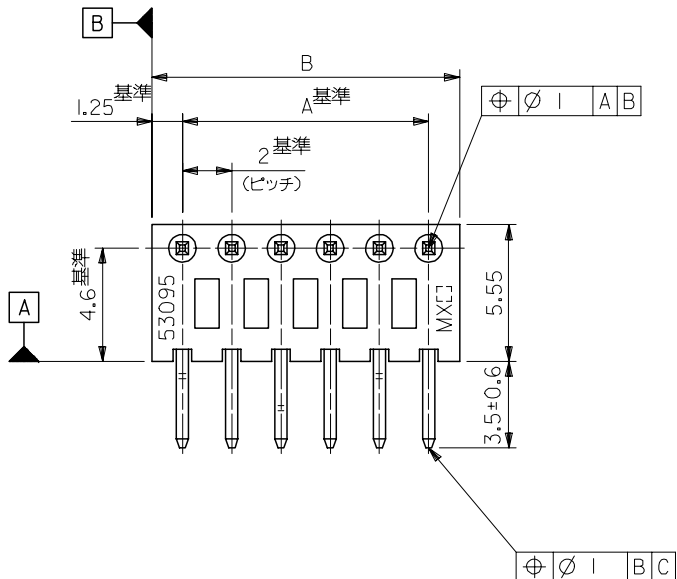


10 9 8 7 6 5 4 3 2 1

F  
E  
D  
C  
B  
A



- NOTES:
1. 嵌合相手: 52084-\*\*10
  2. ソルダータールキンは 1ピンおきに交互に付加する。
  3. 材料  
ウエハー: 66ナイロン, UL 94V-0  
ピン: 黄銅, 銅下地錫メッキ
  4. 本製品は 53095-\*\*10 の鉛フリー品である。



30.5	28	53095-1519	15
28.5	26	-1419	14
26.5	24	-1319	13
24.5	22	-1219	12
22.5	20	-1119	11
20.5	18	-1019	10
18.5	16	-0919	9
16.5	14	-0819	8
14.5	12	-0719	7
12.5	10	-0619	6

53095-**19	10.5	8	53095-0519	5
MODEL NO.	B	A	MATERIAL NO.	極数

REVISED EC NO: J2006-2675 DRWN: NABE 2006/04/25 CHKD: THARUYAMA 2006/04/26 APPR: NUKITA 2006/04/28	GENERAL TOLERANCES (UNLESS SPECIFIED)		DIMENSION STYLE MM ONLY		SCALE ---	DESIGN UNITS METRIC	THIRD ANGLE PROJECTION	
	10 UNDER	±0.2	DRAWN BY H. KAWABATA	DATE '04/03/15	TITLE 2.0 PITCH BOARD TO BOARD CONN. WAFER ASS R.A. -LEAD FREE-			
	10 OVER 30 UNDER	±0.25	CHECKED BY K. TOJO	DATE '04/03/15				
	30 OVER	±0.3	APPROVED BY M. SASAO	DATE '04/03/15	MOLEX INCORPORATED			
	ANGULAR	±3 °	MATERIAL NO.	DOCUMENT NO. SD-53095-001				
DRAFT WHERE APPLICABLE MUST REMAIN WITHIN DIMENSIONS		SIZE A3		THIS DRAWING CONTAINS INFORMATION THAT IS PROPRIETARY TO MOLEX INCORPORATED AND SHOULD NOT BE USED WITHOUT WRITTEN PERMISSION				