

S-1110 PoE Media and Rate Converters

 perle.com/products/10-100-1000-poe-media-converters.shtml

PoE / PoE+ Ethernet to Fiber Conversion

- 10/100/1000Base-T to 100/1000Base-X Fiber
- Supplies IEEE 802.3 PoE & PoE+ PSE power
- Compatible with legacy pre-standard PoE devices
- Multiport models: 2, 3 or 4 ports
- Fix fiber ports or empty slot for Cisco and other industry standard SFPs
- Advanced features: PD Reset, Fiber redundancy, Smart Link Pass-Through, Fiber Fault Alert, Auto-MDIX and Loopback



Perle's feature rich **Gigabit rate converting PoE Media Converters** transparently connect copper to fiber while providing Power over Ethernet (PoE) to standards-based PoE and PoE+ compliant devices such as IP cameras, VoIP phones and wireless access points. **S-1110 PoE Media Converters** are also available with support for Extended Temperature ranges.

Perle **PoE Media Converters** are classified as Power Sourcing Equipment (PSE). While using standard UTP cables that carry Ethernet data, Perle PoE media converters can also provide power to one or two Powered Devices (PDs). Perle has PoE media converter models that support the IEEE 802.3af PoE standard (15.4W of power) or the IEEE 802.3at PoE+ standard (30W of power). Learn more about PoE.

Perle **10/100/1000 PoE Ethernet to Fiber Converters** provide an economical path to extend the distance of an existing network with fiber cabling. At the same time they function as PoE injectors to power devices like IP phones, video conferencing equipment, IP cameras and Wi-Fi devices over copper UTP cabling.

Multi-port PoE media converters enable a variety of flexible network designs. They can feature single or dual RJ-45 ports to power one or two PD's per converter and single or dual fiber ports.

Network Administrators can "see-everything" with Perle's advanced features such as Auto-Negotiation, Auto-MDIX, Link Pass-Through, Fiber Fault Alert, and Loopback. This allows for more efficient troubleshooting and less on-site maintenance. These cost and time saving features, along with a lifetime warranty and free worldwide technical support, make Perle's **Gigabit rate converting PoE Media Converters** the smart choice for IT professionals.

Gigabit Rate Converting to Fiber PoE Media Converter Features

Power Over Ethernet (PSE) Performs the Power Sourcing Equipment (PSE) function on 1 or 2 UTP ports for IEEE 802.3af (15.4 watts PoE) and IEEE 802.3at (up to 30 watts PoE+) compliant devices.

Available in PoE and PoE+ models

PoE+ models support both Type 1 (PoE) and Type 2 (PoE+) PD gear

-
- | | |
|---------------------------|---|
| Advanced Power Management | <ul style="list-style-type: none">• Enable/Disable PSE power by UTP port• PD signature detection• Over-Current Protection• PD power classification detection (Class 0,1,2,3,4) |
|---------------------------|---|
-

PD Power Reset Ideal for remotely resetting equipment, this configurable function performs a momentary power reset to the attached Powered Device (PD). When enabled, the media converter will, upon loss of fiber RX, turn off PSE output power supplied to the PD device for 2 seconds then turn the power back on and leave it on until such time that another fiber RX link is lost (after it was re-established). When disabled, a loss of fiber RX has no effect on PSE power to the PD device(s).

-
- | | |
|------------------------|--|
| Powered Device Support | Support is included for a broad range of PD (Powered Devices) <ul style="list-style-type: none">• IEEE Standard PoE/PoE+ (Alternative A and B)• Legacy High Capacitance PDs• Legacy VoIP phones and Wireless Access Points |
|------------------------|--|
-

- | | |
|--------------------------|---|
| Multiport Configurations | <ul style="list-style-type: none">• 2 port – 1 UTP and 1 fiber (fixed fiber or SFP slot)• 3 port - 1 UTP and 2 SFP fiber slots or 2 UTP and 1 fiber (fixed fiber or SFP slot)• 4 port - 2 UTP and 2 SFP fiber slots |
|--------------------------|---|
-

Fiber Redundancy	When enabled on dual fiber models, the media converter treats Fiber 1 as the primary and if the link fails, the fiber link is switched over to fiber 2 within 50ms.
------------------	---

Redundant Primary Fiber	If the “Fiber Redundancy” feature is also enabled, the primary fiber 1 link is continuously monitored and if is restored for at least 6 seconds, the link will be switched back from the secondary fiber 2 port to the primary fiber 1 port.
-------------------------	--

Power Strain Relief strap	Included with all models, a strain relief strap is provided to ensure a solid and secure power connection to the media converter. Ideal for areas that may be exposed to vibration.
---------------------------	---

SFP Speed Sensing	Automatically detects whether a Gigabit or Fast Ethernet fiber SFP has been inserted and adjusts accordingly.
Auto-Negotiation (802.3u)	<p>The media converter supports auto negotiation. The 1000Base-X fiber interface negotiates according to 802.3 clause 37. The 10/100/1000Base-T negotiates according to 802.3 clause 28 and 40. The 1000Base-X will link up with its partner after the highest common denominator (HCD) is reached and the copper has linked up with its partner. The 1000Base-X will continue to cycle through negotiation transmitting a remote fault of offline (provided this is enabled through the switch setting) until the copper is linked up and the HCDs match.</p> <p>The media converter supports auto-negotiation of full duplex, half duplex, remote fault, full duplex pause, asymmetric pause and Auto MDI-X.</p>
Auto-MDIX	<p>Auto-MDIX (automatic medium-dependant interface crossover) detects the signaling on the copper Ethernet interface to determine the type of cable connected (straight-through or crossover) and automatically configures the connection when enabled. The media converter can also correct for wires swapped within a pair.</p> <p>The media converter will adjust for up to 120ns of delay skew between the 1000Base-T pairs.</p>
Smart Link Pass-Through	When the Link Mode switch is placed into Smart Link Pass-Through mode, the copper Ethernet port will reflect the state of the 1000Base-X media converter port. This feature can be used whether fiber auto-negotiation is enabled or disabled.
Fiber Fault Alert	With Fiber Fault Alert the state of the 1000Base-X receiver is passed to the 1000Base-X transmitter. This provides fault notification to the partner device attached to the 1000Base-X interface of the media converter. If the 1000Base-X transmitter is off as a result of this fault it will be turned on periodically to allow the condition to clear should the partner device on the 1000Base-X be using a similar technique. This eliminates the possibility of lockouts that occur with some media converters. Applies only when fiber auto-negotiation is disabled.
Pause (IEEE 802.3xy)	<p>Pause signaling is an IEEE feature that temporarily suspends data transmission between two devices in the event that one of the devices becomes overwhelmed. The media converter supports pause negotiation on the 10/100/1000Base-T connection and 1000Base-X fiber connection.</p> <ul style="list-style-type: none"> • With Autoneg on the device will advertise sym and asymmetric pause • With Autoneg off – Pause receive and send will be disabled
Duplex	Full and half duplex operation supported.
Jumbo Packets	Transparent to jumbo packets up to 10KB.

VLAN	Transparent to VLAN tagged packets.
------	-------------------------------------

Remote Loopback	Capable of performing a loopback on the 1000Base-X fiber interface.
-----------------	---

Not what you are looking for? [View all Perle Media Converters.](#)
Need help? [Contact Perle.](#)

Power

Input Supply Voltage	PoE models: 46 - 57 vDC PoE+ models: 52 - 57 vDC
-----------------------------	---

Power Consumption	6 Watts
--------------------------	---------

Power Over Ethernet (PSE)	PoE models: maximum to 15.4 watts supplied per port PoE+ models: up to 30 watts supplied per port
----------------------------------	--

PoE Options	Alternative A (power on pins 1,2 and 3,6) Alternative B (power on pins 4,5 and 7,8) Legacy PoE (IE VoIP phones and wireless access points) - (reverse polarity on pins 4,5 and 7,8) Legacy large capacitor detect (pins 4,5 and 7,8)
--------------------	---

Power Connector	5.5mm x 9.5mm x 2.1mm barrel socket
------------------------	-------------------------------------

Power Adapter

Universal AC/DC adapter	100-240v AC, regulated 48vDC adapter included for PoE 100-240v AC, regulated 56vDC adapter included for PoE+
--------------------------------	---

Indicators

Power (PWR)	This green LED is turned on when power is applied to the media converter. Otherwise it is off. The LED will blink slowly when either fiber port is in Loopback test mode. The LED will blink quickly if there is a hardware failure where the reason code can be identified through a combination of FDF,LKF, FDC and PSE indicator LEDs
--------------------	--

**Fiber link on /
Receive activity
(LKF 1/2)**

This green LED is operational only when power is applied. The LED will blink along with transmit/receive data on the fiber port
If a loss of link on the copper port results in a Link Passthrough condition to the fiber port, this LED will blink at a rate of once every 2 seconds until the condition is cleared.

**Copper link on /
Receive activity
(LKC 1/2)**

This green LED is operational only when power is applied. The LED will blink along with transmit/receive data on the 10/100/1000 UTP port
If a loss of link on the copper port results in a Link Passthrough condition to the fiber port, this LED will blink at a rate of once every 2 seconds until the condition is cleared.

**Fiber Duplex
(FDF 1/2)**

This green LED is operational only when power is applied. The LED is on when the 10/100/1000Base-X link is operational in full duplex mode. The LED is off when in half duplex. If the Auto-Neg switch is turned off, this LED will always be on

**Copper Duplex
(FDC 1/2)**

This green LED is operational only when power is applied. The LED is on when the 10/100/1000Base-T link is operational in full duplex mode. The LED is off when in half duplex

100/1000

This multi-color LED is operational only when power is applied. The LED is green when the speed of the copper ethernet port is running at 1000 Mbps. The LED is yellow when the speed of the copper Ethernet port is running at 100 Mbps. The LED is off when in 10 Mbps.

PSE Status (PSE 1/2)

This LED will signify the status of the PSE function. Using multi-color and blinking the unit will show the following status for the PSE;

GREEN — Solid: The PSE has successfully detected a compliant PD and is applying power over the UTP (for legacy pin out simply show active power when applied)

YELLOW — Solid: The PSE is not active. This means the PSE has been configured to provide power, but the PD is :

- Not connected
- Has not detected a compliant PD and is not applying power
- PSE has turned off power for Reset function

OFF — PSE function switch disabled

RED — Blinking: Error Conditions

- Capacitance too High — 1 blink
- Resistance too Low or short circuit — 2 blinks
- Resistance too high or open circuit — 3 blinks

Switches - accessible through a side opening in the chassis

Auto-Negotiation (802.3u)

Enabled (Default) - The media converter uses 802.3u Auto-negotiation on the 10/100/1000Base-T interface. It is set to advertise full duplex, half duplex, pause and remote fault capabilities.

Disabled - The media converter sets the port according to the position of the speed and duplex switches.

Link Mode

Link Mode provides a transparency to the state of the copper link allowing for simplified trouble shooting from the devices connected to the media converter.

Normal (Default — Up)

With Fiber Auto Negotiation enabled when the copper link goes down the 1000Base-X link is brought down. The 1000Base-X link will advertise Remote Fault (Link Fault).

With Fiber Auto Negotiation disabled the state of the copper link has no effect on the 1000Base-X link.

Smart Link Pass Through (Down)

With Fiber Auto Negotiation enabled the behavior is as follows. When the copper link goes down the 1000Base-X link is brought down. The 1000Base-X link will advertise Remote Fault (Link Fault). When Remote Fault (Link Fault) is received on the 1000Base-X interface the copper transmitter will be turned off. When the copper receiver is off the 1000Base-X transmitter will be turned off. When the 1000Base-X receiver goes off the copper transmitter will be turned off.

With Fiber Auto-Negotiation disabled the behavior is as follows. When the copper receiver is off the 1000Base-X transmitter will be turned off. When the 1000Base-X receiver goes off the copper transmitter will be turned off.

Effect on 3 and 4 port units: pass-through conditions will be recognized when the state of both copper UTP or fiber port pairs are the same. IE only if both copper ports go down will the fiber port on a 3 port unit be forced inactive.

Fiber Fault Alert

The Fiber Fault Alert switch has meaning when Auto-Negotiation is disabled

Enabled (Default - Up)

When the 1000Base-X receiver is off the 1000Base-X transmitter is turned off. Periodically the 1000Base-X receiver will be turned on for a short period to allow the condition to clear if the 1000Base-X link partner is using a similar feature.

Disabled (Down)

Loopback (1/2)

The media converter can perform a loopback on the 1000Base-X fiber interface.

Disabled (Default - Up)

Enabled - The 1000Base-X receiver is looped to the 1000Base-X transmitter. The copper transmitter is taken off the interface.

- A loopback switch for each fiber connection
 - On dual fiber units, if one or both ports have loopback enable, all copper ports are disabled, but PoE power is maintained. The other fiber port is unaffected.
-

Speed Copper	100 (Default) 10
Duplex Copper	Full (Default) Half
Fiber Negotiation	<p><i>Up:</i> The Media Converter will negotiate Ethernet parameters on the fiber connection. This will ensure that the most optimal connection parameters will be in effect. If connecting to another Perle Media Converter, this parameter should be set to Auto. The Media Converter Module will advertise 1000Mbps, Full and Half Duplex, no Pause.</p> <p><i>Down:</i> The Media Converter Module's fiber will be fixed to 1000Mbps, Full Duplex.</p>
Auto-MDIX (Internal Strap)	<p>If Auto-Negotiation (802.3u) is enabled, the media converter determines the current cable pinout to use on the copper interface. If Auto-Negotiation (802.3u) is disabled the Media converter will use the RX Energy method on the copper interface to set the port MDI or MDIX whichever is appropriate.</p> <p>Enabled (Default) - Either a straight-through or crossover type cable can be used to connect the media converter to the device on the other end of the cable.</p> <p>Disabled - If the partner device on the other end of the cable does not have the Auto-MDIX feature a specific cable, either a straight-through or crossover will be required to ensure that the media converter's transmitter and the partner devices transmitter are connected to the others receiver. The Media converter's 100Base-TX port is configured as MDI-X with this switch setting.</p>
PSE Power	<p>Settable for each UTP port available.</p> <p>When enabled (UP), the media converter will perform a Power Sourcing Equipment (PSE) function as per IEEE802.3af or 802.3at standards (relevant model).</p> <p>Default is "enabled"</p>

PD Power Reset	<p>This is a technique to perform a power reset on a PD device(s) attached. When enabled (down), the media converter will upon loss of link on any fiber port, turn off PSE output power to the PD device(s) for 2 seconds then turn the power back on. The power remains on until any fiber link transitions from up to down again.</p> <p>With Passthrough enabled (Link Mode enabled and Fiber Auto-Negotiation enabled) , a loss of link on the fiber resulting from a loss of link on the copper, a PD Power Reset will still occur.</p> <p>When PD Power Reset disabled, loss of fiber link has no effect on PSE power to the PD device(s).</p>
Fiber Redundancy (Dual Fiber Models)	<p>When disabled (default), the ports will operate as a 3 or 4 port switch</p> <p>When enabled (Down) the media converter treats Fiber 1 as the primary. If the link fails, the fiber link is switched over to fiber 2 within 50ms.</p> <p>While the primary is active, the link on port 2 will be maintained, but the port will not pass data</p> <p>A redundancy switch-over will not occur if the fiber link was brought down as a result of link pass-through from a copper port.</p>
Redundant Primary (Dual Fiber Models)	<p>If the "Fiber Redundancy" feature is also enabled, the primary fiber 1 link is continuously monitored and if it is restored for at least 6 seconds, the link will be switched back from the secondary fiber 2 port to the primary fiber 1 port</p>
PoE Power Options (Internal Straps)	<p>Set to Alternative A (default): Pins 3,6 Neg, Pins 1,2 Pos</p> <p>Set to Alternative B: Pins 7,8 Neg, Pins 4,5 Pos</p> <p>Set to Legacy Pre-Standard: Pins 7,8 Pos, Pins 4,5 Neg</p>
Connectors	
10/100/1000Base-T	<p>1 or 2 RJ45 connectors.</p> <p>2 pair CAT5, EIA/TIA 568A/B or better cable for 10/100.</p> <p>4 pair CAT5 UTP cable for Gigabit.</p>
Magnetic Isolation	<p>1.5kv</p>

Fixed Fiber	Available on single fiber port models with 1 or 2 copper UTP ports Dual multimode or single mode (Duplex) fiber - SC, ST Single strand fiber (Simplex) - SC LC - obtained by inserting an SFP (LC) in an SFP slot model
Small Form Factor Pluggable (SFP) slot	SFP slot models: Empty slot for 1000Base-X or 100Base-X SFP modules supplied by Perle, Cisco or other manufacturers of MSA compliant SFPs. Hot insertion and removable (hot swappable).
Filtering	
Filtering	1024 MAC Addresses
Frame Specifications	
Buffer	1000 Kbits frame buffer memory
Size	Maximum frame size of 10,240 bytes -- Gigabit Maximum frame size of 2048 bytes -- Fast Ethernet
Environmental Specifications	
Operating Temperature	0 C to 50 C (32 F to 122 F)
Storage Temperature	minimum range of -25 C to 70 C (-13 F to 158 F)
Operating Humidity	5% to 90% non-condensing
Storage Humidity	5% to 95% non-condensing
Operating Altitude	Up to 3,048 meters (10,000 feet)
Heat Output (BTU/HR)	20.5

MTBF (Hours)

Calculation model
based on MIL-HDBK-
217-FN2 @ 30 °C

Model Type	No Power Adaptor	PoE	PoE+
1 UTP, fixed fiber	361,190	206,434	78,317
1 UTP, 1 SFP	410,188	221,560	80,399
1 UTP, 2 SFP	399,432	218,384	79,977
2 UTP, fixed fiber	292,529	182,017	74,524
2 UTP, 1 SFP	323,861	193,675	76,407
2 UTP, 2 SFP	317,119	191,244	76,026

Chassis	Metal with an IP20 ingress protection rating
----------------	--

Mounting

Din Rail Kit	Optional
---------------------	----------

Rack Mount Kit	Optional
-----------------------	----------

Product Weight and Dimensions

Weight	0.45 Kg, 1.0 lbs (no power adaptor)
---------------	-------------------------------------

Dimensions	150 x 95 x 26 mm, 5.9 x 3.7 x 1.0 inches
-------------------	--

Packaging

Shipping Weight	PoE models: 1.1 Kg, 2.4 lbs PoE+ models: 1.4 Kg, 3.1 lbs
------------------------	---

Shipping Dimensions	300 x 200 x 70 mm, 11.8 x 7.9 x 2.8 inches
----------------------------	--

Regulatory Approvals

	FCC Part 15 Class A, EN55022 Class A
--	--------------------------------------

	CISPR 22 Class A CISPR 32:2015/EN 55032:2015 (Class A) CISPR 24:2010/EN 55024:2010
--	--

Emissions	EN61000-3-2
------------------	-------------

Immunity	EN55024
-----------------	---------

Electrical Safety	UL/EN/IEC 62368-1 CAN/CSA C22.2 No. 62368-1
--------------------------	--

UL 60950-1
IEC 60950-1(ed 2); am1, am2
EN 60950-1:2006+A11:2009+A1:2010+A12:2011+A2:2013

CE

Environmental Reach, RoHS and WEEE Compliant

ECCN: 5A991

HTSUS Number: 8517.62.0020

Other Perle Limited Lifetime Warranty

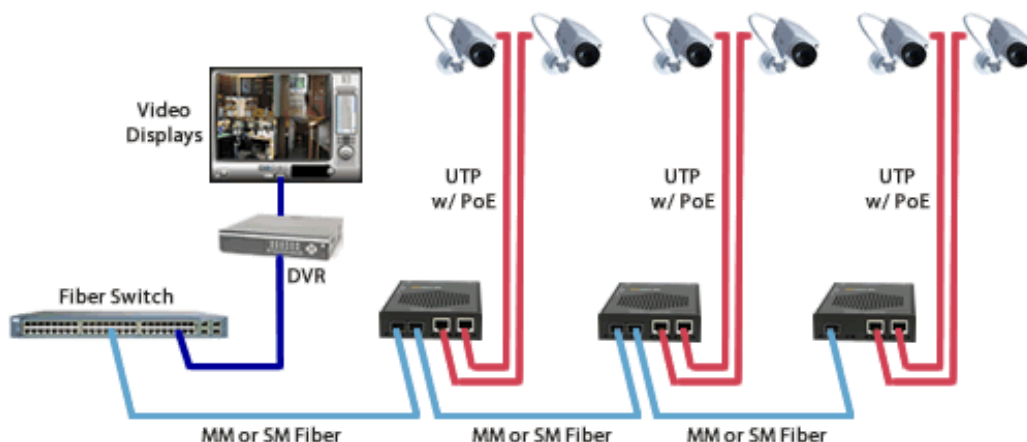
Gigabit Fiber to IP Cameras

Connect 10/100/1000 IP Cameras to Gigabit Backbone

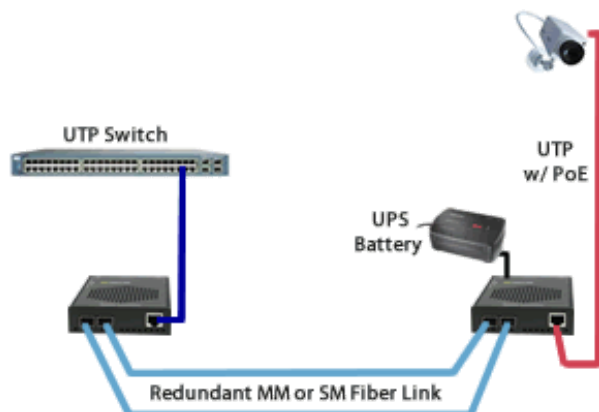
Extend the reach to IP cameras using fiber media converters. Security cameras are typically installed in remote locations throughout a facility. For cameras that are in the ceiling or other inaccessible areas like rooftops, light poles, along fences, pipelines and transit routes, the cost of bringing electrical power to each camera is eliminated by powering the equipment through the UTP cable using a PoE media converter. For cameras with Pan-Tilt-Zoom (PTZ) that may require higher power, PoE+ models that can supply up to 30 watts of power are also available. PoE+ may also be required for cameras used in cold environments that feature de-icers and blowers.

Fiber is run from an existing data closet to an area with access to power. A PoE Media Converter can be powered by either 48vDC or standard 100 to 240 AC power. The media converter is attached to the power supply and the fiber cable. Copper (UTP or STP cable) Ethernet can be extended another 100 meters to the IP camera. The PoE Media Converter is converting the data from fiber to copper, adding power and transmitting it to the security camera.

To simplify cabling, multiport PoE media converters enable chaining, with a fiber uplink port and a fiber downlink port, of the fiber between media converters (also known as a bus architecture).



A second option is to have redundant fiber links for installations requiring fiber facility protection. There is an active fiber port and a protection fiber port that can support a fiber failure switchover of less than 50 milliseconds. The PoE+ media converter supplies power to the camera, and has power protection from an Uninterruptible Power Supply (UPS) battery back-up. In the event of a fiber cut and a loss of power, the camera continues to send data on the protection link.



Gigabit Fiber to Wireless Access Points

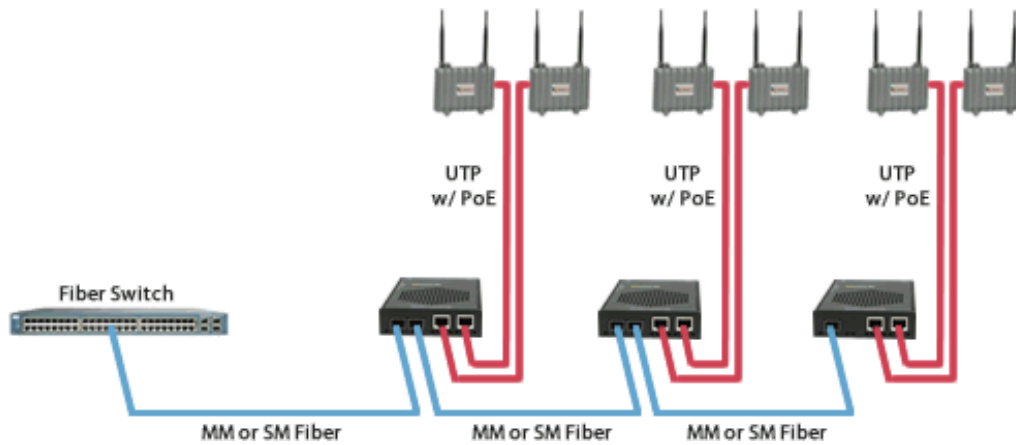
Connect 10/100/1000 Wireless Access Points to Gigabit Backbone

Extend the reach to wireless access points (AP) using fiber media converters. When a company deploys a wireless network in their office or large warehouse, APs need to be set up throughout the facility to ensure complete coverage for reliability. The network manager will likely need to extend further than the 100 meters allowed by copper cable to reach many of the APs.

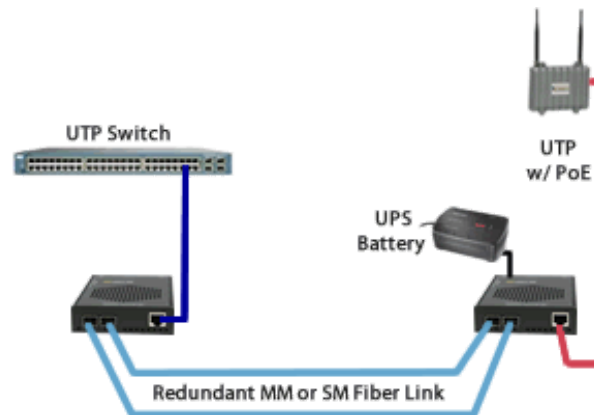
For APs that are in the ceiling or other inaccessible areas, PoE media converters can also provide standard PoE power including pre-standard power for those access points that were deployed prior to ratification IEEE 802.3af. For wireless access points as those containing dual radios requiring more than 15.4 watts of power, PoE+ models delivering up to 30 watts are also available.

Fiber is run from an existing data closet to an area with access to power. A PoE Media Converter can be powered by either 48vDC or standard 100 to 240 AC power. The media converter is attached to the power supply and the fiber cable. Copper (UTP or STP cable) Ethernet can be extended another 100 meters to the Wireless Access Point. The PoE Media Converter is converting the data from fiber to copper, adding power and transmitting it to the AP.

To simplify cabling, multiport PoE media converters enable chaining, with a fiber uplink port and a fiber downlink port, of the fiber between media converters (also known as a bus architecture).



A second option is to have redundant fiber links for installations requiring fiber facility protection. There is an active fiber port and a protection fiber port that can support a fiber failure switchover of less than 50 milliseconds. The PoE+ media converter supplies power to the camera, and has power protection from an Uninterruptible Power Supply (UPS) battery back-up. In the event of a fiber cut and a loss of power, the camera continues to send data on the protection link.



Gigabit Fiber to the Desktop / VoIP (Voice over IP) Phones

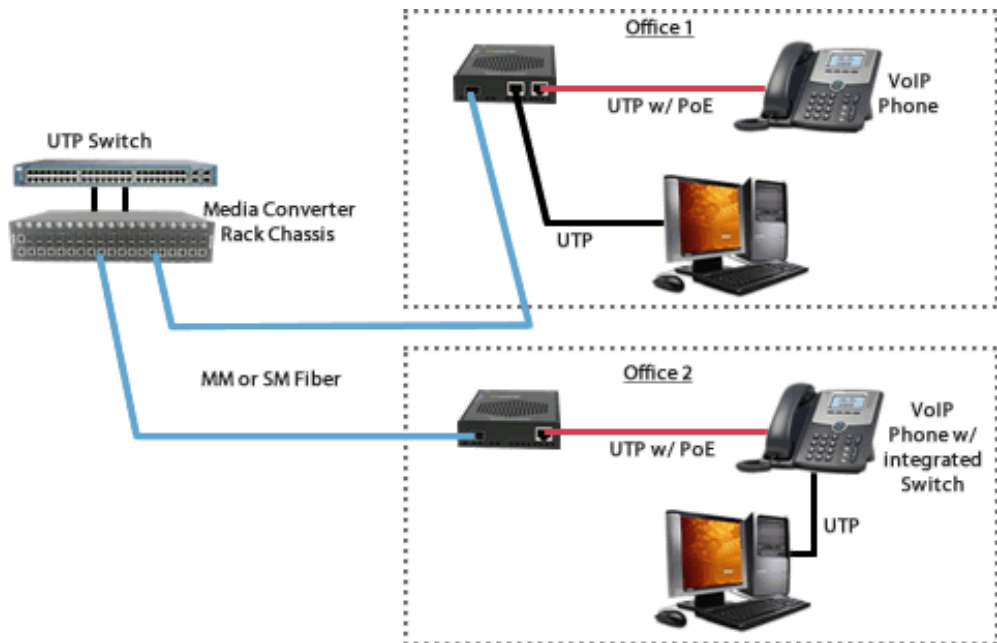
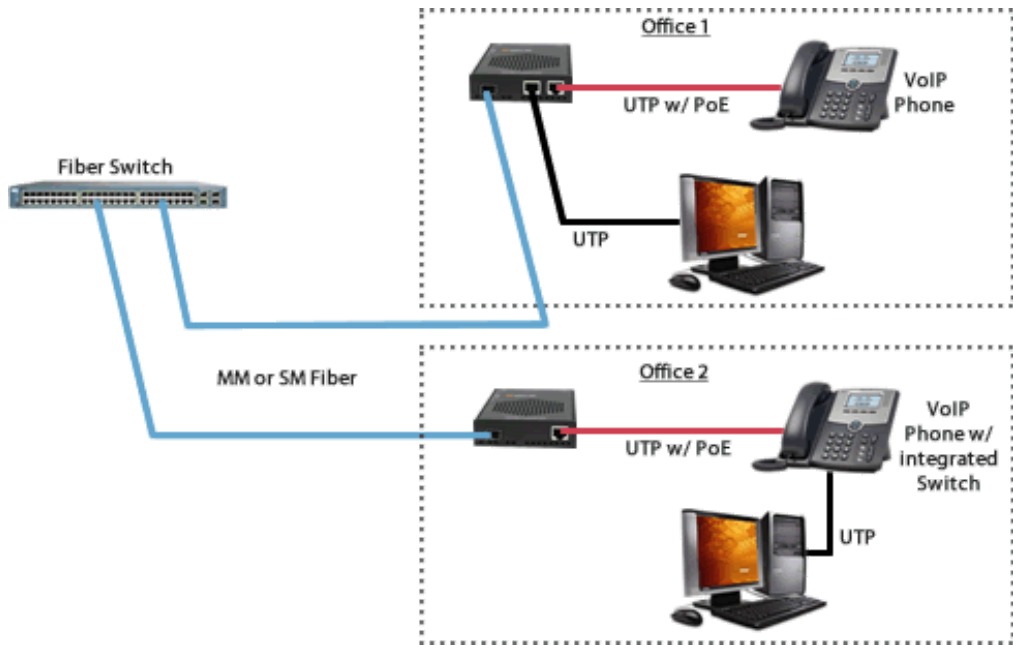
Connect 10/100/1000 workstations and VoIP Phones to a Gigabit Backbone

Extend the reach to your workstation and VoIP phones using fiber media converters. PoE media converters can also provide standard PoE power including pre-standard power for those VoIP phones that were deployed prior to ratification of the IEEE 802.3af standard.

For VoIP phones such as those containing dual radios requiring more than 15.4 watts of power, PoE+ models delivering up to 30 watts are also available.

Fiber is run from an existing data closet to an area with access to power. A PoE Media Converter can be powered by either 48vDC or standard 100 to 240 AC power. The media converter is attached to the power supply and the fiber cable. Copper (UTP or STP cable) Ethernet can be extended another 100

meters to the VoIP phone. The PoE Media Converter is converting the data from fiber to copper, adding power and transmitting it to the VoIP phone.



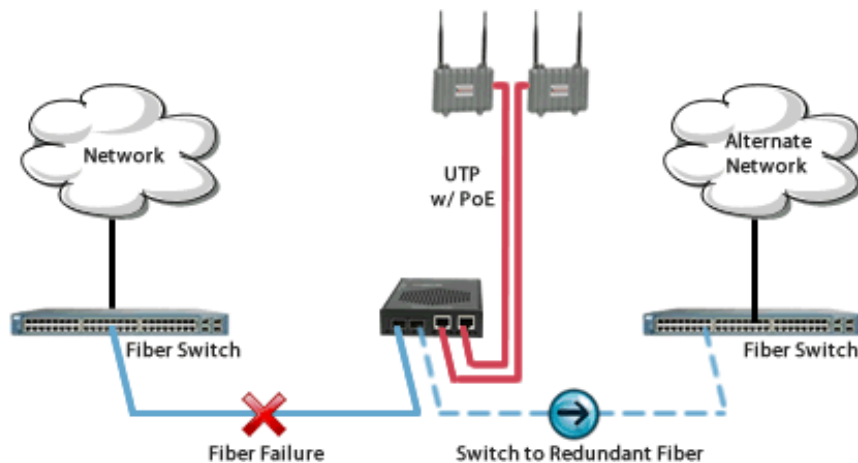
Redundant Dual-Fiber Uplink

Assured Fiber Uplink Connectivity for your critical equipment

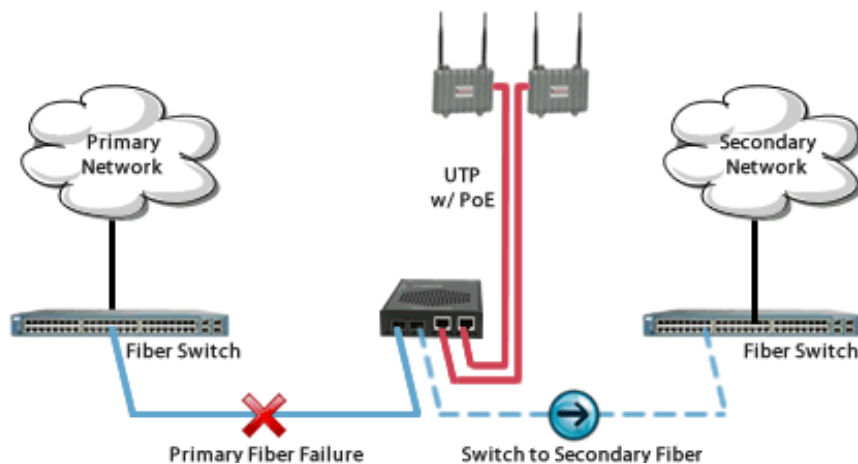
When extending the reach of your critical Ethernet equipment using fiber media converters, a dual fiber port media converter with Fiber Redundancy capability provides a fast switch-over of link traffic from one fiber connection to the other converters.

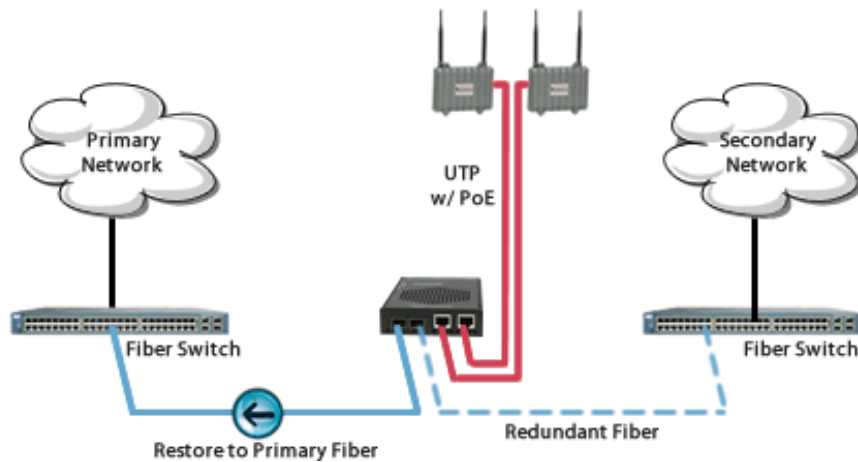
Two modes of operation are possible.;

1. **Redundant Fiber** : When the primary link fails, the media converter redirects traffic to the other fiber port within 50ms.



2. **Redundant Primary** : When the primary link fails, the media converter redirects traffic to the secondary fiber port within 50ms. Upon restoration of the primary fiber link, traffic is automatically redirected back to the primary fiber.

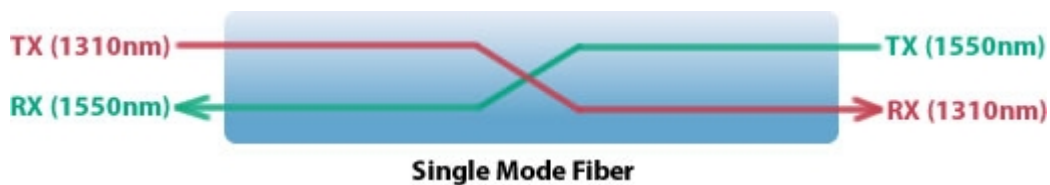




Single Mode / Single Fiber

Connect copper ports over a single fiber strand (also referred to as “Bi-Directional” BiDi)

When Single Strand fiber is used, a pair of Single Fiber Media Converters is needed for the copper to fiber conversion. Perle Single Fiber Media Converters are also referred to as “Up/Down” models. For example the S-1110P-S1SC10U (“Up”) and S-1110P-S1SC10D (“Down”), shown below, must be used in pairs. An “Up” must be matched with a “Down” peer to deal with transmit and receive frequencies separately.



S-1110-S1SC10US-1110-S1SC10D

The majority of installations for single mode fiber media converters are of the “dual connector” or “dual fiber” type where one fiber connection is used for transmit, the other for receive. These are physically “crossed” to match up the Transmit/Receive links.

However, to reduce costs, or where there are limits on available fiber, WDM technology may be utilized. WDM uses separate transmit and receive frequencies to communicate on a single fiber strand. WDM technology relies on the fact that optical fibers can carry many wavelengths of light simultaneously without interaction between each wavelength. Thus, a single fiber can carry many separate wavelength signals or channels simultaneously.

So remember, if Single Strand fiber is used, you will need an “**Up**” Media Converter on one side and a “**Down**” Media Converter on the other for copper to fiber conversion.

Select a Model to obtain a Part Number - 10/100/1000 PoE

Model	# PoE ports	Fiber Port Connector	Type	Transmit (dBm)		Receive (dBm)		Power Budget (dBm)	Wavelength (nm)	Fiber Type	Core Size (um)	Modal Bandwidth (MHz*km)	Operating Distance
				Min	Max	Min	Max						
S-1110P-SFP	1	1 x SFP / LC	1000Base-X /100Base-X	-	-	-	-	-	-	MMF /SMF	-	-	-
S-1110P-DSFP	1	2 x SFP / LC	1000Base-X /100Base-X	-	-	-	-	-	-	MMF /SMF	-	-	-
S-1110P-M2SC05	1	Dual SC	1000Base-SX	-9.5	-4.0	-17	-3.0	7.5	850	MMF	62.5	160	220 m (722 ft)
											62.5	200	275 m (902 ft)
											50	400	500 m (1,640 ft)
											50	500	550 m (1,804 ft)
											50	2000	1000 m (3281 ft)
S-1110P-M2ST05	1	Dual ST	1000Base-SX	-9.5	-4.0	-17	-3.0	7.5	850	MMF	62.5	160	220 m (722 ft)
											62.5	200	275 m (902 ft)
											50	400	500 m (1,640 ft)
											50	500	550 m (1,804 ft)
											50	2000	1000 m (3281 ft)
S-1110P-M2SC2	1	Dual SC	1000Base-LX	-6.0	0.0	0.0	-17.0	6.0	1310	MMF	62.5	160	2 km (1.2 mi)
											50	500	1000m (3280 ft)
S-1110P-M2ST2	1	Dual ST	1000Base-LX	-6.0	0.0	0.0	-17.0	6.0	1310	MMF	62.5	160	2 km (1.2 mi)
											50	500	1000m (3280 ft)
S-1110P-S2SC10	1	Dual SC	1000Base-LX/LH	-9.5	-3.0	-20	-3.0	10.5	1310	MMF*	62.5	500	550 m (1,804 ft)
											50	400	550 m (1,804 ft)
											50	400	550 m (1,804 ft)
										SMF	**	-	10 km (6.2 mi)
S-1110P-S2ST10	1	Dual ST	1000Base-LX/LH	-9.5	-3.0	-20	-3.0	10.5	1310	MMF*	62.5	500	550 m (1,804 ft)
											50	400	550 m (1,804 ft)
											50	400	550 m (1,804 ft)

											SMF	**	-	10 km (6.2 mi)
S-1110P-S2SC40	1	Dual SC	1000Base-EX	-2.0	2.0	-23	-3.0	21	1310		SMF	**	-	40 km (25 mi)
S-1110P-S2ST40	1	Dual ST	1000Base-EX	-2.0	2.0	-23	-3.0	21	1310		SMF	**	-	40 km (25 mi)
S-1110P-S2SC70	1	Dual SC	1000Base-ZX	-2.0	5.0	-23	-3.0	21	1550		SMF	-	-	70 km (43 mi)
S-1110P-S2ST70	1	Dual ST	1000Base-ZX	-2.0	5.0	-23	-3.0	21	1550		SMF	-	-	70 km (43 mi)
S-1110P-S2SC120	1	Dual SC	1000Base-ZX	0.0	5.0	-32.0	-9.0	32	1550		SMF	-	-	120 km (75 mi)
S-1110P-S2ST120	1	Dual ST	1000Base-ZX	0.0	5.0	-32.0	-9.0	32	1550		SMF	-	-	120 km (75 mi)
S-1110P-S2SC160	1	Dual SC	1000Base-ZX	2.0	5.0	-32.0	-9.0	34	1550		SMF	-	-	160 km (100 mi)
S-1110P-S2ST160	1	Dual ST	1000Base-ZX	2.0	5.0	-32.0	-9.0	34	1550		SMF	-	-	160 km (100 mi)
S-1110DP-SFP	2	1 x SFP / LC	1000Base-X /100Base-X	-	-	-	-	-	-		MMF /SMF	-	-	-
S-1110DP-DSFP	2	2 x SFP / LC	1000Base-X /100Base-X	-	-	-	-	-	-		MMF /SMF	-	-	-
S-1110DP-M2SC05	2	Dual SC	1000Base-SX	-9.5	-4.0	-17	-3.0	7.5	850		MMF	62.5	160	220 m (722 ft)
												62.5	200	275 m (902 ft)
												50	400	500 m (1,640 ft)
												50	500	550 m (1,804 ft)
												50	2000	1000 m (3281 ft)
S-1110DP-M2ST05	2	Dual ST	1000Base-SX	-9.5	-4.0	-17	-3.0	7.5	850		MMF	62.5	160	220 m (722 ft)
												62.5	200	275 m (902 ft)
												50	400	500 m (1,640 ft)
												50	500	550 m (1,804 ft)
												50	2000	1000 m (3281 ft)
S-1110DP-M2SC2	1	Dual SC	1000Base-LX	-6.0	0.0	0.0	-17.0	6.0	1310		MMF	62.5	160	2 km (1.2 mi)
												50	500	1000m (3280 ft)
S-1110DP-M2ST2	1	Dual ST	1000Base-LX	-6.0	0.0	0.0	-17.0	6.0	1310		MMF	62.5	160	2 km (1.2 mi)
												50	500	1000m (3280 ft)

S-1110DP-S2SC10	2	Dual SC	1000Base-LX/LH	-9.5	-3.0	-20	-3.0	10.5	1310	MMF*	62.5	500	550 m (1,804 ft)
											50	400	550 m (1,804 ft)
											50	400	550 m (1,804 ft)
											SMF	**	-
S-1110DP-S2ST10	2	Dual ST	1000Base-LX/LH	-9.5	-3.0	-20	-3.0	10.5	1310	MMF*	62.5	500	550 m (1,804 ft)
											50	400	550 m (1,804 ft)
											50	400	550 m (1,804 ft)
											SMF	**	-
S-1110DP-S2SC40	2	Dual SC	1000Base-EX	-2.0	2.0	-23	-3.0	21	1310	SMF	**	-	40 km (25 mi)
S-1110DP-S2ST40	2	Dual ST	1000Base-EX	-2.0	2.0	-23	-3.0	21	1310	SMF	**	-	40 km (25 mi)
S-1110DP-S2SC70	2	Dual SC	1000Base-ZX	-2.0	5.0	-23	-3.0	21	1550	SMF	-	-	70 km (43 mi)
S-1110DP-S2ST70	2	Dual ST	1000Base-ZX	-2.0	5.0	-23	-3.0	21	1550	SMF	-	-	70 km (43 mi)
S-1110DP-S2SC120	2	Dual SC	1000Base-ZX	0.0	5.0	-32	-9.0	32	1550	SMF	-	-	120 km (75 mi)
S-1110DP-S2ST120	2	Dual ST	1000Base-ZX	0.0	5.0	-32	-9.0	32	1550	SMF	-	-	120 km (75 mi)
S-1110DP-S2SC160	2	Dual SC	1000Base-ZX	2.0	5.0	-32	-9.0	34	1550	SMF	-	-	160 km (100 mi)
S-1110DP-S2ST160	2	Dual ST	1000Base-ZX	2.0	5.0	-32	-9.0	34	1550	SMF	-	-	160 km (100 mi)

Single Fiber Models Recommended use in pairs

Model	# PoE ports	Connector	Type	Transmit (dBm)		Receive (dBm)		Power Budget (dBm)	Wavelength (nm)	Fiber Type	Core Size (um)	Modal Bandwidth (MHz* Km)	Operating Distance
				Min	Max	Min	Max						
S-1110P-M1SC05U	1	Single SC	1000Base-BX-U	-10.0	-4.0	-17.0	-3.0	7.0	1310 / 1550	MMF	62.5	500	500 m (1,640 ft)
											50	500	500 m (1,640 ft)
S-1110P-M1SC05D	1	Single SC	1000Base-BX-D	-10.0	-4.0	-17.0	-3.0	7.0	1550 / 1310	MMF	62.5	500	500 m (1,640 ft)
											50	500	500 m (1,640 ft)
S-1110P-S1SC10U	1	Single SC	1000Base-BX-U	-9.0	-3.0	-20	-3.0	11	1310 / 1490	SMF	**	-	10 km (6.2 mi)
S-1110P-S1SC10D	1	Single SC	1000Base-BX-D	-9.0	-3.0	-20	-3.0	11	1490 / 1310	SMF	**	-	10 km (6.2 mi)

S-1110P-S1SC20U	1	Single SC	1000Base-BX-U	-8.0	-3.0	-22	-3.0	14	1310 / 1490	SMF	**	-	20 km (12.4 mi)
S-1110P-S1SC20D	1	Single SC	1000Base-BX-D	-8.0	-3.0	-22	-3.0	14	1490 / 1310	SMF	**	-	20 km (12.4 mi)
S-1110P-S1SC40U	1	Single SC	1000Base-BX-U	-3.0	2.0	-23	-3.0	20	1310 / 1490	SMF	**	-	40 km (25 mi)
S-1110P-S1SC40D	1	Single SC	1000Base-BX-D	-3.0	2.0	-23	-3.0	20	1490 / 1310	SMF	**	-	40 km (25 mi)
S-1110P-S1SC80U	1	Single SC	1000Base-BX-U	-2.0	3.0	-26	-3.0	24	1510 / 1590	SMF	-	-	80 km (50 mi)
S-1110P-S1SC80D	1	Single SC	1000Base-BX-D	-2.0	3.0	-26	-3.0	24	1590 / 1510	SMF	-	-	80 km (50 mi)
S-1110P-S1SC120U	1	Single SC	1000Base-BX-U	-3.0	2.0	-34	-9.0	31	1510 / 1590	SMF	-	-	120 km (75 mi)
S-1110P-S1SC120D	1	Single SC	1000Base-BX-D	-3.0	2.0	-34	-9.0	31	1590 / 1510	SMF	-	-	120 km (75 mi)
S-1110DP-M1SC05U	2	Single SC	1000Base-BX-U	-10.0	-4.0	-17.0	-3.0	7.0	1310 / 1550	MMF	62.5	500	500 m (1,640 ft)
											50	500	500 m (1,640 ft)
S-1110DP-M1SC05D	2	Single SC	1000Base-BX-D	-10.0	-4.0	-17.0	-3.0	7.0	1550 / 1310	MMF	62.5	500	500 m (1,640 ft)
											50	500	500 m (1,640 ft)
S-1110DP-S1SC10U	2	Single SC	1000Base-BX-U	-9.0	-3.0	-20	-3.0	11	1310 / 1490	SMF	**	-	10 km (6.2 mi)
S-1110DP-S1SC10D	2	Single SC	1000Base-BX-D	-9.0	-3.0	-20	-3.0	11	1490 / 1310	SMF	**	-	10 km (6.2 mi)
S-1110DP-S1SC20U	2	Single SC	1000Base-BX-U	-8.0	-3.0	-22	-3.0	14	1310 / 1490	SMF	**	-	20 km (12.4 mi)
S-1110DP-S1SC20D	2	Single SC	1000Base-BX-D	-8.0	-3.0	-22	-3.0	14	1490 / 1310	SMF	**	-	20 km (12.4 mi)
S-1110DP-S1SC40U	2	Single SC	1000Base-BX-U	-3.0	2.0	-23	-3.0	20	1310 / 1490	SMF	**	-	40 km (25 mi)
S-1110DP-S1SC40D	2	Single SC	1000Base-BX-D	-3.0	2.0	-23	-3.0	20	1490 / 1310	SMF	**	-	40 km (25 mi)
S-1110DP-S1SC80U	2	Single SC	1000Base-BX-U	-2.0	3.0	-26	-3.0	24	1510 / 1590	SMF	-	-	80 km (50 mi)
S-1110DP-S1SC80D	2	Single SC	1000Base-BX-D	-2.0	3.0	-26	-3.0	24	1590 / 1510	SMF	-	-	80 km (50 mi)
S-1110DP-S1SC120U	2	Single SC	1000Base-BX-U	-3.0	2.0	-34	-9.0	31	1510 / 1590	SMF	-	-	120 km (75 mi)
S-1110DP-S1SC120D	2	Single SC	1000Base-BX-D	-3.0	2.0	-34	-9.0	31	1590 / 1510	SMF	-	-	120 km (75 mi)

The minimum fiber cable distance for all converters listed is 2 meters.

*A mode-conditioning adapter as specified by the IEEE standard, is required regardless of the span length. Note how the mode conditioning adapter for 62.5-um fibers has a different specification from the mode-conditioning adapter for 50-um fibers.

**ITU-T G.652 SMF as specified by the IEEE 802.3z standard.

Media Converter Accessories

4 DIN Rail Mount Bkt DIN Rail Mounting Kit

MCSM Standalone media converter wall mount bracket

Select a Model to obtain a Part Number - 10/100/1000 PoE+

Model	# PoE ports	Fiber Port Connector	Type	Transmit (dBm)		Receive (dBm)		Power Budget (dBm)	Wavelength (nm)	Fiber Type	Core Size (um)	Modal Bandwidth (MHz*Km)	Operating Distance
				Min	Max	Min	Max						
S-1110PP-SFP	1	1 x SFP/LC	1000Base-X /100Base-X	-	-	-	-	-	-	MMF /SMF	-	-	-
S-1110PP-DSFP	1	2 x SFP/LC	1000Base-X /100Base-X	-	-	-	-	-	-	MMF /SMF	-	-	-
S-1110PP-M2SC05	1	Dual SC	1000Base-SX	-9.5	-4.0	-17	-3.0	7.5	850	MMF	62.5	160	220 m (722 ft)
											62.5	200	275 m (902 ft)
											50	400	500 m (1,640 ft)
											50	500	550 m (1,804 ft)
											50	2000	1000 m (3281 ft)
S-1110PP-M2ST05	1	Dual ST	1000Base-SX	-9.5	-4.0	-17	-3.0	7.5	850	MMF	62.5	160	220 m (722 ft)
											62.5	200	275 m (902 ft)
											50	400	500 m (1,640 ft)
											50	500	550 m (1,804 ft)
											50	2000	1000 m (3281 ft)
S-1110PP-M2SC2	1	Dual SC	1000Base-LX	-6.0	0.0	0.0	-17.0	6.0	1310	MMF	62.5	160	2 km (1.2 mi)
											50	500	1000m (3280 ft)
S-1110PP-M2ST2	1	Dual ST	1000Base-LX	-6.0	0.0	0.0	-17.0	6.0	1310	MMF	62.5	160	2 km (1.2 mi)
											50	500	1000m (3280 ft)
S-1110PP-S2SC10	1	Dual SC	1000Base-LX/LH	-9.5	-3.0	-20	-3.0	10.5	1310	MMF*	62.5	500	1000 m (3281 ft)
											50	400	550 m (1,804 ft)

												50	400	550 m (1,804 ft)
											SMF	**	-	10 km (6.2 mi)
S-1110PP-S2ST10	1	Dual ST	1000Base-LX/LH	-9.5	-3.0	-20	-3.0	10.5	1310	MMF*	62.5	500	550 m (1,804 ft)	
												50	400	550 m (1,804 ft)
												50	400	550 m (1,804 ft)
											SMF	**	-	10 km (6.2 mi)
S-1110PP-S2SC40	1	Dual SC	1000Base-EX	-2.0	2.0	-23	-3.0	21	1310	SMF	**	-	40 km (25 mi)	
S-1110PP-S2ST40	1	Dual ST	1000Base-EX	-2.0	2.0	-23	-3.0	21	1310	SMF	**	-	40 km (25 mi)	
S-1110PP-S2SC70	1	Dual SC	1000Base-ZX	-2.0	5.0	-23	-3.0	21	1550	SMF	-	-	70 km (43 mi)	
S-1110PP-S2ST70	1	Dual ST	1000Base-ZX	-2.0	5.0	-23	-3.0	21	1550	SMF	-	-	70 km (43 mi)	
S-1110PP-S2SC120	1	Dual SC	1000Base-ZX	0.0	5.0	-32.0	-9.0	32	1550	SMF	-	-	120 km (75 mi)	
S-1110PP-S2ST120	1	Dual ST	1000Base-ZX	0.0	5.0	-32.0	-9.0	32	1550	SMF	-	-	120 km (75 mi)	
S-1110PP-S2SC160	1	Dual SC	1000Base-ZX	2.0	5.0	-32.0	-9.0	34	1550	SMF	-	-	160 km (100 mi)	
S-1110PP-S2ST160	1	Dual ST	1000Base-ZX	2.0	5.0	-32.0	-9.0	34	1550	SMF	-	-	160 km (100 mi)	
S-1110DPP-SFP	2	1 x SFP/LC	1000Base-X /100Base-X	-	-	-	-	-	-	MMF /SMF	-	-	-	
S-1110DPP-DSFP	2	2 x SFP/LC	1000Base-X /100Base-X	-	-	-	-	-	-	MMF /SMF	-	-	-	
S-1110DPP-M2SC05	2	Dual SC	1000Base-SX	-9.5	-4.0	-17	-3.0	7.5	850	MMF	62.5	160	220 m (722 ft)	
												62.5	200	275 m (902 ft)
												50	400	500 m (1,640 ft)
												50	500	550 m (1,804 ft)
												50	2000	1000 m (3281 ft)
S-1110DPP-M2ST05	2	Dual ST	1000Base-SX	-9.5	-4.0	-17	-3.0	7.5	850	MMF	62.5	160	220 m (722 ft)	
												62.5	200	275 m (902 ft)
												50	400	500 m (1,640 ft)
												50	500	550 m (1,804 ft)

												50	2000	1000 m (3281 ft)
S-1110DPP-M2SC2	2	Dual SC	1000Base-LX	-6.0	0.0	0.0	-17.0	6.0	1310	MMF	62.5	160	2 km (1.2 mi)	
												50	500	1000m (3280 ft)
S-1110DPP-M2ST2	2	Dual ST	1000Base-LX	-6.0	0.0	0.0	-17.0	6.0	1310	MMF	62.5	160	2 km (1.2 mi)	
												50	500	1000m (3280 ft)
S-1110DPP-S2SC10	2	Dual SC	1000Base-LX/LH	-9.5	-3.0	-20	-3.0	10.5	1310	MMF*	62.5	500	550 m (1,804 ft)	
												50	400	550 m (1,804 ft)
												50	400	550 m (1,804 ft)
										SMF	**	-	10 km (6.2 mi)	
S-1110DPP-S2ST10	2	Dual ST	1000Base-LX/LH	-9.5	-3.0	-20	-3.0	10.5	1310	MMF*	62.5	500	550 m (1,804 ft)	
												50	400	550 m (1,804 ft)
												50	400	550 m (1,804 ft)
										SMF	**	-	10 km (6.2 mi)	
S-1110DPP-S2SC40	2	Dual SC	1000Base-EX	-2.0	2.0	-23	-3.0	21	1310	SMF	**	-	40 km (25 mi)	
S-1110DPP-S2ST40	2	Dual ST	1000Base-EX	-2.0	2.0	-23	-3.0	21	1310	SMF	**	-	40 km (25 mi)	
S-1110DPP-S2SC70	2	Dual SC	1000Base-ZX	-2.0	5.0	-23	-3.0	21	1550	SMF	-	-	70 km (43 mi)	
S-1110DPP-S2ST70	2	Dual ST	1000Base-ZX	-2.0	5.0	-23	-3.0	21	1550	SMF	-	-	70 km (43 mi)	
S-1110DPP-S2SC120	2	Dual SC	1000Base-ZX	0.0	5.0	-32	-9.0	32	1550	SMF	-	-	120 km (75 mi)	
S-1110DPP-S2ST120	2	Dual ST	1000Base-ZX	0.0	5.0	-32	-9.0	32	1550	SMF	-	-	120 km (75 mi)	
S-1110DPP-S2SC160	2	Dual SC	1000Base-ZX	2.0	5.0	-32	-9.0	34	1550	SMF	-	-	160 km (100 mi)	
S-1110DPP-S2ST160	2	Dual ST	1000Base-ZX	2.0	5.0	-32	-9.0	34	1550	SMF	-	-	160 km (100 mi)	

Single Fiber Models Recommended use in pairs

Model	# PoE ports	Connector	Type	Transmit (dBm)		Receive (dBm)		Power Budget (dBm)	Wavelength (nm)	Fiber Type	Core Size (um)	Modal Bandwidth (MHz* Km)	Operating Distance
				Min	Max	Min	Max						
S-1110PP-M1SC05U	1	Single SC	1000Base-BX-U	-10.0	-4.0	-17.0	-3.0	7.0	1310 / 1550	MMF	62.5	500	500 m (1,640 ft)

												50	500	500 m (1,640 ft)
S-1110PP-M1SC05D	1	Single SC	1000Base-BX-D	-10.0	-4.0	-17.0	-3.0	7.0	1550 / 1310	MMF	62.5	500	500 m (1,640 ft)	
												50	500	500 m (1,640 ft)
S-1110PP-S1SC10U	1	Single SC	1000Base-BX-U	-9.0	-3.0	-20	-3.0	11	1310 / 1490	SMF	**	-	10 km (6.2 mi)	
S-1110PP-S1SC10D	1	Single SC	1000Base-BX-D	-9.0	-3.0	-20	-3.0	11	1490 / 1310	SMF	**	-	10 km (6.2 mi)	
S-1110PP-S1SC20U	1	Single SC	1000Base-BX-U	-8.0	-3.0	-22	-3.0	14	1310 / 1490	SMF	**	-	20 km (12.4 mi)	
S-1110PP-S1SC20D	1	Single SC	1000Base-BX-D	-8.0	-3.0	-22	-3.0	14	1490 / 1310	SMF	**	-	20 km (12.4 mi)	
S-1110PP-S1SC40U	1	Single SC	1000Base-BX-U	-3.0	2.0	-23	-3.0	20	1310 / 1490	SMF	**	-	40 km (25 mi)	
S-1110PP-S1SC40D	1	Single SC	1000Base-BX-D	-3.0	2.0	-23	-3.0	20	1490 / 1310	SMF	**	-	40 km (25 mi)	
S-1110PP-S1SC80U	1	Single SC	1000Base-BX-U	-2.0	3.0	-26	-3.0	24	1510 / 1590	SMF	-	-	80 km (50 mi)	
S-1110PP-S1SC80D	1	Single SC	1000Base-BX-D	-2.0	3.0	-26	-3.0	24	1590 / 1510	SMF	-	-	80 km (50 mi)	
S-1110PP-S1SC120U	1	Single SC	1000Base-BX-U	-3.0	2.0	-34	-9.0	31	1510 / 1590	SMF	-	-	120 km (75 mi)	
S-1110PP-S1SC120D	1	Single SC	1000Base-BX-D	-3.0	2.0	-34	-9.0	31	1590 / 1510	SMF	-	-	120 km (75 mi)	
S-1110DPP-M1SC05U	2	Single SC	1000Base-BX-U	-10.0	-4.0	-17.0	-3.0	7.0	1310 / 1550	MMF	62.5	500	500 m (1,640 ft)	
												50	500	500 m (1,640 ft)
S-1110DPP-M1SC05D	2	Single SC	1000Base-BX-D	-10.0	-4.0	-17.0	-3.0	7.0	1550 / 1310	MMF	62.5	500	500 m (1,640 ft)	
												50	500	500 m (1,640 ft)
S-1110DPP-S1SC10U	2	Single SC	1000Base-BX-U	-9.0	-3.0	-20	-3.0	11	1310 / 1490	SMF	**	-	10 km (6.2 mi)	
S-1110DPP-S1SC10D	2	Single SC	1000Base-BX-D	-9.0	-3.0	-20	-3.0	11	1490 / 1310	SMF	**	-	10 km (6.2 mi)	
S-1110DPP-S1SC20U	2	Single SC	1000Base-BX-U	-8.0	-3.0	-22	-3.0	14	1310 / 1490	SMF	**	-	20 km (12.4 mi)	
S-1110DPP-S1SC20D	2	Single SC	1000Base-BX-D	-8.0	-3.0	-22	-3.0	14	1490 / 1310	SMF	**	-	20 km (12.4 mi)	
S-1110DPP-S1SC40U	2	Single SC	1000Base-BX-U	-3.0	2.0	-23	-3.0	20	1310 / 1490	SMF	**	-	40 km (25 mi)	
S-1110DPP-S1SC40D	2	Single SC	1000Base-BX-D	-3.0	2.0	-23	-3.0	20	1490 / 1310	SMF	**	-	40 km (25 mi)	
S-1110DPP-S1SC80U	2	Single SC	1000Base-BX-U	-2.0	3.0	-26	-3.0	24	1510 / 1590	SMF	-	-	80 km (50 mi)	
S-1110DPP-S1SC80D	2	Single SC	1000Base-BX-D	-2.0	3.0	-26	-3.0	24	1590 / 1510	SMF	-	-	80 km (50 mi)	

S-1110DPP-S1SC120U	2	Single SC	1000Base-BX-U	-3.0	2.0	-34	-9.0	31	1510 / 1590	SMF	-	-	120 km (75 mi)
S-1110DPP-S1SC120D	2	Single SC	1000Base-BX-D	-3.0	2.0	-34	-9.0	31	1590 / 1510	SMF	-	-	120 km (75 mi)

The minimum fiber cable distance for all converters listed is 2 meters.




*A mode-conditioning adapter as specified by the IEEE standard, is required regardless of the span length. Note how the mode conditioning adapter for 62.5-um fibers has a different specification from the mode-conditioning adapter for 50-um fibers.







**ITU-T G.652 SMF as specified by the IEEE 802.3z standard.

Media Converter Accessories

4 DIN Rail Mount Bkt DIN Rail Mounting Kit

MCSM Standalone media converter wall mount bracket

Product Image	Description	Power Cord	Product Number
	S-1110P-SFP - 10/100/1000 Gigabit Ethernet Standalone Media Rate Converter w/ PoE PSE. 10/100/1000Base-T (RJ-45) [100 m/328 ft.] to 1000Base-X or 100Base-X - SFP Slot (empty), w/ AC Adapter	USA UK EU SA AUS NONE	05080004 05080001 05080002 05080005 05080006 05080008
	S-1110P-DSFP - 10/100/1000 Gigabit Ethernet Standalone Media Rate Converter w/ PoE PSE. 10/100/1000Base-T (RJ-45) [100 m/328 ft.] to 1000Base-X or 100Base-X - Dual SFP Slot (empty), w/ AC Adapter	USA UK EU SA AUS NONE	05080014 05080011 05080012 05080015 05080016 05080018
	S-1110P-M2SC05 - 10/100/1000 Gigabit Ethernet Stand-Alone Media Rate Converter w/ PoE PSE. 10/100/1000Base-T (RJ-45) [100 m/328 ft.] to 1000Base-SX 850nm multimode (SC) [550 m/1804 ft.], w/ AC Adapter	USA UK EU SA AUS NONE	05080024 05080021 05080022 05080025 05080026 05080028

Product Image	Description	Power Cord	Product Number
	S-1110P-M2ST05 - 10/100/1000 Gigabit Ethernet Stand-Alone Media Rate Converter w/ PoE PSE. 10/100/1000Base-T (RJ-45) [100 m/328 ft.] to 1000Base-SX 850nm multimode (ST) [550 m/1804 ft.], w/ AC Adapter	USA UK EU SA AUS NONE	05080034 05080031 05080032 05080035 05080036 05080038
	S-1110P-S2SC10 - 10/100/1000 Gigabit Ethernet Stand-Alone Media Rate Converter w/ PoE PSE. 10/100/1000Base-T (RJ-45) [100 m/328 ft.] to 1000Base-LX/LH 1310 nm single mode (SC) [10 km/6.2 miles] or multimode (SC) [550 m/1804 ft.] using a mode conditioning adapter. Includes AC Power Adapter	USA UK EU SA AUS NONE	05080044 05080041 05080042 05080045 05080046 05080048
	S-1110P-S2ST10 - 10/100/1000 Gigabit Ethernet Stand-Alone Media Rate Converter w/ PoE PSE. 10/100/1000Base-T (RJ-45) [100 m/328 ft.] to 1000Base-LX/LH 1310 nm single mode (ST) [10 km/6.2 miles], w/ AC Adapter	USA UK EU SA AUS NONE	05080054 05080051 05080052 05080055 05080056 05080058
	S-1110P-S2SC40 - 10/100/1000 Gigabit Ethernet Stand-Alone Media Rate Converter w/ PoE PSE. 10/100/1000Base-T (RJ-45) [100 m/328 ft.] to 1000Base-EX 1310 nm single mode (SC) [40 km/24.9 miles], w/ AC Adapter	USA UK EU SA AUS NONE	05080064 05080061 05080062 05080065 05080066 05080068
	S-1110P-S2ST40 - 10/100/1000 Gigabit Ethernet Stand-Alone Media Rate Converter w/ PoE PSE. 10/100/1000Base-T (RJ-45) [100 m/328 ft.] to 1000Base-EX 1310 nm single mode (ST) [40 km/24.9 miles], w/ AC Adapter	USA UK EU SA AUS NONE	05080074 05080071 05080072 05080075 05080076 05080078
	S-1110P-S2SC70 - 10/100/1000 Gigabit Ethernet Stand-Alone Media Rate Converter w/ PoE PSE. 10/100/1000Base-T (RJ-45) [100 m/328 ft.] to 1000Base-ZX 1550 nm single mode (SC) [70 km/43.5 miles], w/ AC Adapter	USA UK EU SA AUS NONE	05080084 05080081 05080082 05080085 05080086 05080088

Product Image	Description	Power Cord	Product Number
	S-1110P-S2ST70 - 10/100/1000 Gigabit Ethernet Stand-Alone Media Rate Converter w/ PoE PSE. 10/100/1000Base-T (RJ-45) [100 m/328 ft.] to 1000Base-ZX 1550 nm single mode (ST) [70 km/43.5 miles], w/ AC Adapter	USA UK EU SA AUS NONE	05080094 05080091 05080092 05080095 05080096 05080098
	S-1110P-S2SC120 - 10/100/1000 Gigabit Ethernet Stand-Alone Media Rate Converter w/ PoE PSE. 10/100/1000Base-T (RJ-45) [100 m/328 ft.] to 1000Base-EZX 1550 nm single mode (SC) [120 km/74.6 miles], w/ AC Adapter	USA UK EU SA AUS NONE	05080104 05080101 05080102 05080105 05080106 05080108
	S-1110P-S2ST120 - 10/100/1000 Gigabit Ethernet Stand-Alone Media Rate Converter w/ PoE PSE. 10/100/1000Base-T (RJ-45) [100 m/328 ft.] to 1000Base-ZX 1550 nm single mode (ST) [120 km/74.6 miles], w/ AC Adapter	USA UK EU SA AUS NONE	05080114 05080111 05080112 05080115 05080116 05080118
	S-1110P-S2SC160 - 10/100/1000 Gigabit Ethernet Stand-Alone Media Rate Converter w/ PoE PSE. 10/100/1000Base-T (RJ-45) [100 m/328 ft.] to 1000Base-EZX 1550 nm single mode (SC) [160 km/100 miles], w/ AC Adapter	USA UK EU SA AUS NONE	05080124 05080121 05080122 05080125 05080126 05080128
	S-1110P-S2ST160 - 10/100/1000 Gigabit Ethernet Stand-Alone Media Rate Converter w/ PoE PSE. 10/100/1000Base-T (RJ-45) [100 m/328 ft.] to 1000Base-ZX 1550 nm single mode (ST) [160 km/100 miles], w/ AC Adapter	USA UK EU SA AUS NONE	05080134 05080131 05080132 05080135 05080136 05080138
	S-1110P-S1SC10U - 10/100/1000 Gigabit Ethernet Stand-Alone Media Rate Converter w/ PoE PSE. 10/100/1000Base-T (RJ-45) [100 m/328 ft.] to 1000Base-BX 1310nm TX / 1490nm RX single strand fiber, single mode (SC) [10 km/6.2 miles], w/ AC Adapter	USA UK EU SA AUS NONE	05080144 05080141 05080142 05080145 05080146 05080148

Product Image	Description	Power Cord	Product Number
	S-1110P-S1SC10D - 10/100/1000 Gigabit Ethernet Stand-Alone Media Rate Converter w/ PoE PSE. 10/100/1000Base-T (RJ-45) [100 m/328 ft.] to 1000Base-BX 1490nm TX / 1310nm RX single strand fiber, single mode (SC) [10 km/6.2 miles], w/ AC Adapter	USA UK EU SA AUS NONE	05080154 05080151 05080152 05080155 05080156 05080158
	S-1110P-S1SC20U - 10/100/1000 Gigabit Ethernet Stand-Alone Media Rate Converter w/ PoE PSE. 10/100/1000Base-T (RJ-45) [100 m/328 ft.] to 1000Base-BX 1310nm TX / 1490nm RX single strand fiber, single mode (SC) [20 km/12.4 miles], w/ AC Adapter	USA UK EU SA AUS NONE	05080164 05080161 05080162 05080165 05080166 05080168
	S-1110P-S1SC20D - 10/100/1000 Gigabit Ethernet Stand-Alone Media Rate Converter w/ PoE PSE. 10/100/1000Base-T (RJ-45) [100 m/328 ft.] to 1000Base-BX 1490nm TX / 1310nm RX single strand fiber, single mode (SC) [20 km/12.4 miles],w/ AC Adapter	USA UK EU SA AUS NONE	05080174 05080171 05080172 05080175 05080176 05080178
	S-1110P-S1SC40U - 10/100/1000 Gigabit Ethernet Stand-Alone Media Rate Converter w/ PoE PSE. 10/100/1000Base-T (RJ-45) [100 m/328 ft.] to 1000Base-BX 1310nm TX / 1490nm RX single strand fiber, single mode (SC) [40 km/25 miles], w/ AC Adapter	USA UK EU SA AUS NONE	05080184 05080181 05080182 05080185 05080186 05080188
	S-1110P-S1SC40D - 10/100/1000 Gigabit Ethernet Stand-Alone Media Rate Converter w/ PoE PSE. 10/100/1000Base-T (RJ-45) [100 m/328 ft.] to 1000Base-BX 1490nm TX / 1310nm RX single strand fiber, single mode (SC) [40 km/25 miles], w/ AC Adapter	USA UK EU SA AUS NONE	05080194 05080191 05080192 05080195 05080196 05080198
	S-1110P-S1SC80U - 10/100/1000 Gigabit Ethernet Stand-Alone Media Rate Converter w/ PoE PSE. 10/100/1000Base-T (RJ-45) [100 m/328 ft.] to 1000Base-BX 1510nm TX / 1590nm RX single strand fiber, single mode (SC) [80 km/50 miles], w/ AC Adapter	USA UK EU SA AUS NONE	05080204 05080201 05080202 05080205 05080206 05080208

Product Image	Description	Power Cord	Product Number
	S-1110P-S1SC80D - 10/100/1000 Gigabit Ethernet Stand-Alone Media Rate Converter w/ PoE PSE. 10/100/1000Base-T (RJ-45) [100 m/328 ft.] to 1000Base-BX 1590nm TX / 1510nm RX single strand fiber, single mode (SC) [80 km/50 miles], w/ AC Adapter	USA UK EU SA AUS NONE	05080214 05080211 05080212 05080215 05080216 05080218
	S-1110P-S1SC120U - 10/100/1000 Gigabit Ethernet Stand-Alone Media Rate Converter w/ PoE PSE. 10/100/1000Base-T (RJ-45) [100 m/328 ft.] to 1000Base-BX 1510nm TX / 1590nm RX single strand fiber, single mode (SC) [120 km/75 miles], w/ AC Adapter	USA UK EU SA AUS NONE	05080224 05080221 05080222 05080225 05080226 05080228
	S-1110P-S1SC120D - 10/100/1000 Gigabit Ethernet Stand-Alone Media Rate Converter w/ PoE PSE. 10/100/1000Base-T (RJ-45) [100 m/328 ft.] to 1000Base-BX 1590nm TX / 1510nm RX single strand fiber, single mode (SC) [120 km/75 miles], w/ AC Adapter	USA UK EU SA AUS NONE	05080234 05080231 05080232 05080235 05080236 05080238
	S-1110PP-SFP - 10/100/1000 Gigabit Ethernet Standalone Media Rate Converter w/ PoE+ PSE. 10/100/1000Base-T (RJ-45) [100 m/328 ft.] to 1000Base-X or 100Base-X - SFP Slot (empty), w/ AC Adapter	USA UK EU SA AUS NONE	05081004 05081001 05081002 05081005 05081006 05081008
	S-1110PP-DSFP - 10/100/1000 Gigabit Ethernet Standalone Media Rate Converter w/ PoE+ PSE. 10/100/1000Base-T (RJ-45) [100 m/328 ft.] to 1000Base-X or 100Base-X - Dual SFP Slot (empty), w/ AC Adapter	USA UK EU SA AUS NONE	05081014 05081011 05081012 05081015 05081016 05081018
	S-1110PP-M2SC05 - 10/100/1000 Gigabit Ethernet Stand-Alone Media Rate Converter w/ PoE+ PSE. 10/100/1000Base-T (RJ-45) [100 m/328 ft.] to 1000Base-SX 850nm multimode (SC) [550 m/1804 ft.], w/ AC Adapter	USA UK EU SA AUS NONE	05081024 05081021 05081022 05081025 05081026 05081028

Product Image	Description	Power Cord	Product Number
	S-1110PP-M2ST05 - 10/100/1000 Gigabit Ethernet Stand-Alone Media Rate Converter w/ PoE+ PSE. 10/100/1000Base-T (RJ-45) [100 m/328 ft.] to 1000Base-SX 850nm multimode (ST) [550 m/1804 ft.], w/ AC Adapter	USA UK EU SA AUS NONE	05081034 05081031 05081032 05081035 05081036 05081038
	S-1110PP-S2SC10 - 10/100/1000 Gigabit Ethernet Stand-Alone Media Rate Converter w/ PoE+ PSE. 10/100/1000Base-T (RJ-45) [100 m/328 ft.] to 1000Base-LX/LH 1310 nm single mode (SC) [10 km/6.2 miles] or multimode (SC) [550 m/1804 ft.], w/ AC Adapter	USA UK EU SA AUS NONE	05081044 05081041 05081042 05081045 05081046 05081048
	S-1110PP-S2ST10 - 10/100/1000 Gigabit Ethernet Stand-Alone Media Rate Converter w/ PoE+ PSE. 10/100/1000Base-T (RJ-45) [100 m/328 ft.] to 1000Base-LX/LH 1310 nm single mode (ST) [10 km/6.2 miles], w/ AC Adapter	USA UK EU SA AUS NONE	05081054 05081051 05081052 05081055 05081056 05081058
	S-1110PP-S2SC40 - 10/100/1000 Gigabit Ethernet Stand-Alone Media Rate Converter w/ PoE+ PSE. 10/100/1000Base-T (RJ-45) [100 m/328 ft.] to 1000Base-EX 1310 nm single mode (SC) [40 km/24.9 miles], w/ AC Adapter	USA UK EU SA AUS NONE	05081064 05081061 05081062 05081065 05081066 05081068
	S-1110PP-S2ST40 - 10/100/1000 Gigabit Ethernet Stand-Alone Media Rate Converter w/ PoE+ PSE. 10/100/1000Base-T (RJ-45) [100 m/328 ft.] to 1000Base-EX 1310 nm single mode (ST) [40 km/24.9 miles], w/ AC Adapter	USA UK EU SA AUS NONE	05081074 05081071 05081072 05081075 05081076 05081078
	S-1110PP-S2SC70 - 10/100/1000 Gigabit Ethernet Stand-Alone Media Rate Converter w/ PoE+ PSE. 10/100/1000Base-T (RJ-45) [100 m/328 ft.] to 1000Base-ZX 1550 nm single mode (SC) [70 km/43.5 miles], w/ AC Adapter	USA UK EU SA AUS NONE	05081084 05081081 05081082 05081085 05081086 05081088

Product Image	Description	Power Cord	Product Number
	S-1110PP-S2ST70 - 10/100/1000 Gigabit Ethernet Stand-Alone Media Rate Converter w/ PoE+ PSE. 10/100/1000Base-T (RJ-45) [100 m/328 ft.] to 1000Base-ZX 1550 nm single mode (ST) [70 km/43.5 miles], w/ AC Adapter	USA UK EU SA AUS NONE	05081094 05081091 05081092 05081095 05081096 05081098
	S-1110PP-S2SC120 - 10/100/1000 Gigabit Ethernet Stand-Alone Media Rate Converter w/ PoE+ PSE. 10/100/1000Base-T (RJ-45) [100 m/328 ft.] to 1000Base-EZX 1550 nm single mode (SC) [120 km/74.6 miles], w/ AC Adapter	USA UK EU SA AUS NONE	05081104 05081101 05081102 05081105 05081106 05081108
	S-1110PP-S2ST120 - 10/100/1000 Gigabit Ethernet Stand-Alone Media Rate Converter w/ PoE+ PSE. 10/100/1000Base-T (RJ-45) [100 m/328 ft.] to 1000Base-ZX 1550 nm single mode (ST) [120 km/74.6 miles], w/ AC Adapter	USA UK EU SA AUS NONE	05081114 05081111 05081112 05081115 05081116 05081118
	S-1110PP-S2SC160 - 10/100/1000 Gigabit Ethernet Stand-Alone Media Rate Converter w/ PoE+ PSE. 10/100/1000Base-T (RJ-45) [100 m/328 ft.] to 1000Base-EZX 1550 nm single mode (SC) [160 km/100 miles], w/ AC Adapter	USA UK EU SA AUS NONE	05081124 05081121 05081122 05081125 05081126 05081128
	S-1110PP-S2ST160 - 10/100/1000 Gigabit Ethernet Stand-Alone Media Rate Converter w/ PoE+ PSE. 10/100/1000Base-T (RJ-45) [100 m/328 ft.] to 1000Base-ZX 1550 nm single mode (ST) [160 km/100 miles], w/ AC Adapter	USA UK EU SA AUS NONE	05081134 05081131 05081132 05081135 05081136 05081138
	S-1110PP-S1SC10U - 10/100/1000 Gigabit Ethernet Stand-Alone Media Rate Converter w/ PoE+ PSE. 10/100/1000Base-T (RJ-45) [100 m/328 ft.] to 1000Base-BX 1310nm TX / 1490nm RX single strand fiber, single mode (SC) [10 km/6.2 miles], w/ AC Adapter	USA UK EU SA AUS NONE	05081144 05081141 05081142 05081145 05081146 05081148

Product Image	Description	Power Cord	Product Number
	S-1110PP-S1SC10D - 10/100/1000 Gigabit Ethernet Stand-Alone Media Rate Converter w/ PoE+ PSE. 10/100/1000Base-T (RJ-45) [100 m/328 ft.] to 1000Base-BX 1490nm TX / 1310nm RX single strand fiber, single mode (SC) [10 km/6.2 miles], w/ AC Adapter	USA UK EU SA AUS NONE	05081154 05081151 05081152 05081155 05081156 05081158
	S-1110PP-S1SC20U - 10/100/1000 Gigabit Ethernet Stand-Alone Media Rate Converter w/ PoE+ PSE. 10/100/1000Base-T (RJ-45) [100 m/328 ft.] to 1000Base-BX 1310nm TX / 1490nm RX single strand fiber, single mode (SC) [20 km/12.4 miles], w/ AC Adapter	USA UK EU SA AUS NONE	05081164 05081161 05081162 05081165 05081166 05081168
	S-1110PP-S1SC20D - 10/100/1000 Gigabit Ethernet Stand-Alone Media Rate Converter w/ PoE+ PSE. 10/100/1000Base-T (RJ-45) [100 m/328 ft.] to 1000Base-BX 1490nm TX / 1310nm RX single strand fiber, single mode (SC) [20 km/12.4 miles], w/ AC Adapter	USA UK EU SA AUS NONE	05081174 05081171 05081172 05081175 05081176 05081178
	S-1110PP-S1SC40U - 10/100/1000 Gigabit Ethernet Stand-Alone Media Rate Converter w/ PoE+ PSE. 10/100/1000Base-T (RJ-45) [100 m/328 ft.] to 1000Base-BX 1310nm TX / 1490nm RX single strand fiber, single mode (SC) [40 km/25 miles], w/ AC Adapter	USA UK EU SA AUS NONE	05081184 05081181 05081182 05081185 05081186 05081188
	S-1110PP-S1SC40D - 10/100/1000 Gigabit Ethernet Stand-Alone Media Rate Converter w/ PoE+ PSE. 10/100/1000Base-T (RJ-45) [100 m/328 ft.] to 1000Base-BX 1490nm TX / 1310nm RX single strand fiber, single mode (SC) [40 km/25 miles], w/ AC Adapter	USA UK EU SA AUS NONE	05081194 05081191 05081192 05081195 05081196 05081198
	S-1110PP-S1SC80U - 10/100/1000 Gigabit Ethernet Stand-Alone Media Rate Converter w/ PoE+ PSE. 10/100/1000Base-T (RJ-45) [100 m/328 ft.] to 1000Base-BX 1510nm TX / 1590nm RX single strand fiber, single mode (SC) [80 km/50 miles], w/ AC Adapter	USA UK EU SA AUS NONE	05081204 05081201 05081202 05081205 05081206 05081208

Product Image	Description	Power Cord	Product Number
	S-1110PP-S1SC80D - 10/100/1000 Gigabit Ethernet Stand-Alone Media Rate Converter w/ PoE+ PSE. 10/100/1000Base-T (RJ-45) [100 m/328 ft.] to 1000Base-BX 1590nm TX / 1510nm RX single strand fiber, single mode (SC) [80 km/50 miles], w/ AC Adapter	USA UK EU SA AUS NONE	05081214 05081211 05081212 05081215 05081216 05081218
	S-1110PP-S1SC120U - 10/100/1000 Gigabit Ethernet Stand-Alone Media Rate Converter w/ PoE+ PSE. 10/100/1000Base-T (RJ-45) [100 m/328 ft.] to 1000Base-BX 1510nm TX / 1590nm RX single strand fiber, single mode (SC) [120 km/75 miles], w/ AC Adapter	USA UK EU SA AUS NONE	05081224 05081221 05081222 05081225 05081226 05081228
	S-1110PP-S1SC120D - 10/100/1000 Gigabit Ethernet Stand-Alone Media Rate Converter w/ PoE+ PSE. 10/100/1000Base-T (RJ-45) [100 m/328 ft.] to 1000Base-BX 1590nm TX / 1510nm RX single strand fiber, single mode (SC) [120 km/75 miles], w/ AC Adapter	USA UK EU SA AUS NONE	05081234 05081231 05081232 05081235 05081236 05081238
	S-1110DP-SFP - 10/100/1000 Gigabit Ethernet Standalone Media Rate Converter w/ PoE PSE. Dual 10/100/1000Base-T (RJ-45) [100 m/328 ft.] to 1000Base-X or 100Base-X - SFP Slot (empty), w/ AC Adapter	USA UK EU SA AUS NONE	05082004 05082001 05082002 05082005 05082006 05082008
	S-1110DP-DSFP - 10/100/1000 Gigabit Ethernet Standalone Media Rate Converter w/ PoE PSE. Dual 10/100/1000Base-T (RJ-45) [100 m/328 ft.] to 1000Base-X or 100Base-X - Dual SFP Slot (empty), w/ AC Adapter	USA UK EU SA AUS NONE	05082014 05082011 05082012 05082015 05082016 05082018
	S-1110DP-M2SC05 - 10/100/1000 Gigabit Ethernet Stand-Alone Media Rate Converter w/ PoE PSE. Dual 10/100/1000Base-T (RJ-45) [100 m/328 ft.] to 1000Base-SX 850nm multimode (SC) [550 m/1804 ft.], w/ AC Adapter	USA UK EU SA AUS NONE	05082024 05082021 05082022 05082025 05082026 05082028

Product Image	Description	Power Cord	Product Number
	S-1110DP-M2ST05 - 10/100/1000 Gigabit Ethernet Stand-Alone Media Rate Converter w/ PoE PSE. Dual 10/100/1000Base-T (RJ-45) [100 m/328 ft.] to 1000Base-SX 850nm multimode (ST) [550 m/1804 ft.], w/ AC Adapter	USA UK EU SA AUS NONE	05082034 05082031 05082032 05082035 05082036 05082038
	S-1110DP-S2SC10 - 10/100/1000 Gigabit Ethernet Stand-Alone Media Rate Converter w/ PoE PSE. Dual 10/100/1000Base-T (RJ-45) [100 m/328 ft.] to 1000Base-LX/LH 1310 nm single mode (SC) [10 km/6.2 miles] or multimode (SC) [550 m/1804 ft.], w/ AC Adapter	USA UK EU SA AUS NONE	05082044 05082041 05082042 05082045 05082046 05082048
	S-1110DP-S2ST10 - 10/100/1000 Gigabit Ethernet Stand-Alone Media Rate Converter w/ PoE PSE. Dual 10/100/1000Base-T (RJ-45) [100 m/328 ft.] to 1000Base-LX/LH 1310 nm single mode (ST) [10 km/6.2 miles], w/ AC Adapter	USA UK EU SA AUS NONE	05082054 05082051 05082052 05082055 05082056 05082058
	S-1110DP-S2SC40 - 10/100/1000 Gigabit Ethernet Stand-Alone Media Rate Converter w/ PoE PSE. Dual 10/100/1000Base-T (RJ-45) [100 m/328 ft.] to 1000Base-EX 1310 nm single mode (SC) [40 km/24.9 miles], w/ AC Adapter	USA UK EU SA AUS NONE	05082064 05082061 05082062 05082065 05082066 05082068
	S-1110DP-S2ST40 - 10/100/1000 Gigabit Ethernet Stand-Alone Media Rate Converter w/ PoE PSE. Dual 10/100/1000Base-T (RJ-45) [100 m/328 ft.] to 1000Base-EX 1310 nm single mode (ST) [40 km/24.9 miles], w/ AC Adapter	USA UK EU SA AUS NONE	05082074 05082071 05082072 05082075 05082076 05082078
	S-1110DP-S2SC70 - 10/100/1000 Gigabit Ethernet Stand-Alone Media Rate Converter w/ PoE PSE. Dual 10/100/1000Base-T (RJ-45) [100 m/328 ft.] to 1000Base-ZX 1550 nm single mode (SC) [70 km/43.5 miles], w/ AC Adapter	USA UK EU SA AUS NONE	05082084 05082081 05082082 05082085 05082086 05082088

Product Image	Description	Power Cord	Product Number
	S-1110DP-S2ST70 - 10/100/1000 Gigabit Ethernet Stand-Alone Media Rate Converter w/ PoE PSE. Dual 10/100/1000Base-T (RJ-45) [100 m/328 ft.] to 1000Base-ZX 1550 nm single mode (ST) [70 km/43.5 miles], w/ AC Adapter	USA UK EU SA AUS NONE	05082094 05082091 05082092 05082095 05082096 05082098
	S-1110DP-S2SC120 - 10/100/1000 Gigabit Ethernet Stand-Alone Media Rate Converter w/ PoE PSE. Dual 10/100/1000Base-T (RJ-45) [100 m/328 ft.] to 1000Base-EZX 1550 nm single mode (SC) [120 km/74.6 miles], w/ AC Adapter	USA UK EU SA AUS NONE	05082104 05082101 05082102 05082105 05082106 05082108
	S-1110DP-S2ST120 - 10/100/1000 Gigabit Ethernet Stand-Alone Media Rate Converter w/ PoE PSE. Dual 10/100/1000Base-T (RJ-45) [100 m/328 ft.] to 1000Base-ZX 1550 nm single mode (ST) [120 km/74.6 miles], w/ AC Adapter	USA UK EU SA AUS NONE	05082114 05082111 05082112 05082115 05082116 05082118
	S-1110DP-S2SC160 - 10/100/1000 Gigabit Ethernet Stand-Alone Media Rate Converter w/ PoE PSE. Dual 10/100/1000Base-T (RJ-45) [100 m/328 ft.] to 1000Base-EZX 1550 nm single mode (SC) [160 km/100 miles], w/ AC Adapter	USA UK EU SA AUS NONE	05082124 05082121 05082122 05082125 05082126 05082128
	S-1110DP-S2ST160 - 10/100/1000 Gigabit Ethernet Stand-Alone Media Rate Converter w/ PoE PSE. Dual 10/100/1000Base-T (RJ-45) [100 m/328 ft.] to 1000Base-ZX 1550 nm single mode (ST) [160 km/100 miles], w/ AC Adapter	USA UK EU SA AUS NONE	05082134 05082131 05082132 05082135 05082136 05082138
	S-1110DP-S1SC10U - 10/100/1000 Gigabit Ethernet Stand-Alone Media Rate Converter w/ PoE PSE. Dual 10/100/1000Base-T (RJ-45) [100 m/328 ft.] to 1000Base-BX 1310nm TX / 1490nm RX single strand fiber, single mode (SC) [10 km/6.2 miles],w/ AC Adapter	USA UK EU SA AUS NONE	05082144 05082141 05082142 05082145 05082146 05082148

Product Image	Description	Power Cord	Product Number
	S-1110DP-S1SC10D - 10/100/1000 Gigabit Ethernet Stand-Alone Media Rate Converter w/ PoE PSE. Dual 10/100/1000Base-T (RJ-45) [100 m/328 ft.] to 1000Base-BX 1490nm TX / 1310nm RX single strand fiber, single mode (SC) [10 km/6.2 miles], w/ AC Adapter	USA UK EU SA AUS NONE	05082154 05082151 05082152 05082155 05082156 05082158
	S-1110DP-S1SC20U - 10/100/1000 Gigabit Ethernet Stand-Alone Media Rate Converter w/ PoE PSE. Dual 10/100/1000Base-T (RJ-45) [100 m/328 ft.] to 1000Base-BX 1310nm TX / 1490nm RX single strand fiber, single mode (SC) [20 km/12.4 miles], w/ AC Adapter	USA UK EU SA AUS NONE	05082164 05082161 05082162 05082165 05082166 05082168
	S-1110DP-S1SC20D - 10/100/1000 Gigabit Ethernet Stand-Alone Media Rate Converter w/ PoE PSE. Dual 10/100/1000Base-T (RJ-45) [100 m/328 ft.] to 1000Base-BX 1490nm TX / 1310nm RX single strand fiber, single mode (SC) [20 km/12.4 miles], w/ AC Adapter	USA UK EU SA AUS NONE	05082174 05082171 05082172 05082175 05082176 05082178
	S-1110DP-S1SC40U - 10/100/1000 Gigabit Ethernet Stand-Alone Media Rate Converter w/ PoE PSE. Dual 10/100/1000Base-T (RJ-45) [100 m/328 ft.] to 1000Base-BX 1310nm TX / 1490nm RX single strand fiber, single mode (SC) [40 km/25 miles], w/ AC Adapter	USA UK EU SA AUS NONE	05082184 05082181 05082182 05082185 05082186 05082188
	S-1110DP-S1SC40D - 10/100/1000 Gigabit Ethernet Stand-Alone Media Rate Converter w/ PoE PSE. Dual 10/100/1000Base-T (RJ-45) [100 m/328 ft.] to 1000Base-BX 1490nm TX / 1310nm RX single strand fiber, single mode (SC) [40 km/25 miles], w/ AC Adapter	USA UK EU SA AUS NONE	05082194 05082191 05082192 05082195 05082196 05082198
	S-1110DP-S1SC80U - 10/100/1000 Gigabit Ethernet Stand-Alone Media Rate Converter w/ PoE PSE. Dual 10/100/1000Base-T (RJ-45) [100 m/328 ft.] to 1000Base-BX 1510nm TX / 1590nm RX single strand fiber, single mode (SC) [80 km/50 miles], w/ AC Adapter	USA UK EU SA AUS NONE	05082204 05082201 05082202 05082205 05082206 05082208

Product Image	Description	Power Cord	Product Number
	S-1110DP-S1SC80D - 10/100/1000 Gigabit Ethernet Stand-Alone Media Rate Converter w/ PoE PSE. Dual 10/100/1000Base-T (RJ-45) [100 m/328 ft.] to 1000Base-BX 1590nm TX / 1510nm RX single strand fiber, single mode (SC) [80 km/50 miles], w/ AC Adapter	USA UK EU SA AUS NONE	05082214 05082211 05082212 05082215 05082216 05082218
	S-1110DP-S1SC120U - 10/100/1000 Gigabit Ethernet Stand-Alone Media Rate Converter w/ PoE PSE. Dual 10/100/1000Base-T (RJ-45) [100 m/328 ft.] to 1000Base-BX 1510nm TX / 1590nm RX single strand fiber, single mode (SC) [120 km/75 miles], w/ AC Adapter	USA UK EU SA AUS NONE	05082224 05082221 05082222 05082225 05082226 05082228
	S-1110DP-S1SC120D - 10/100/1000 Gigabit Ethernet Stand-Alone Media Rate Converter w/ PoE PSE. Dual 10/100/1000Base-T (RJ-45) [100 m/328 ft.] to 1000Base-BX 1590nm TX / 1510nm RX single strand fiber, single mode (SC) [120 km/75 miles], w/ AC Adapter	USA UK EU SA AUS NONE	05082234 05082231 05082232 05082235 05082236 05082238
	S-1110DPP-SFP - 10/100/1000 Gigabit Ethernet Standalone Media Rate Converter w/ PoE+ PSE. Dual 10/100/1000Base-T (RJ-45) [100 m/328 ft.] to 1000Base-X or 100Base-X - SFP Slot (empty), w/ AC Adapter	USA UK EU SA AUS NONE	05083004 05083001 05083002 05083005 05083006 05083008
	S-1110DPP-DSFP - 10/100/1000 Gigabit Ethernet Standalone Media Rate Converter w/ PoE+ PSE. Dual 10/100/1000Base-T (RJ-45) [100 m/328 ft.] to 1000Base-X or 100Base-X - Dual SFP Slot (empty), w/ AC Adapter	USA UK EU SA AUS NONE	05083014 05083011 05083012 05083015 05083016 05083018
	S-1110DPP-M2SC05 - 10/100/1000 Gigabit Ethernet Stand-Alone Media Rate Converter w/ PoE+ PSE. Dual 10/100/1000Base-T (RJ-45) [100 m/328 ft.] to 1000Base-SX 850nm multimode (SC) [550 m/1804 ft.], w/ AC Adapter	USA UK EU SA AUS NONE	05083024 05083021 05083022 05083025 05083026 05083028

Product Image	Description	Power Cord	Product Number
	S-1110DPP-M2ST05 - 10/100/1000 Gigabit Ethernet Stand-Alone Media Rate Converter w/ PoE+ PSE. Dual 10/100/1000Base-T (RJ-45) [100 m/328 ft.] to 1000Base-SX 850nm multimode (ST) [550 m/1804 ft.], w/ AC Adapter	USA UK EU SA AUS NONE	05083034 05083031 05083032 05083035 05083036 05083038
	S-1110DPP-S2SC10 - 10/100/1000 Gigabit Ethernet Stand-Alone Media Rate Converter w/ PoE+ PSE. Dual 10/100/1000Base-T (RJ-45) [100 m/328 ft.] to 1000Base-LX/LH 1310 nm single mode (SC) [10 km/6.2 miles] or multimode (SC) [550 m/1804 ft.] w/ AC Adapter	USA UK EU SA AUS NONE	05083044 05083041 05083042 05083045 05083046 05083048
	S-1110DPP-S2ST10 - 10/100/1000 Gigabit Ethernet Stand-Alone Media Rate Converter w/ PoE+ PSE. Dual 10/100/1000Base-T (RJ-45) [100 m/328 ft.] to 1000Base-LX/LH 1310 nm single mode (ST) [10 km/6.2 miles], w/ AC Adapter	USA UK EU SA AUS NONE	05083054 05083051 05083052 05083055 05083056 05083058
	S-1110DPP-S2SC40 - 10/100/1000 Gigabit Ethernet Stand-Alone Media Rate Converter w/ PoE+ PSE. Dual 10/100/1000Base-T (RJ-45) [100 m/328 ft.] to 1000Base-EX 1310 nm single mode (SC) [40 km/24.9 miles], w/ AC Adapter	USA UK EU SA AUS NONE	05083064 05083061 05083062 05083065 05083066 05083068
	S-1110DPP-S2ST40 - 10/100/1000 Gigabit Ethernet Stand-Alone Media Rate Converter w/ PoE+ PSE. Dual 10/100/1000Base-T (RJ-45) [100 m/328 ft.] to 1000Base-EX 1310 nm single mode (ST) [40 km/24.9 miles], w/ AC Adapter	USA UK EU SA AUS NONE	05083074 05083071 05083072 05083075 05083076 05083078
	S-1110DPP-S2SC70 - 10/100/1000 Gigabit Ethernet Stand-Alone Media Rate Converter w/ PoE+ PSE. Dual 10/100/1000Base-T (RJ-45) [100 m/328 ft.] to 1000Base-ZX 1550 nm single mode (SC) [70 km/43.5 miles], w/ AC Adapter	USA UK EU SA AUS NONE	05083084 05083081 05083082 05083085 05083086 05083088


Product Image	Description	Power Cord	Product Number
	S-1110DPP-S2ST70 - 10/100/1000 Gigabit Ethernet Stand-Alone Media Rate Converter w/ PoE+ PSE. Dual 10/100/1000Base-T (RJ-45) [100 m/328 ft.] to 1000Base-ZX 1550 nm single mode (ST) [70 km/43.5 miles], w/ AC Adapter	USA UK EU SA AUS NONE	05083094 05083091 05083092 05083095 05083096 05083098
	S-1110DPP-S2SC120 - 10/100/1000 Gigabit Ethernet Stand-Alone Media Rate Converter w/ PoE+ PSE. Dual 10/100/1000Base-T (RJ-45) [100 m/328 ft.] to 1000Base-EZX 1550 nm single mode (SC) [120 km/74.6 miles], w/ AC Adapter	USA UK EU SA AUS NONE	05083104 05083101 05083102 05083105 05083106 05083108
	S-1110DPP-S2ST120 - 10/100/1000 Gigabit Ethernet Stand-Alone Media Rate Converter w/ PoE+ PSE. Dual 10/100/1000Base-T (RJ-45) [100 m/328 ft.] to 1000Base-ZX 1550 nm single mode (ST) [120 km/74.6 miles], w/ AC Adapter	USA UK EU SA AUS NONE	05083114 05083111 05083112 05083115 05083116 05083118
	S-1110DPP-S2SC160 - 10/100/1000 Gigabit Ethernet Stand-Alone Media Rate Converter w/ PoE+ PSE. Dual 10/100/1000Base-T (RJ-45) [100 m/328 ft.] to 1000Base-EZX 1550 nm single mode (SC) [160 km/100 miles], w/ AC Adapter	USA UK EU SA AUS NONE	05083124 05083121 05083122 05083125 05083126 05083128
	S-1110DPP-S2ST160 - 10/100/1000 Gigabit Ethernet Stand-Alone Media Rate Converter w/ PoE+ PSE. Dual 10/100/1000Base-T (RJ-45) [100 m/328 ft.] to 1000Base-ZX 1550 nm single mode (ST) [160 km/100 miles], w/ AC Adapter	USA UK EU SA AUS NONE	05083134 05083131 05083132 05083135 05083136 05083138
	S-1110DPP-S1SC10U - 10/100/1000 Gigabit Ethernet Stand-Alone Media Rate Converter w/ PoE+ PSE. Dual 10/100/1000Base-T (RJ-45) [100 m/328 ft.] to 1000Base-BX 1310nm TX / 1490nm RX single strand fiber, single mode (SC) [10 km/6.2 miles], w/ AC Adapter	USA UK EU SA AUS NONE	05083144 05083141 05083142 05083145 05083146 05083148

Product Image	Description	Power Cord	Product Number
	S-1110DPP-S1SC10D - 10/100/1000 Gigabit Ethernet Stand-Alone Media Rate Converter w/ PoE+ PSE. Dual 10/100/1000Base-T (RJ-45) [100 m/328 ft.] to 1000Base-BX 1490nm TX / 1310nm RX single strand fiber, single mode (SC) [10 km/6.2 miles], w/ AC Adapter	USA UK EU SA AUS NONE	05083154 05083151 05083152 05083155 05083156 05083158
	S-1110DPP-S1SC20U - 10/100/1000 Gigabit Ethernet Stand-Alone Media Rate Converter w/ PoE+ PSE. Dual 10/100/1000Base-T (RJ-45) [100 m/328 ft.] to 1000Base-BX 1310nm TX / 1490nm RX single strand fiber, single mode (SC) [20 km/12.4 miles], w/ AC Adapter	USA UK EU SA AUS NONE	05083164 05083161 05083162 05083165 05083166 05083168
	S-1110DPP-S1SC20D - 10/100/1000 Gigabit Ethernet Stand-Alone Media Rate Converter w/ PoE+ PSE. Dual 10/100/1000Base-T (RJ-45) [100 m/328 ft.] to 1000Base-BX 1490nm TX / 1310nm RX single strand fiber, single mode (SC) [20 km/12.4 miles], w/ AC Adapter	USA UK EU SA AUS NONE	05083174 05083171 05083172 05083175 05083176 05083178
	S-1110DPP-S1SC40U - 10/100/1000 Gigabit Ethernet Stand-Alone Media Rate Converter w/ PoE+ PSE. Dual 10/100/1000Base-T (RJ-45) [100 m/328 ft.] to 1000Base-BX 1310nm TX / 1490nm RX single strand fiber, single mode (SC) [40 km/25 miles], w/	USA UK EU SA AUS NONE	05083184 05083181 05083182 05083185 05083186 05083188
	S-1110DPP-S1SC40D - 10/100/1000 Gigabit Ethernet Stand-Alone Media Rate Converter w/ PoE+ PSE. Dual 10/100/1000Base-T (RJ-45) [100 m/328 ft.] to 1000Base-BX 1490nm TX / 1310nm RX single strand fiber, single mode (SC) [40 km/25 miles], w/ AC Adapter	USA UK EU SA AUS NONE	05083194 05083191 05083192 05083195 05083196 05083198
	S-1110DPP-S1SC80U - 10/100/1000 Gigabit Ethernet Stand-Alone Media Rate Converter w/ PoE+ PSE. Dual 10/100/1000Base-T (RJ-45) [100 m/328 ft.] to 1000Base-BX 1510nm TX / 1590nm RX single strand fiber, single mode (SC) [80 km/50 miles], w/ AC Adapter	USA UK EU SA AUS NONE	05083204 05083201 05083202 05083205 05083206 05083208


Product Image	Description	Power Cord	Product Number
	S-1110DPP-S1SC80D - 10/100/1000 Gigabit Ethernet Stand-Alone Media Rate Converter w/ PoE+ PSE. Dual 10/100/1000Base-T (RJ-45) [100 m/328 ft.] to 1000Base-BX 1590nm TX / 1510nm RX single strand fiber, single mode (SC) [80 km/50 miles], w/ AC Adapter	USA UK EU SA AUS NONE	05083214 05083211 05083212 05083215 05083216 05083218
	S-1110DPP-S1SC120U - 10/100/1000 Gigabit Ethernet Stand-Alone Media Rate Converter w/ PoE+ PSE. Dual 10/100/1000Base-T (RJ-45) [100 m/328 ft.] to 1000Base-BX 1510nm TX / 1590nm RX single strand fiber, single mode (SC) [120 km/75 miles], w/ AC Adapter	USA UK EU SA AUS NONE	05083224 05083221 05083222 05083225 05083226 05083228
	S-1110DPP-S1SC120D - 10/100/1000 Gigabit Ethernet Stand-Alone Media Rate Converter w/ PoE+ PSE. Dual 10/100/1000Base-T (RJ-45) [100 m/328 ft.] to 1000Base-BX 1590nm TX / 1510nm RX single strand fiber, single mode (SC) [120 km/75 miles], w/ AC Adapter	USA UK EU SA AUS NONE	05083234 05083231 05083232 05083235 05083236 05083238
	S-1110P-M2SC2 - 10/100/1000 Gigabit Ethernet Stand-Alone Media Rate Converter with PoE Power Sourcing. 10/100/1000Base-T (RJ-45) [100 m/328 ft.] to 1000Base-LX 1310nm Extended multimode (SC) [2km /6562 ft.]. Includes AC Power Adapter	USA UK EU SA AUS NONE	05080244 05080241 05080242 05080245 05080246 05080248
	S-1110P-M2ST2 - 10/100/1000 Gigabit Ethernet Stand-Alone Media Rate Converter with PoE Power Sourcing. 10/100/1000Base-T (RJ-45) [100 m/328 ft.] to 1000Base-LX 1310nm Extended multimode (ST) [2km /6562 ft.]. Includes AC Power Adapter	USA UK EU SA AUS NONE	05080254 05080251 05080252 05080255 05080256 05080258
	S-1110PP-M2SC2 - 10/100/1000 Gigabit Ethernet Stand-Alone Media Rate Converter with PoE+ (PoEP) Power Sourcing. 10/100/1000Base-T (RJ-45) [100 m/328 ft.] to 1000Base-LX 1310nm Extended multimode (SC) [2km /6562 ft.]. Includes AC Power Adapter	USA UK EU SA AUS NONE	05081244 05081241 05081242 05081245 05081246 05081248

Product Image	Description	Power Cord	Product Number
	S-1110PP-M2ST2 - 10/100/1000 Gigabit Ethernet Stand-Alone Media Rate Converter with PoE+ (PoEP) Power Sourcing. 10/100/1000Base-T (RJ-45) [100 m/328 ft.] to 1000Base-LX 1310nm Extended multimode (ST) [2km /6562 ft.]. Includes AC Power Adapter	USA UK EU SA AUS NONE	05081254 05081251 05081252 05081255 05081256 05081258
	S-1110DP-M2SC2 - 10/100/1000 Gigabit Ethernet Stand-Alone Media Rate Converter with PoE Power Sourcing. Dual 10/100/1000Base-T (RJ-45) [100 m/328 ft.] to 1000Base-LX 1310nm Extended multimode (SC) [2km /6562 ft.]. Includes AC Power Adapter	USA UK EU SA AUS NONE	05082244 05082241 05082242 05082245 05082246 05082248
	S-1110DP-M2ST2 - 10/100/1000 Gigabit Ethernet Stand-Alone Media Rate Converter with PoE Power Sourcing. Dual 10/100/1000Base-T (RJ-45) [100 m/328 ft.] to 1000Base-LX 1310nm Extended multimode (ST) [2km /6562 ft.]. Includes AC Power Adapter	USA UK EU SA AUS NONE	05082254 05082251 05082252 05082255 05082256 05082258
	S-1110DPP-M2SC2 - 10/100/1000 Gigabit Ethernet Stand-Alone Media Rate Converter with PoE+ (PoEP) Power Sourcing. Dual 10/100/1000Base-T (RJ-45) [100 m/328 ft.] to 1000Base-LX 1310nm Extended multimode (SC) [2km /6562 ft.]. Includes AC Power Adapter	USA UK EU SA AUS NONE	05083244 05083241 05083242 05083245 05083246 05083248
	S-1110DPP-M2ST2 - 10/100/1000 Gigabit Ethernet Stand-Alone Media Rate Converter with PoE+ (PoEP) Power Sourcing. Dual 10/100/1000Base-T (RJ-45) [100 m/328 ft.] to 1000Base-LX 1310nm Extended multimode (ST) [2km /6562 ft.]. Includes AC Power Adapter	USA UK EU SA AUS NONE	05083254 05083251 05083252 05083255 05083256 05083258
	S-1110DP-M1SC05D - 10/100/1000 Gigabit Ethernet Media Rate Converter with PoE Power Sourcing. Dual 10/100/1000BASE-T (RJ-45) [100 m/328 ft.] to 1000Base-BX 1550nm TX / 1310nm RX single strand fiber, multimode (SC) [550 m/1804 ft]	USA UK EU SA AUS NONE	05082274 05082271 05082272 05082275 05082276 05082278


Product Image	Description	Power Cord	Product Number
	S-1110DP-M1SC05U - 10/100/1000 Gigabit Ethernet Media Rate Converter with PoE Power Sourcing. Dual 10/100/1000BASE-T (RJ-45) [100 m/328 ft.] to 1000Base-BX 1310nm TX / 1550nm RX single strand fiber, multimode (SC) [550 m/1804 ft]	USA UK EU SA AUS NONE	05082264 05082261 05082262 05082265 05082266 05082268
	S-1110DPP-M1SC05D - 10/100/1000 Gigabit Ethernet Media Rate Converter with PoE+ (PoEP) Power Sourcing. Dual 10/100/1000BASE-T (RJ-45) [100 m/328 ft.] to 1000Base-BX 1550nm TX / 1310nm RX single strand fiber, multimode (SC) [500 m/1640 ft] Includes AC Power Adapter	USA UK EU SA AUS NONE	05083274 05083271 05083272 05083275 05083276 05083278
	S-1110DPP-M1SC05U - 10/100/1000 Gigabit Ethernet Media Rate Converter with PoE+ (PoEP) Power Sourcing. Dual 10/100/1000BASE-T (RJ-45) [100 m/328 ft.] to 1000Base-BX 1310nm TX / 1550nm RX single strand fiber, multimode (SC) [500 m/1640 ft] Includes AC Power Adapter	USA UK EU SA AUS NONE	05083264 05083261 05083262 05083265 05083266 05083268
	S-1110P-M1SC05D - 10/100/1000 Gigabit Ethernet Media Rate Converter with PoE Power Sourcing. 10/100/1000BASE-T (RJ-45) [100 m/328 ft.] to 1000Base-BX 1550nm TX / 1310nm RX single strand fiber, multimode (SC) [550 m/1804 ft]	USA UK EU SA AUS NONE	05080274 05080271 05080272 05080275 05080276 05080278
	S-1110P-M1SC05U - 10/100/1000 Gigabit Ethernet Media Rate Converter with PoE Power Sourcing. 10/100/1000BASE-T (RJ-45) [100 m/328 ft.] to 1000Base-BX 1310nm TX / 1550nm RX single strand fiber, multimode (SC) [550 m/1804 ft]	USA UK EU SA AUS NONE	05080264 05080261 05080262 05080265 05080266 05080268
	S-1110PP-M1SC05D - 10/100/1000 Gigabit Ethernet Media Rate Converter with PoE+ (PoEP) Power Sourcing. 10/100/1000BASE-T (RJ-45) [100 m/328 ft.] to 1000Base-BX 1550nm TX / 1310nm RX single strand fiber, multimode (SC) [550 m/1804 ft]	USA UK EU SA AUS NONE	05081274 05081271 05081272 05081275 05081276 05081278

Product Image	Description	Power Cord	Product Number
	S-1110PP-M1SC05U - 10/100/1000 Gigabit Ethernet Media Rate Converter with PoE+ (PoEP) Power Sourcing. 10/100/1000BASE-T (RJ-45) [100 m/328 ft.] to 1000Base-BX 1310nm TX / 1550nm RX single strand fiber, multimode (SC) [550 m/1804 ft]	USA UK EU SA AUS NONE	05081264 05081261 05081262 05081265 05081266 05081268

Accessories

Accessory Image	Description	Model Number	Accessory Number
	DIN Rail Mounting Kit for 4 & 8 port IOLAN SDS/STS wall mount models, all Stand-Alone Media Converters and all Stand-Alone Ethernet Extenders. Two of these brackets are required for the 8 port STS8-D model.	4 DIN Rail Mount Bkt	04030840
	Standalone media converter wall / rack mount bracket	MCSM	05059999

Power Supply

	TRIO-PS/1AC/48DC/5 DIN-Rail Power Supply: 48 VDC, 240 Watt with universal 85 to 264 VAC, 30 to 56V DC output range adjustable, -25 to 70°C extended operating temperature.	TRIO-PS/1AC/48DC/5 Power Supply	28664918
---	--	---------------------------------	----------