

(E)

NOTES:

1. MATERIAL:
 - (A). SCREW: SEE LEGEND
 - (B). INSULATOR: PBT, UL94V-0
 - (C). TERMINAL: BRASS, TIN PLATED
2. NUMBER OF CIRCUIT POSITIONS AVAILABLE: 2 THROUGH 15
3. ELECTRICAL RATINGS:
 - (A). MAXIMUM VOLTAGE: 600V
 - (B). MAXIMUM CURRENT: 50A
 - (C). INSULATION RESISTANCE: 500MΩ PER MINUTE
 - (D). DIELECTRIC WITHSTAND VOLTAGE: 2200V AC
4. WIRE RANGE: 8 TO 20 AWG (SOLID OR STRANDED COPPER)
5. RECOMMENDED WIRE STRIP LENGTH: 0.32 IN. (8mm)
6. SCREW TORQUE: 16 LBF. IN. (1.8Nm)
7. OPERATING TEMPERATURE: -40°C TO +120°C

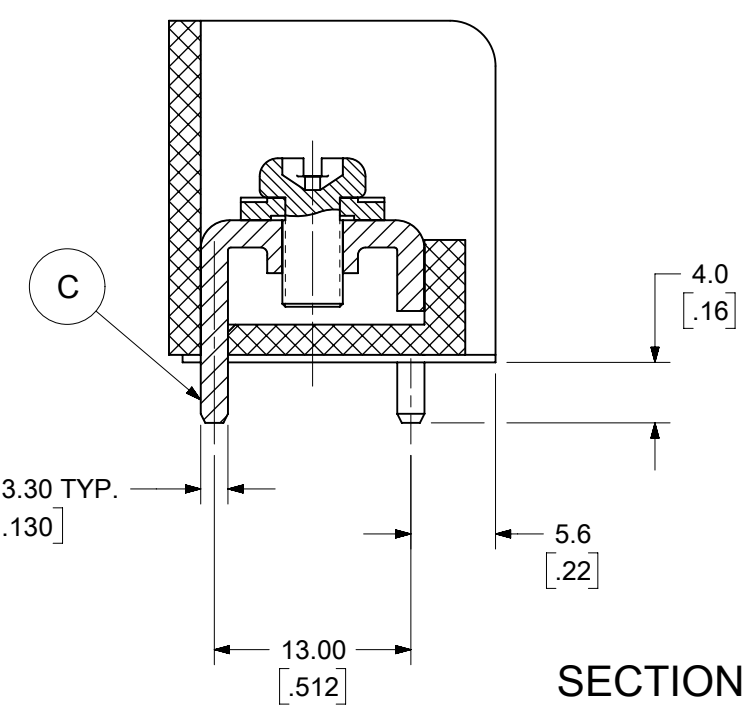
MATERIAL NUMBER LEGEND

389 XX X X XX

INSULATOR STYLE ——— NO. OF CIRCUITS
 69- NO MOUNTING ENDS (02 - 15)

TERMINAL STYLE ——— SCREW STYLE
 0 - PC TAILS 0 - M4 WITH SQUARE WASHER, STEEL, NICKEL PLATED

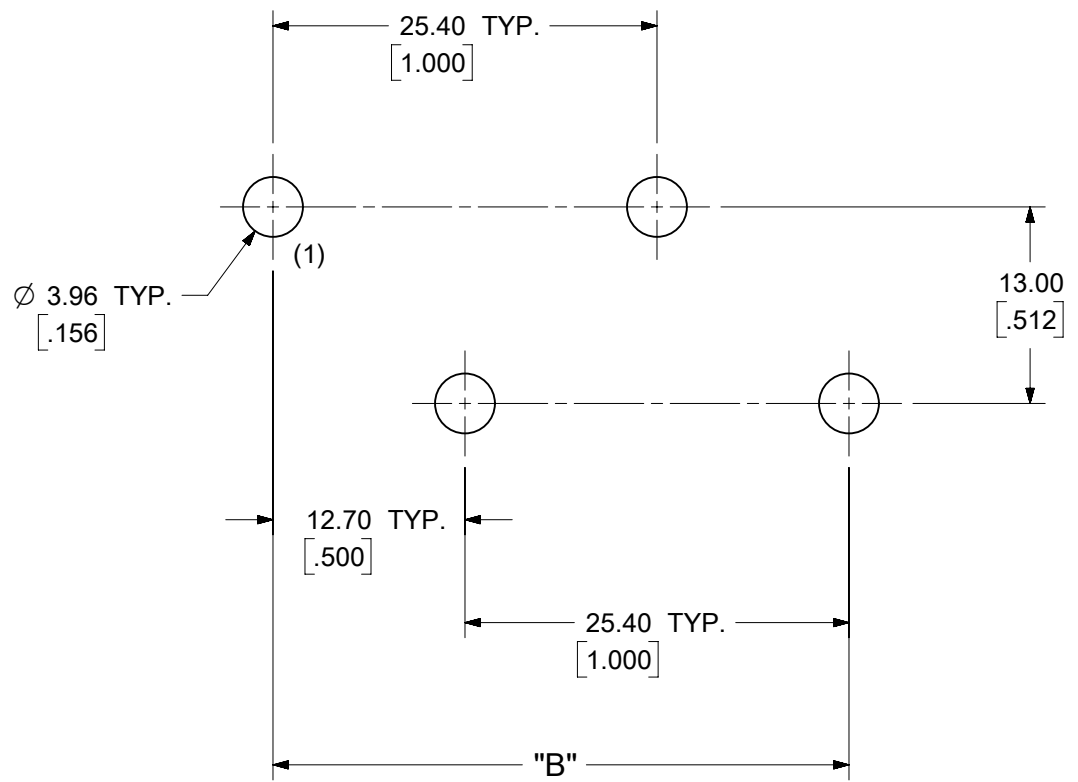
TERM. STYLE 0 - PC TAILS



SECTION A-A

THIS DRAWING CONTAINS INFORMATION THAT IS PROPRIETARY TO MOLEX ELECTRONIC TECHNOLOGIES, LLC AND SHOULD NOT BE USED WITHOUT WRITTEN PERMISSION									
SYMBOLS		DIMENSION UNITS		SCALE		CURRENT REV DESC: UPDATED NOTES SECTION			
▽ = 0		MM/INCH		2:1		EC NO: 632901			
▽ = 0		GENERAL TOLERANCES (UNLESS SPECIFIED)				DRWN: ABENJAMINLW 2020/01/14			
▽ = 0		4 PLACES ± .01		MM		INCH		CHK'D: DACHAMMER 2020/02/25	
▽ = 0		3 PLACES ± .02		± .005		± .01		APPR: JFMURPHY 2020/03/09	
▽ = 0		2 PLACES ± 0.13		± .01		± .01		INITIAL REVISION:	
▽ = 0		1 PLACE ± 0.3		± .01		± .01		DRWN: CLYORK 2006/11/22	
▽ = 0		0 PLACES ± .01		± .01		± .01		APPR: JMACNEIL 2006/12/01	
▽ = 0		ANGULAR TOL ± 2°		± 2°		± 2°		MATERIAL NUMBER	
▽ = 0		DRAFT WHERE APPLICABLE MUST REMAIN WITHIN DIMENSIONS		THIRD ANGLE PROJECTION		DRAWING		SERIES	
▽ = 0		THIRD ANGLE PROJECTION		DRAWING		SERIES		CUSTOMER	
▽ = 0		B-SIZE		38969		SEE LEGEND		GENERAL MARKET	
DOCUMENT STATUS		P1		RELEASE DATE		2020/03/09		17:51:51	
DOCUMENT NUMBER		SD-38969-001		DOC TYPE		PSD		DOC PART	
REVISION		001		REVISION		E		SHEET NUMBER	
1 OF 2		1 OF 2		1 OF 2		1 OF 2		1 OF 2	

QUANTITY OF CIRCUITS	DIM. "A"		DIM. "B"	
	mm	IN	mm	IN
02	27.9	1.10	12.70	.500
03	40.6	1.60	25.40	1.000
04	53.3	2.10	38.10	1.500
05	66.0	2.60	50.80	2.000
06	78.7	3.10	63.50	2.500
07	91.4	3.60	76.20	3.000
08	104.1	4.10	88.90	3.500
09	116.8	4.60	101.60	4.000
10	129.5	5.10	114.30	4.500
11	142.2	5.60	127.00	5.000
12	154.9	6.10	139.70	5.500
13	167.6	6.60	152.40	6.000
14	180.3	7.10	165.10	6.500
15	193.0	7.60	177.80	7.000



RECOMMENDED PCB LAYOUT

SYMBOLS	THIS DRAWING CONTAINS INFORMATION THAT IS PROPRIETARY TO MOLEX ELECTRONIC TECHNOLOGIES, LLC AND SHOULD NOT BE USED WITHOUT WRITTEN PERMISSION			
	DIMENSION UNITS	SCALE	CURRENT REV DESC: UPDATED NOTES SECTION	
▽ = 0	MM/INCH	2:1	EC NO: 632901	
▽ = 0	GENERAL TOLERANCES (UNLESS SPECIFIED)		DRWN: ABENJAMINLW 2020/01/14	
▽ = 0			CHK'D: DACHAMMER 2020/02/25	
▽ = 0	4 PLACES ± --- ± ---		APPR: JFMURPHY 2020/03/09	
▽ = 0	3 PLACES ± --- ± .005		INITIAL REVISION:	
▽ = 0	2 PLACES ± 0.13 ± .01		DRWN: CLYORK 2006/11/22	
▽ = 0	1 PLACE ± 0.3 ± ---		APPR: JMACNEIL 2006/12/01	
▽ = 0	0 PLACES ± --- ± ---		DOCUMENT NUMBER	
▽ = 0	ANGULAR TOL ± 2°		SD-38969-001	
▽ = 0	DRAFT WHERE APPLICABLE MUST REMAIN WITHIN DIMENSIONS	THIRD ANGLE PROJECTION	DRAWING	SERIES
▽ = 0		⊕	B-SIZE	38969
			MATERIAL NUMBER	CUSTOMER
			SEE LEGEND	GENERAL MARKET
			DOC TYPE	DOC PART
			PSD	001
			REVISION	E
			SHEET NUMBER	2 OF 2