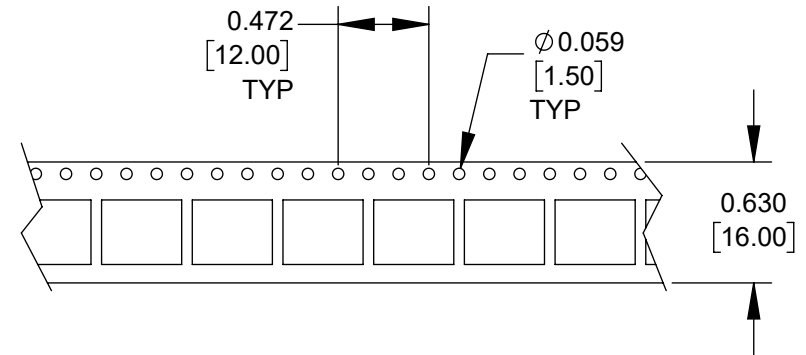
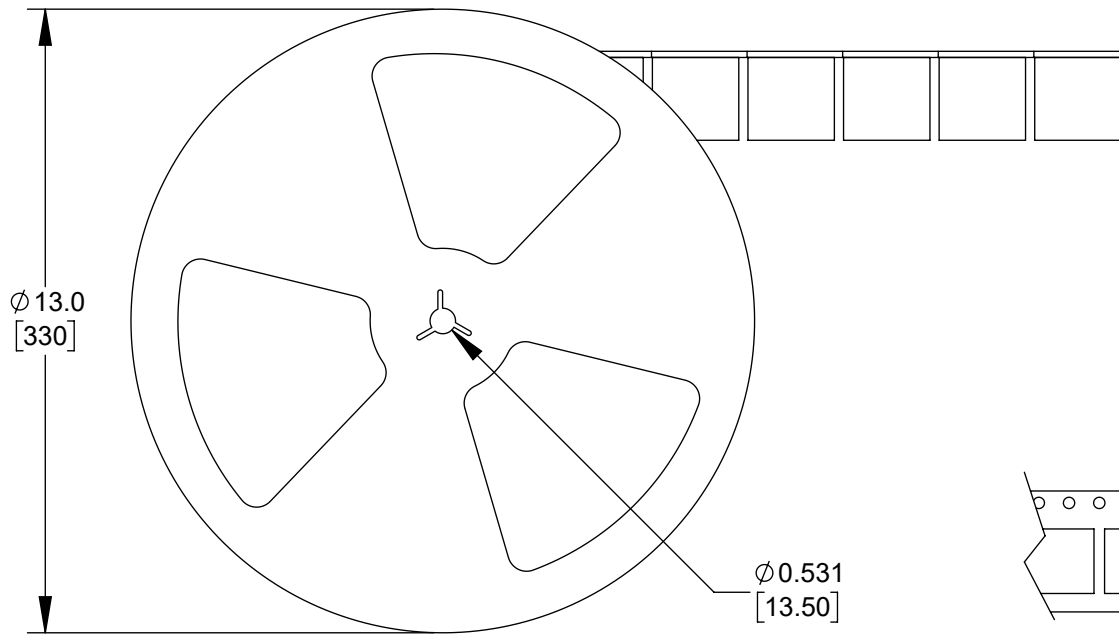


- NOTES:**
- MATERIALS:**
HOUSING - THERMOPLASTIC, BLACK
SHELL - STAINLESS STEEL, TIN PLATED
TERMINALS - COPPER ALLOY, GOLD PLATED
 - ELECTRICAL CHARACTERISTICS:**
CONTACT RESISTANCE - 30m OHM MAX
INSULATION RESISTANCE - 1000M OHM MIN @ 100V DC
CURRENT RATING - 1.0A MAX
DIELECTRIC WITHSTAND VOLTAGE - 500V AC FOR 1 MINUTE
 - OPERATING TEMPERATURE:** -25°C TO +105°C
 - THIS PART IS RoHS COMPLIANT**

CUSTOMER DRAWING

					THIS DRAWING DESCRIBES A DESIGN CONSIDERED PROPRIETARY IN NATURE, DEVELOPED AND MANUFACTURED BY SWITCHCRAFT INC. AND IS RELEASED ON A CONFIDENTIAL BASIS FOR IDENTIFICATION PURPOSES ONLY.				
					SIZE	WIDTH	MULT	LBS/M	TEMPER
					FINISH SPEC No.			MATERIAL SPEC No.	
					FIRST USED ON			SCALE 8:1	
A	28548	10/26/22	PC	TJK	DATE DRAWN	BY	CHKD	APVD	
					08/26/22	TS	10/18/22	10/18/22	
REVISIONS					NAME VERTICAL MICRO USB TYPE-B 2.0, RoHS				
					PART No. PCMB20AUETR				
					SHEET 1 OF 2				
					REV A				



NOTES:

1. REEL BEGINS AND ENDS WITH APPROXIMATELY 15 EMPTY CAVITIES.
2. EACH REEL TO HOLD 1,500 PARTS TOTAL.
3. EACH BOX CONTAINS 7 REELS TOTAL FOR 10,500 PARTS PER BOX.
4. THIS PART IS RoHS COMPLIANT.

CUSTOMER DRAWING

					THIS DRAWING DESCRIBES A DESIGN CONSIDERED PROPRIETARY IN NATURE, DEVELOPED AND MANUFACTURED BY SWITCHCRAFT INC. AND IS RELEASED ON A CONFIDENTIAL BASIS FOR IDENTIFICATION PURPOSES ONLY.				
					SIZE	WIDTH	MULT	LBS/M	TEMPER
					UNLESS OTHERWISE SPECIFIED			FINISH	
					1. ALL DIMENSIONS IN INCHES [mm]			MATERIAL	
					- TWO PLACE DECIMALS ± 0.02 [0.5]			SPEC No.	
					- THREE PLACE DECIMALS ± 0.008 [0.20]			SCALE	
					FIRST USED ON			1:4	
					DATE DRAWN	BY	CHKD	APVD	Switchcraft [®]
					08/30/22	TS	TS	TS	
					NAME			PART No.	
					VERTICAL MICRO USB			PCMB20AUETR	
					TYPE-B 2.0, RoHS			REV	
								A	
REVISIONS					DO NOT SCALE DRAWING				
A	28548	10/26/22	PC	TJK					