

MODEL: CMI-1210-5-95T | **DESCRIPTION:** MAGNETIC BUZZER INDICATOR

FEATURES

- 5 Vdc rated
- 95 dB
- continuous tone

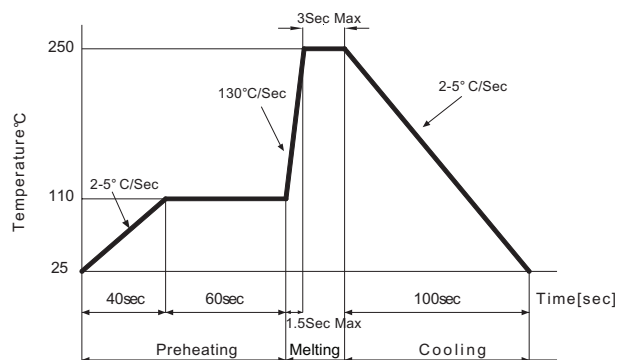

SPECIFICATIONS

parameter	conditions/description	min	typ	max	units
rated voltage			5		Vdc
operating voltage		3		7	Vdc
current consumption				35	mA
rated frequency		2,000	2,300	2,600	Hz
sound pressure level	at 10 cm, rated voltage [A-weighted]	95	98		dBa
tone	continuous				
dimensions	Ø12.0 x 9.5				mm
weight			2.0		g
material	PBT (black)				
terminal	pins (gold plating)				
operating temperature		-30		70	°C
storage temperature		-40		85	°C
RoHS	yes				
washable	yes				

Notes: 1. All specifications measured at 25±3°C, humidity at 60-70%, under 86-106 kPa pressure, unless otherwise noted.

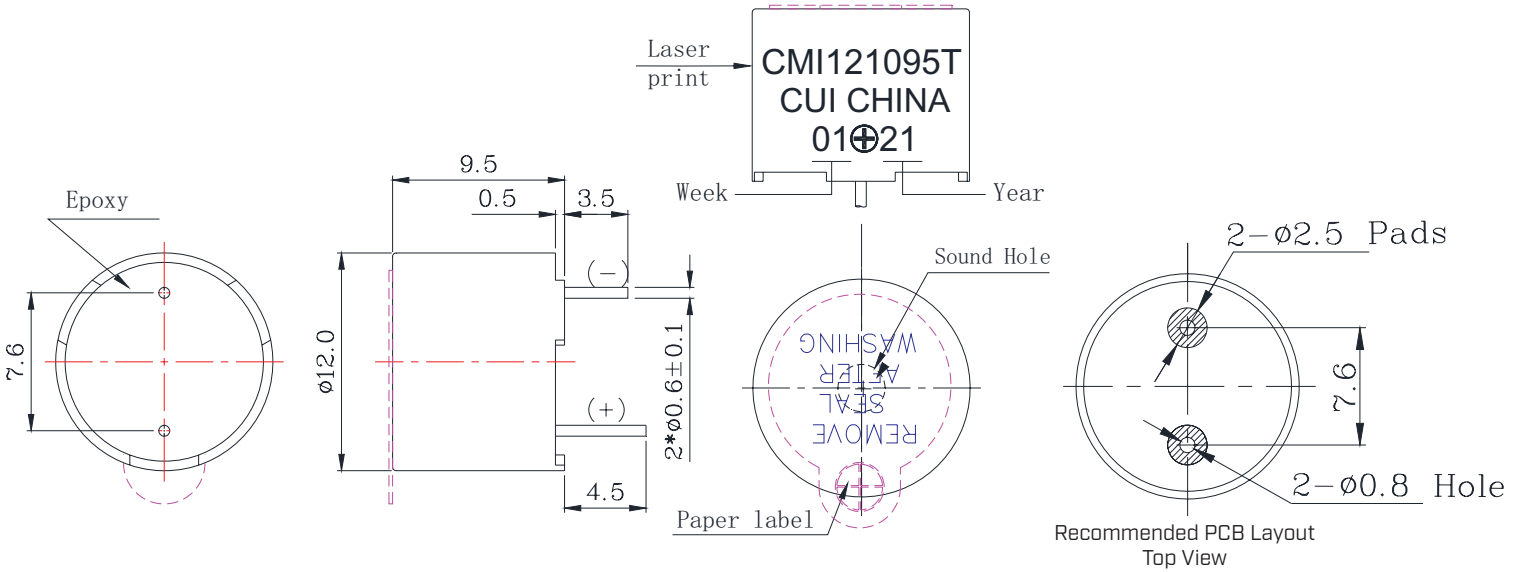
SOLDERABILITY

parameter	conditions/description	min	typ	max	units
hand soldering	for maximum 2 seconds	330		380	°C
wave soldering	see recommended reflow soldering profile			250	°C



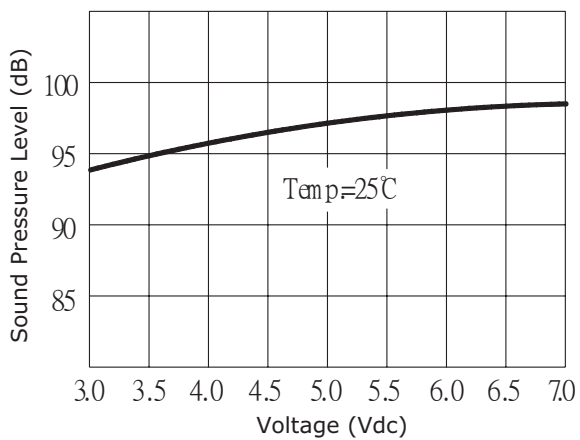
MECHANICAL DRAWING

units: mm
tolerance: ±0.5 mm

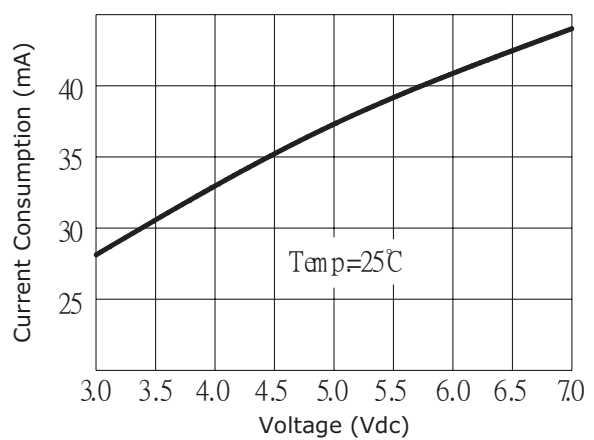


PERFORMANCE CURVES

Voltage vs. Sound Pressure Level
at 10 cm, 25°C



Voltage vs. Current Consumption
at 25°C



PACKAGING

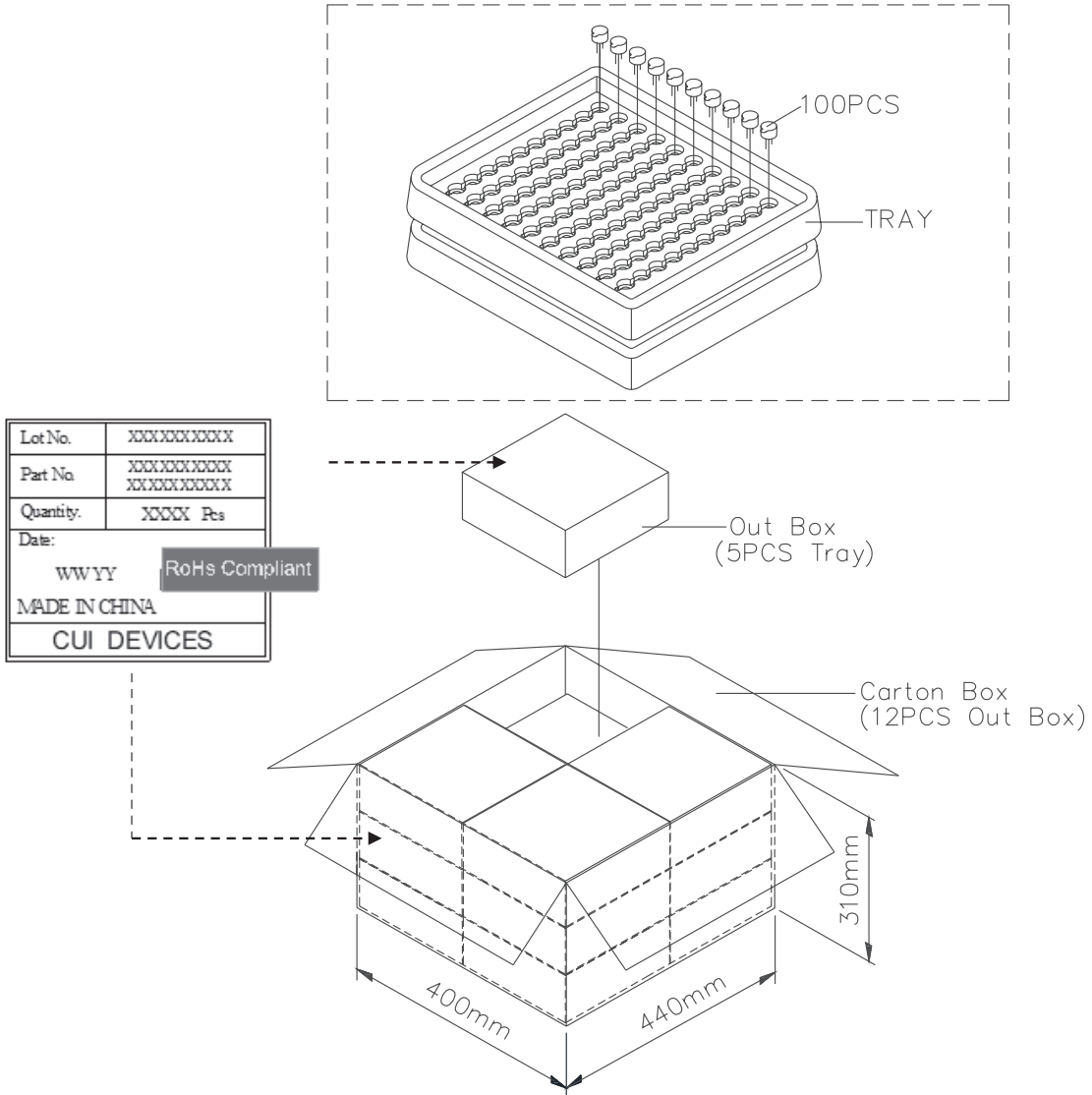
units: mm

Tray Size: 184 x 184 x 23 mm

Carton Size: 440 x 400 x 310 mm

Tray QTY: 100 pcs per tray

Carton QTY: 6,000 pcs per carton



REVISION HISTORY

rev.	description	date
1.0	initial release	11/24/2021
1.01	logo, datasheet style update	08/05/2022

The revision history provided is for informational purposes only and is believed to be accurate.



CUI Devices offers a one (1) year limited warranty. Complete warranty information is listed on our website.

CUI Devices reserves the right to make changes to the product at any time without notice. Information provided by CUI Devices is believed to be accurate and reliable. However, no responsibility is assumed by CUI Devices for its use, nor for any infringements of patents or other rights of third parties which may result from its use.

CUI Devices products are not authorized or warranted for use as critical components in equipment that requires an extremely high level of reliability. A critical component is any component of a life support device or system whose failure to perform can be reasonably expected to cause the failure of the life support device or system, or to affect its safety or effectiveness.

cuidevices.com