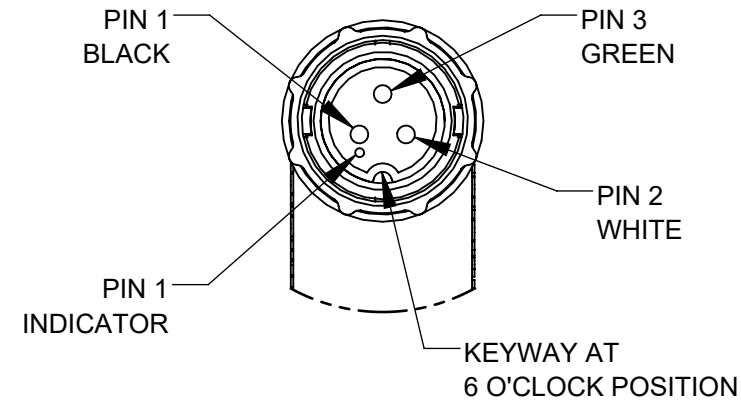


CARAEN3C2M1607990

2-PIN MALE

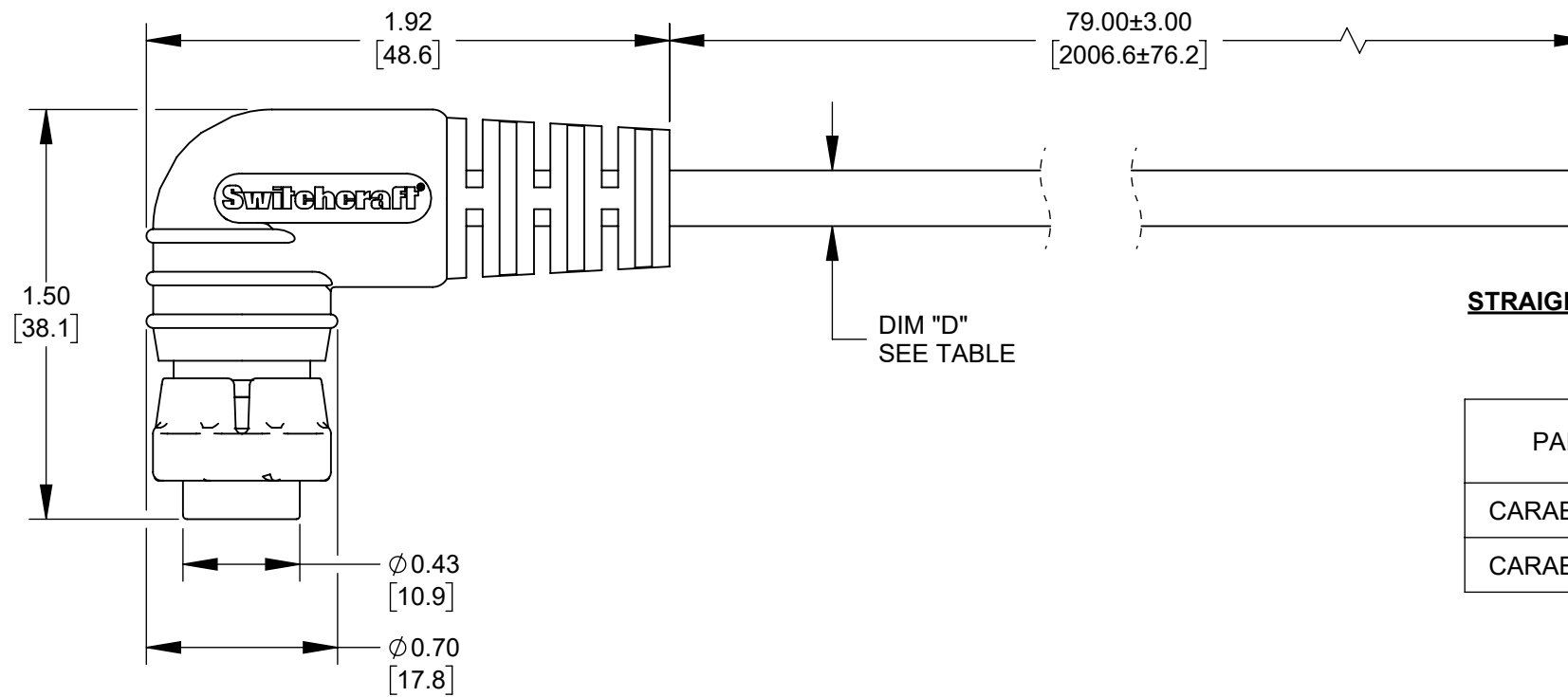
2 CONDUCTOR
16 AWG CABLE
BLACK PVC



CARAEN3C3M1607990

3-PIN MALE

3 CONDUCTOR
16 AWG CABLE
BLACK PVC



RIGHT ANGLE OVERMOLD
MALE EN3C - 16GA CONTACTS
OVERMOLD - THERMOPLASTIC, BLACK
CONNECTOR - THERMOPLASTIC, BLACK
CONTACTS - COPPER ALLOY, GOLD PLATED

STRAIGHT CUT-OFF

PART NUMBER	NUMBER OF CONTACTS	DIM "D" CABLE DIAMETER
CARAEN3C2M1607990	2	Ø 0.204 [5.18] REF
CARAEN3C3M1607990	3	Ø 0.275 [6.99] REF

CUSTOMER DRAWING

NOTES:

1. THIS PRODUCT IS RoHS COMPLIANT.

REV	ECO NUMBER	DATE	BY	APVD
A	28435	10-14-21	PC	TJK
REVISIONS				

UNLESS OTHERWISE SPECIFIED
1. ALL DIMENSIONS IN INCHES [mm]
- TWO PLACE DECIMALS ±0.02 [0.5]
- THREE PLACE DECIMALS ±0.005 [0.13]

DO NOT SCALE DRAWING

THIS DRAWING DESCRIBES A DESIGN CONSIDERED PROPRIETARY IN NATURE, DEVELOPED AND MANUFACTURED BY SWITCHCRAFT INC. AND IS RELEASED ON A CONFIDENTIAL BASIS FOR IDENTIFICATION PURPOSES ONLY.									
SIZE		WIDTH		MULT		LBS/M		TEMPER	
FINISH SPEC No.					MATERIAL SPEC No.				
FIRST USED ON				SCALE 3:2					
DATE DRAWN	BY	CHKD	APVD						
8-27-21	CC	CC	TJK						
		8-27-21	10-7-21						
NAME MALE EN3C TO OVERMOLDED 16 AWG CABLE, SCO								PART No. CARAEN3C_M1607990	
								REV A	