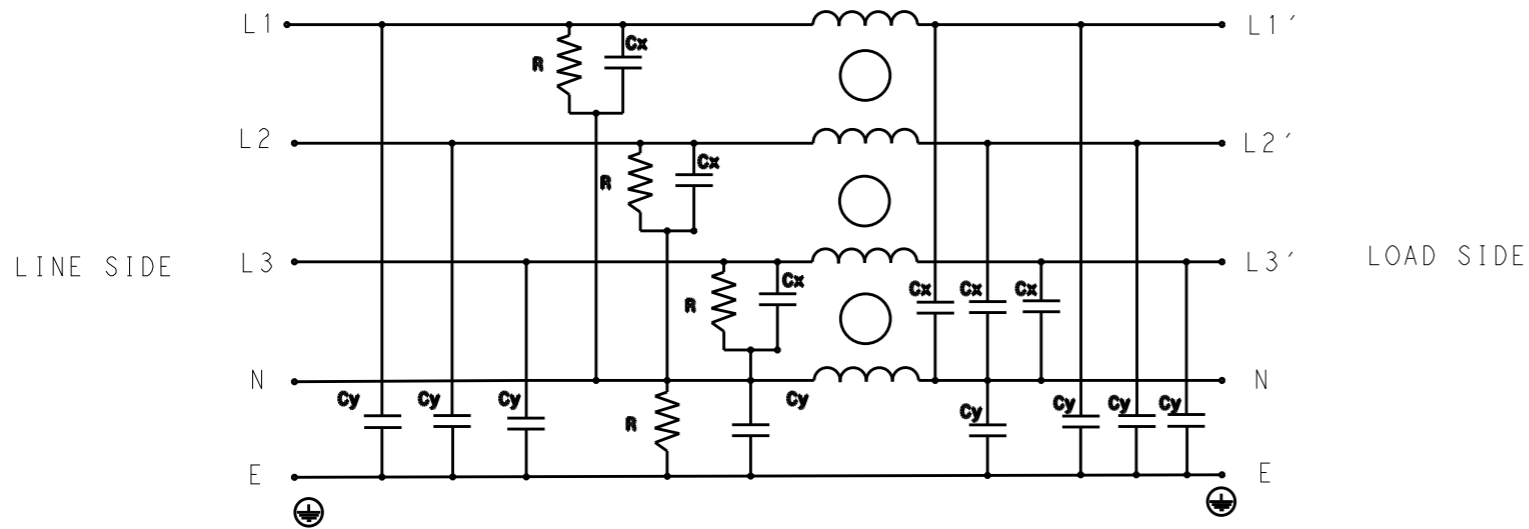


REVISIONS

P	LTR	DESCRIPTION	DATE	DWN	APVD
	B	INITIAL RELEASE	08JUL2020	SB	LI



SCHEMATIC

SAFETY ORGANIZATIONS

THIS FILTER WILL BE FORMALLY RECOGNIZED, CERTIFIED OR APPROVED BY THE LISTED AGENCY. THEREFORE, ALL TEST/REQUIREMENTS SPECIFIED IN THE LATEST REVISION OF THE FOLLOWING AGENCY STANDARDS WILL BE MET:

- UL RECOGNIZED* 75A 440V 50Hz/60Hz 40°C
- CSA CERTIFIED** 75A 440V 50Hz/60Hz 40°C
- *31 JULY 2020 ; **31 AUGUST 2020

OPERATING SPECIFICATION

LINE CURRENT/VOLTAGE: 75A, 440VAC
LINE FREQUENCY: 50/60Hz

MAXIMUM LEAKAGE CURRENT: 12mA @ 230VAC, 50Hz

OPERATING AMBIENT TEMPERATURE RANGE @ RATED CURRENT: -25°C TO +40°C

IN AN AMBIENT, Ta, HIGHER THAN 40°C, THE MAXIMUM OPERATING CURRENT, Io, IS AS FOLLOWS:

$$I_o = I_r \sqrt{\frac{85 - T_a}{45}}$$

RELIABILITY SPECIFICATIONS

STORAGE TEMPERATURE: -40°C TO +85°C
HUMIDITY: 21 DAYS @ 40°C AND 95% RH

TEST SPECIFICATIONS

INDUCTANCE, NOMINAL: 0.5mH

CAPACITANCE @ 1kHz

LINE TO GROUND, NOMINAL: 1.95µF
NEUTRAL TO GROUND, NOMINAL: 2.2µF
LINE TO NEUTRAL, NOMINAL: 13.6µF

DISCHARGE RESISTOR

L/L I.R.	2MΩ	2W
L/N I.R.	1MΩ	2W
L/G I.R.	2MΩ	2W
N/G I.R.	1MΩ	2W

IR (NO DISCHARGE RESISTOR) 20°C, 50% RH AND 100VDC, MIN: 6MΩ

RECOMMENDED RECEIVING INSPECTION HIPOT

LINE TO GROUND FOR 1 MINUTE: 2632VDC
LINE TO LINE FOR 1 MINUTE: 1892VDC
LINE TO NEUTRAL FOR 1 MINUTE: 1093VDC

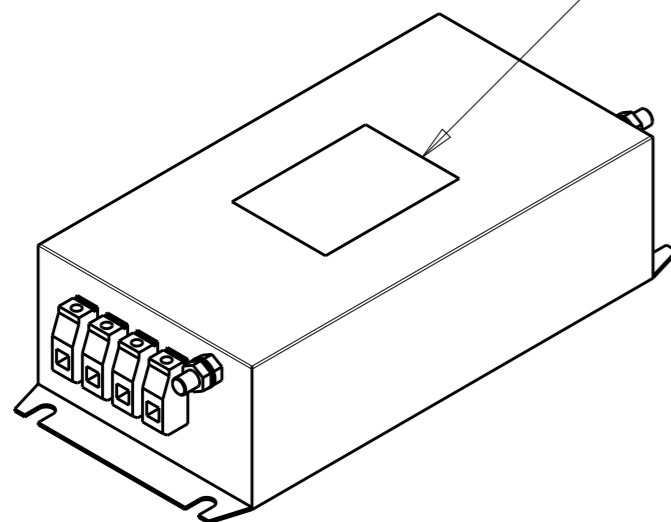
FILTER APPROVAL

THE BEST WAY TO SELECT AND QUALIFY A FILTER IS FOR YOUR ENGINEERING TO TEST THE UNIT IN YOUR EQUIPMENT.

TYPICAL INSERTION LOSS
COMMON MODE 50/50Ω; DIFFERENTIAL MODE 50/50Ω

MHz	0.01	0.05	0.15	0.5	1	3	5	10	30
CM	50	50	51	53	50	48	42	36	34
DM	48	42	40	60	38	40	40	39	35

LABEL TO TE MARKING SPECIFICATION



THIS DRAWING IS A CONTROLLED DOCUMENT.		DWN	28FEB2020		TE Connectivity
		CHK	28FEB2020		
		APVD	28FEB2020		
		NAME	LEO IRUDHAYARAJ		
DIMENSIONS:		TOLERANCES UNLESS OTHERWISE SPECIFIED:		NAME	
mm		0 PLC ±0.5		POWER LINE FILTER	
		1 PLC ±0.40		75KEPS10AFPW	
		2 PLC ±0.130		SIZE	
		3 PLC ±0.0500		CAGE CODE	
		4 PLC ANGLES ±		DRAWING NO	
MATERIAL		FINISH		RESTRICTED TO	
-		-		-	
-		-		-	
		WEIGHT		A300779	
		CUSTOMER DRAWING		C-2-1609968-1	
		SCALE		1:4	
		SHEET		1 OF 2	
		REV		B	

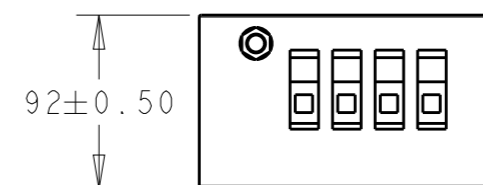
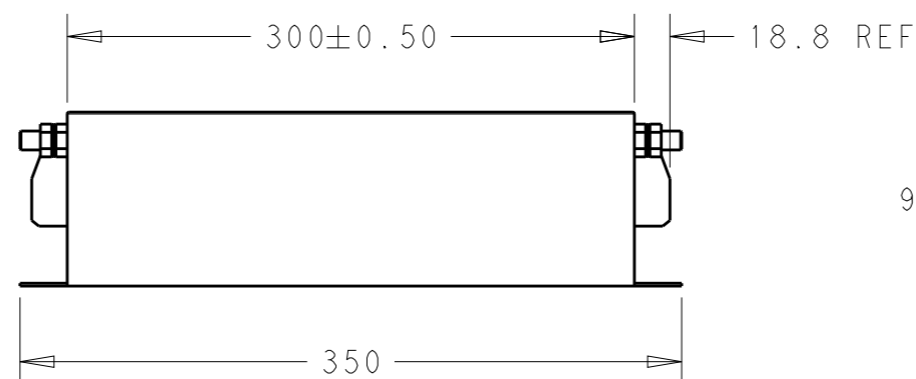
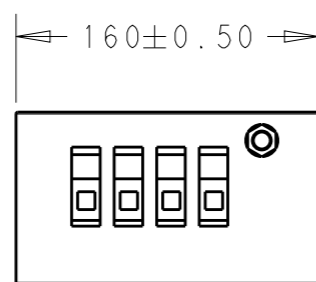
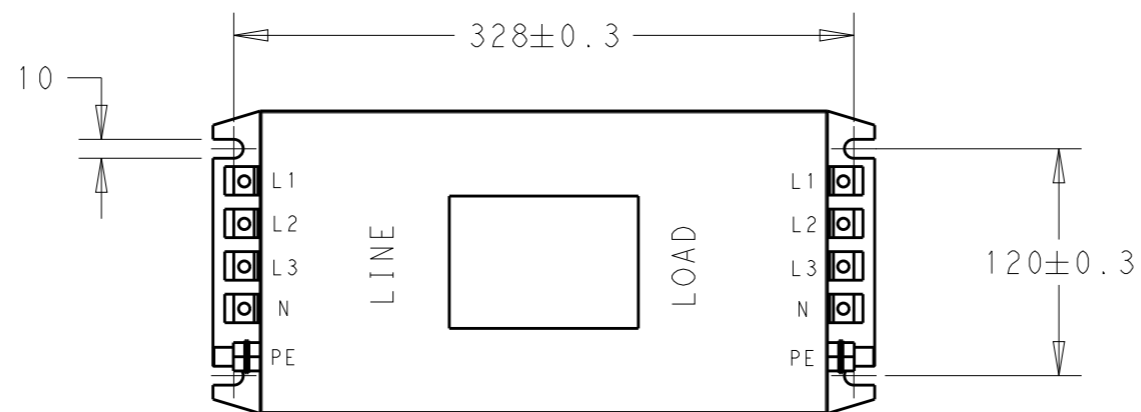
© 2020 TE Connectivity. All Rights Reserved.

NOTE 1 GROUND CONNECTION:
 DO NOT LOOSEN INNER GROUND NUTS.
 TORQUE OUTER TERMINAL SCREWS: 2-2.2Nm / 18 -19.8 in.lbs
 TORQUE GROUND NUTS: 3.5-6Nm

NOTE 2 INPUT OUTPUT CONNECTION TERMINAL
 AWG SIZE: 12-8 AWG
 WIRE SECTION: 16 mm²
 THREADED BOLT SIZE FOR GROUND: M8

REVISIONS

P	LTR	DESCRIPTION	DATE	DWN	APVD
		SEE SHEET 1			



THIS DRAWING IS A CONTROLLED DOCUMENT.		DWN	28FEB2020	TE TE Connectivity
		CHK	28FEB2020	
		APVD	28FEB2020	
DIMENSIONS: mm		TOLERANCES UNLESS OTHERWISE SPECIFIED:		NAME
		0 PLC	±-	POWER LINE FILTER
		1 PLC	±0.5	75KEPS10AFPW
		2 PLC	±0.40	
		3 PLC	±0.130	
MATERIAL		4 PLC	±0.0500	SIZE
		ANGLES	±-	CAGE CODE
		FINISH	-	DRAWING NO
				RESTRICTED TO
				A300779
				C-2-1609968-1
				SCALE
				1:4
				SHEET
				2 OF 2
				REV
				B
				CUSTOMER DRAWING