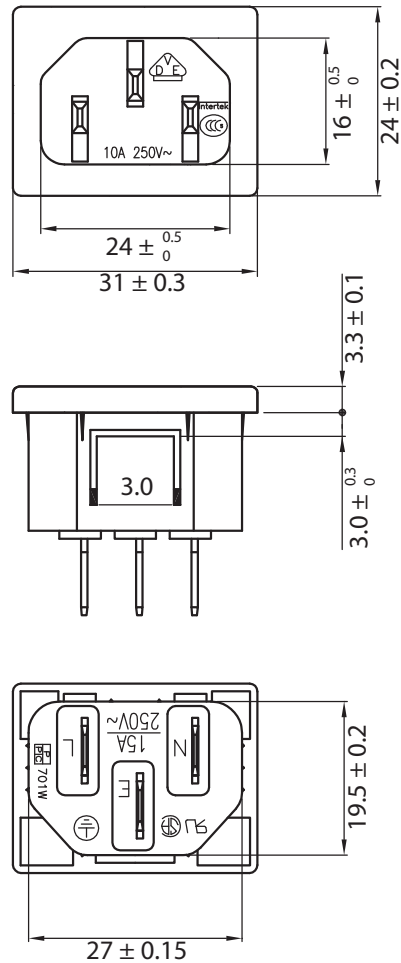
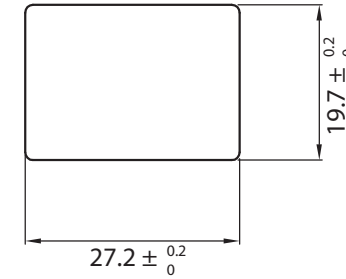
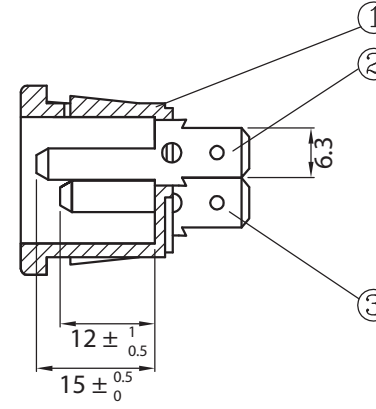


THESE DRAWINGS ARE THE PROPERTY OF QUALTEK ELECTRONICS AND NOT TO BE REPRODUCED FOR OR COMMUNICATED TO A THIRD PARTY WITHOUT THE EXPRESS WRITTEN PERMISSION OF AN OFFICER OF QUALTEK ELECTRONICS.



REVISION			
REV.	DESCRIPTION	DATE	APPROVED
B	RoHS Compliancy	06-01-06	DP
C	Updated Graphics and Approvals	12-17-15	LY



PANEL CUTOUT

**CONTROLLED**

3	Contact PIN Brass Strip t=2mm Tin-Plated	2
2	Contact PIN Brass Strip t=2mm Tin-Plated	1
1	Body Insulator PC Black Color	1

Dim range (mm)	Tolerance +/- (mm)	Qualtek Electronics Corp. PPC DIVISION		
		Part Number: 701W-30/34	RoHS Compliant	
0-1	0.15	Description: AC RECEPTACLE		
1-6	0.20		UNIT: mm	REV. C
6-18	0.30			
18-50	0.50			
50-120	0.70	Drawn / Date	Checked / Date	Approved / Date
120-250	0.90	B.ZHANG 04-09-02	04-09-02	JJH / 04-09-02
250-500	1.20			

NOTES:

RATING:

UL, CSA: 15A 250V AC  
VDE, CCC: 10A 250V AC

APPROVALS: UL, CSA, VDE, CCC

PANEL THICKNESS: 3.0mm

RoHS COMPLIANT