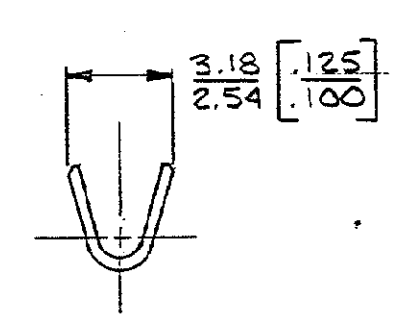
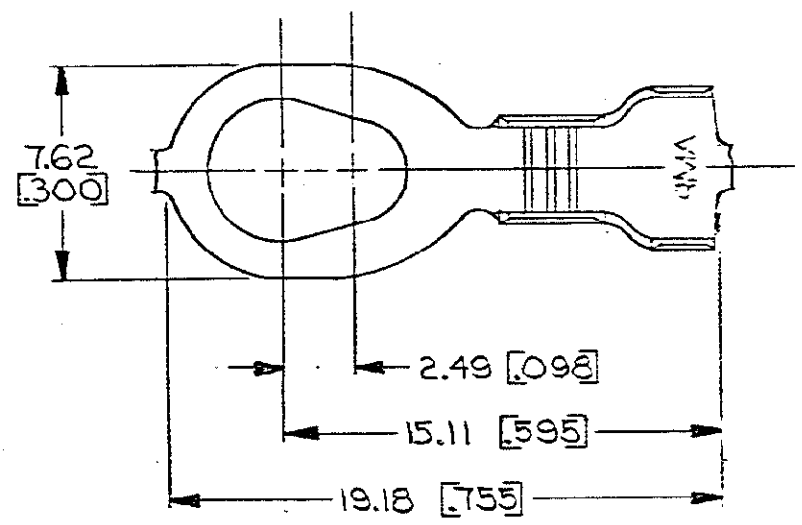


DRAWING MADE IN THIRD ANGLE PROJECTION

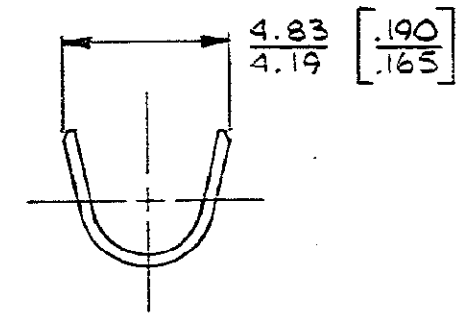
© COPYRIGHT 1976 BY AMP INCORPORATED, HARRISBURG, PA.
ALL INTERNATIONAL RIGHTS RESERVED. AMP INCORPORATED PRODUCTS
COVERED BY U. S. AND FOREIGN PATENTS AND/OR PATENTS PENDING.

LOC AF DIST 50

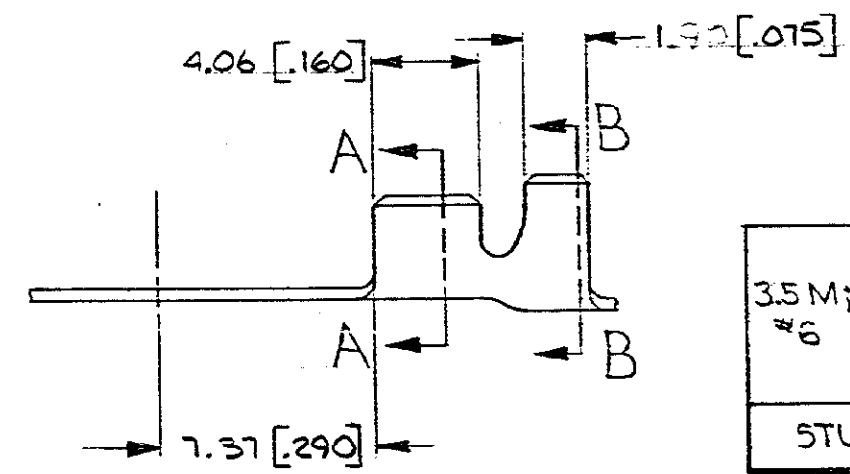
REVISIONS					
P/F	DATE	LTR	DESCRIPTION	DATE	APPROVED
			REDRAWN & REVISED	5/18/78	
D			DEC. -1 AF1906	7/25/80	



SECT A-A



SECT B-B



3.5M; 4M; — #6 #8 #10	0.3 - 0.5 mm ² [22 - 18]	2.29 - 3.30 [090 - .130]	PRE-TIN NONE	0.41 [016] BRASS	350982-2 350982-1
STUD SIZE	WIRE RANGE	INSULATION RANGE	FINISH	MATERIAL	PART NO

UNLESS OTHERWISE SPECIFIED DIMENSIONS ARE IN MILLIMETERS. TOLERANCES ON DECIMALS: ±0.38 [015]. ANGLES: ±1°0'

CONTRACT NO	DR <i>L. Magano</i> 5/18/78
CHK	
APPD	<i>RD Freni</i> 5-3-78
APPD	<i>C. Zick</i> 8-10-78
DSGN APPD	
OTHER APPD	



NAME RING		
SIZE B	CODE IDENT NO 00779	DRAWING NO 350982
SCALE	SHEET	

- 1. CONTINUOUS STRIP ON REELS.
- 2. DIMENSIONS IN BRACKETS ARE IN INCHES.

METRIC

CUSTOMER DRAWING