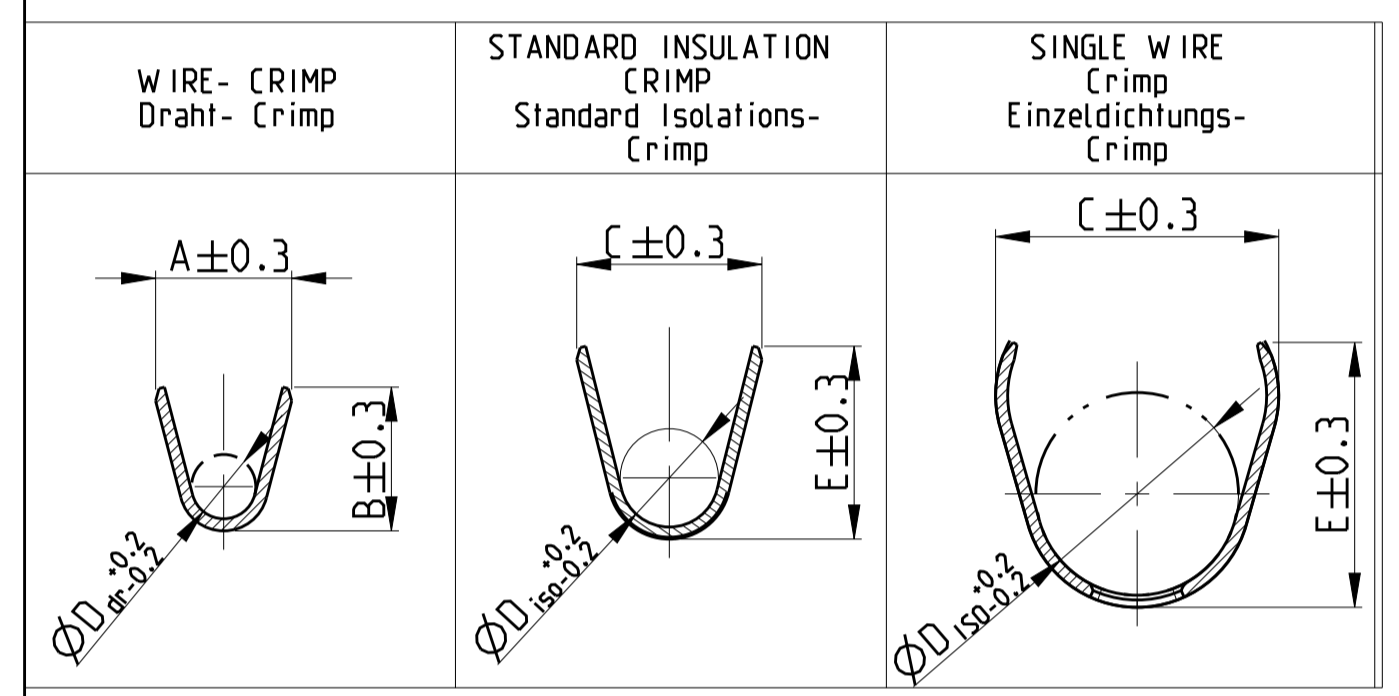
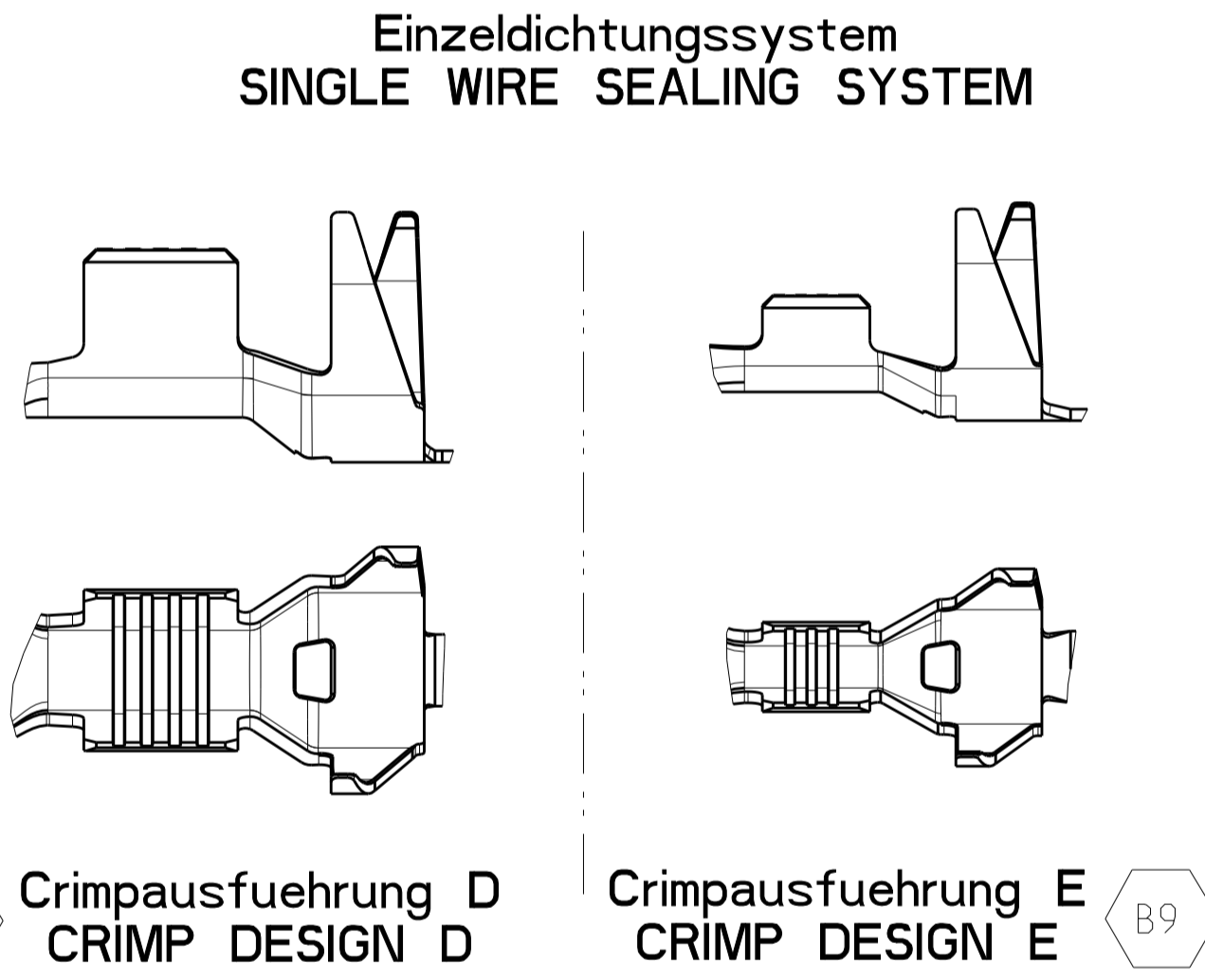
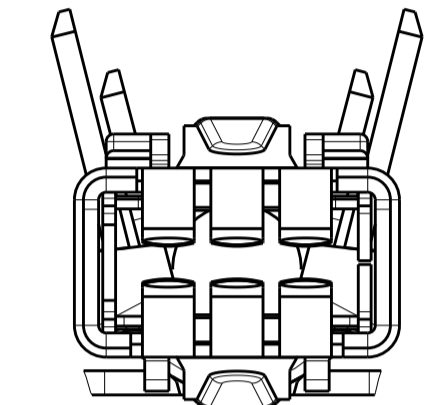
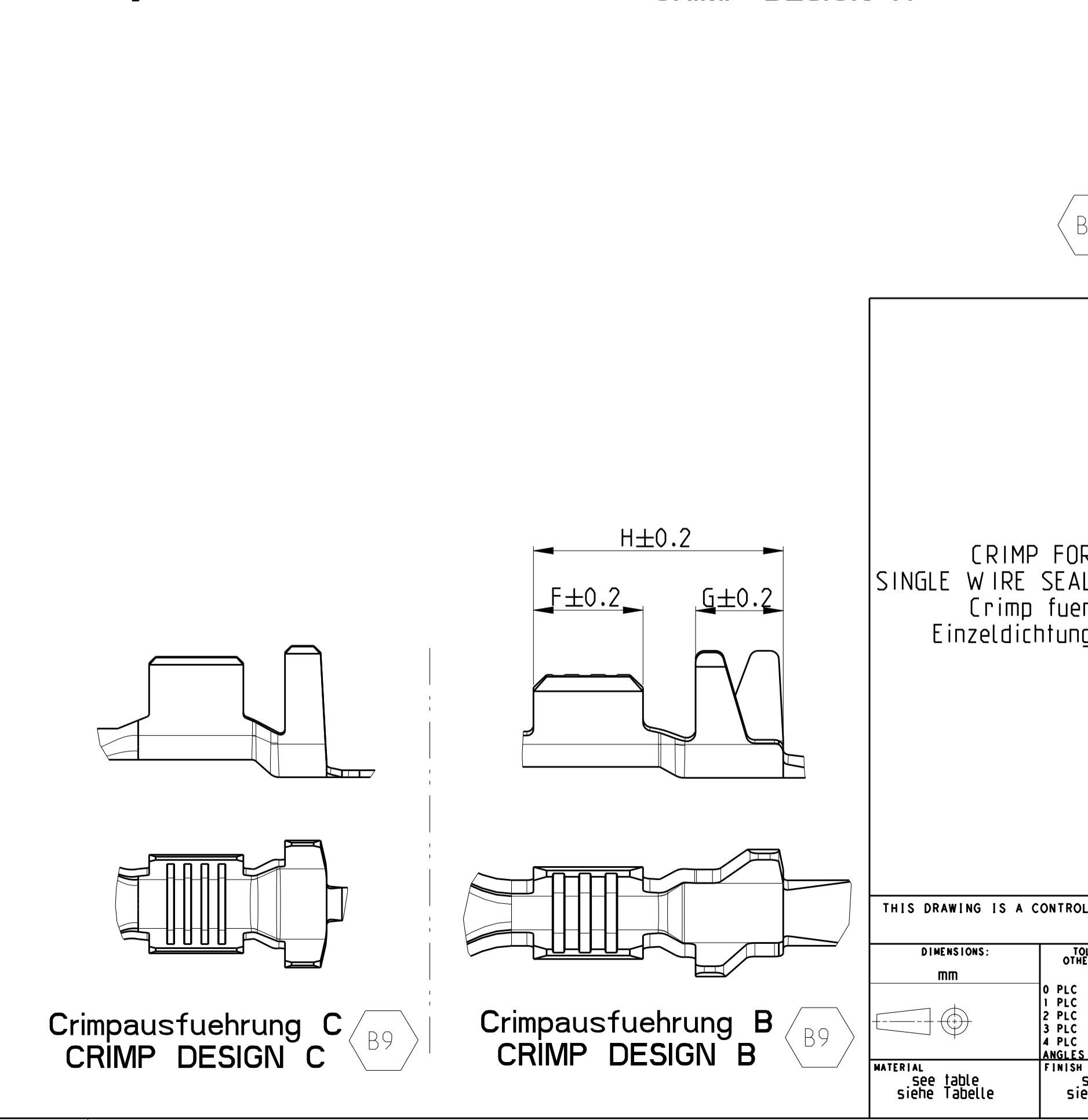
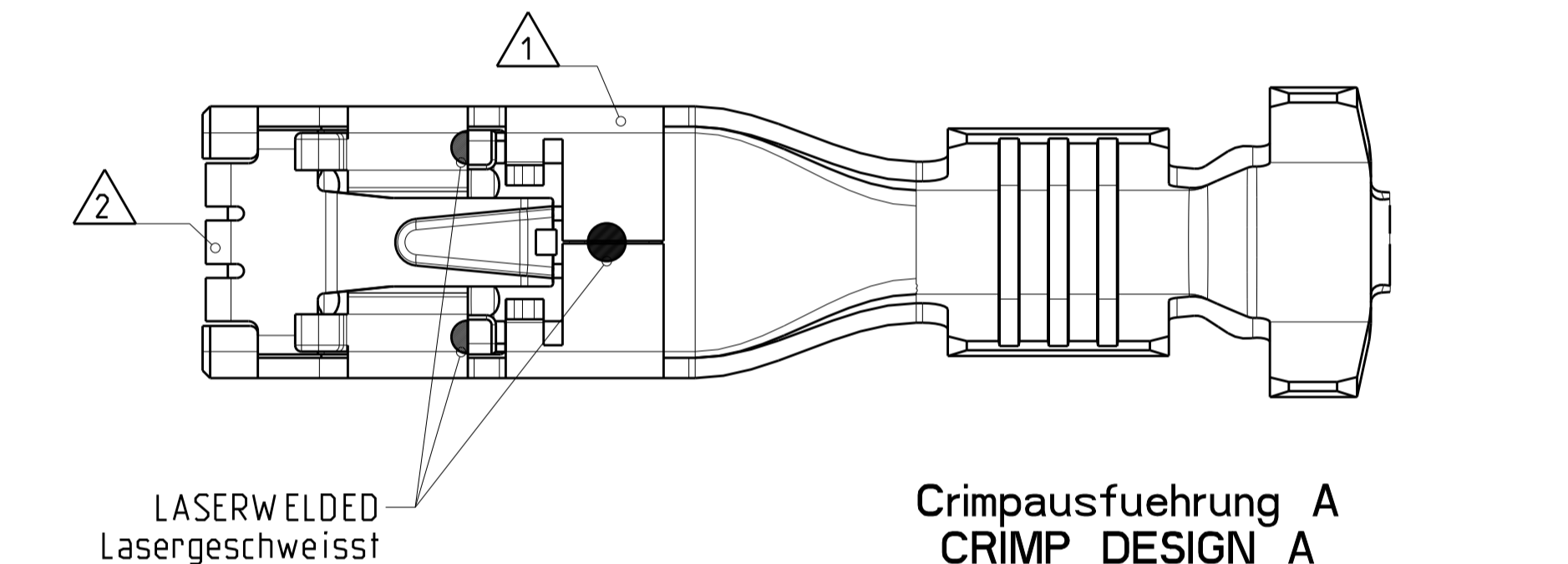
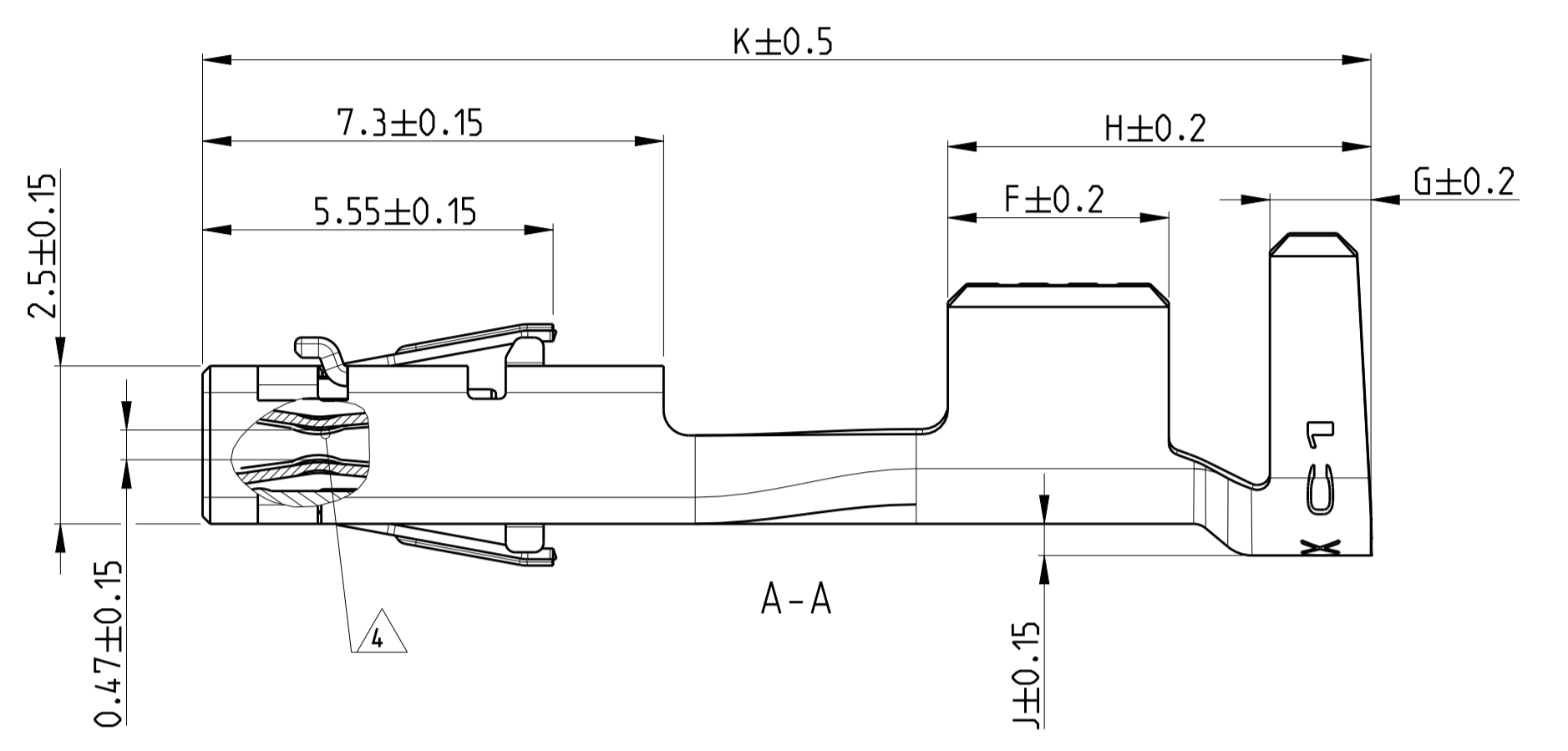
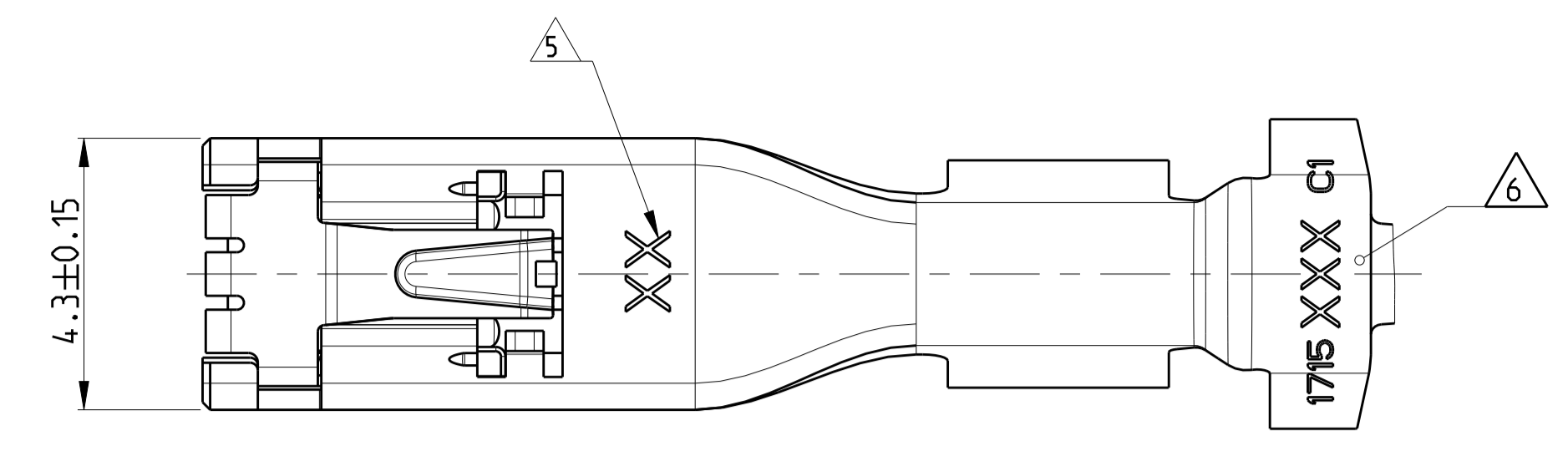


LOC	DIST	REV	DATE	APPV	REVISIONS
A1	-	B6	03MAY2011	Kirs. Merz	SWS in table corrected to 828905-1
		B7	11JUN2014	Bren Merz	DRAWING ADAPTED
		B8	21AUG2017	SCK RM	REVISION ADDED FOR 1563719-1/-3
		B9	11SEP2017	GH RM	CRIMP DESIGNS AND SERRATION DETAILS ARE ADDED

- 1 BODY Kontaktkoerper
- 2 SPRING Kontaktfeder
- 3 FOR FLR-WIRE SEE DIN 72551, PART 6 Fuer FLR-Leitung nach DIN 72551, Teil 6
- 4 SURFACE
  - a) BODY -PRE TIN 1 TO 3 µm
  - b) SPRING -PRE TIN SnAg 1 TO 3µm -GOLD PLATED MIN. µm (only contact area) -SILVER PLATED 2 TO 4 µm (only contact area)
- 5 STAMPED INDICATOR FOR PLATING:
  - AU GOLD PLATING
  - AG SILVER PLATING
  - TIN PLATING WITHOUT INDICATOR
 Markierung fuer galvanische Ausfuehrung:
  - AU vergoldet
  - AG versilbert
  - verzinkt: ohne Markierung
- 6 TE LOGO REVISION STATUS DATE CODE
- 7 MATING PART SEE INTERFACE DRAWING 114-18230-002 Gegenstecker nach Ausfuehrungsvorschrift



VERSION / Ausfuehrung	TE ORDER-NO. STRIP FORM	Rev.	BODY Kontaktkoerper	SPRING Kontaktfeder	BODY Kontaktkoerper	SPRING Kontaktfeder	WIRE RANGE	WIRE CRIMP Drahtcrimp					ISOLATION CRIMP Isolationscrimp					SINGLE WIRE SEAL FOR CAVITY DIAMETER Einzelfichtung Kammerdurchmesser TE NO.	BLINDPLUG ORDER NO. Blindstopfen Bestell-Nr.	Crimpausfuehrung CRIMP DESIGN		
								A	B	D <sub>Dr</sub>	C	E	D <sub>ISO</sub>	F	G	H	J				K	
SINGLE WIRE SEAL / Einzelfichtung	1563935-3	A	CuSn0.15	CuNi3Si1Mg	TIN PLATED verzinkt	SILVER PLATED versilbert	0.5	2.3	2.3	1.0	5.5	5.9	3.3	3.0	2.4	7.8	0.8	19.0	828904-1 (Ø5.0)	828 922-1	E	
	-	-	C 14415	C 70250	TIN PLATED verzinkt	GOLD PLATED vergoldet	0.75-1	2.5	2.7	1.2	5.5	5.9	3.3	3.0	2.4	7.8	0.8	19.0	828904-1 (Ø5.0)			
	1670802-3	B	CuSn0.15	CuNi3Si1Mg	TIN PLATED verzinkt	SILVER PLATED versilbert	>1-2.5	3.6	3.8	1.7	5.7	6.1	3.5	3.5	2.4	8.3	0.8	19.0	828905-1 (Ø5.0)			
	STANDARD CRIMP	1670802-1	B	C 14415	C 70250	TIN PLATED verzinkt	GOLD PLATED vergoldet	>2.5-4	4.5	4.7	2.3	6.9	7.0	4.5	4.3	2.6	9.5	1.25	20.0	828985-1 (Ø6.4)	828 986-1	D
		1670804-3	B	CuSn0.15	CuNi3Si1Mg	TIN PLATED verzinkt	SILVER PLATED versilbert	0.2-0.35	2.1	2.1	0.8	2.9	2.9	1.4	2.5	2.0	5.7	0.25	17.5	-		
		1670804-1	B	C 14415	C 70250	TIN PLATED verzinkt	GOLD PLATED vergoldet	0.5	2.3	2.3	1.0	2.9	2.9	1.4	3.0	2.0	6.2	0.25	17.5	-		
STANDARD CRIMP		1670806-3	B	CuSn0.15	CuNi3Si1Mg	TIN PLATED verzinkt	SILVER PLATED versilbert	0.75-1	2.5	2.7	1.2	3.7	3.9	1.8	3.0	1.6	6.2	0.25	18	-	A	
		1670806-1	B	C 14415	C 70250	TIN PLATED verzinkt	GOLD PLATED vergoldet	>1-2.5	3.6	3.8	1.7	4.9	5.1	2.6	3.5	1.6	6.7	0.5	18.5	-		
		1719836-3	B	CuSn0.15	CuNi3Si1Mg	TIN PLATED verzinkt	SILVER PLATED versilbert	>2.5-4	4.5	4.7	2.3	5.8	6.0	3.3	4.3	1.9	8.1	0.8	19	-		C
	1719836-1	B	C 14415	C 70250	TIN PLATED verzinkt	GOLD PLATED vergoldet																
	1563719-3	A	CuSn0.15	CuNi3Si1Mg	TIN PLATED verzinkt	SILVER PLATED versilbert																
	1563719-1	A	C 14415	C 70250	TIN PLATED verzinkt	GOLD PLATED vergoldet																
1719838-3	C	CuSn0.15	CuNi3Si1Mg	TIN PLATED verzinkt	SILVER PLATED versilbert																	
1719838-1	C	C 14415	C 70250	TIN PLATED verzinkt	GOLD PLATED vergoldet																	
1719840-3	C	CuSn0.15	CuNi3Si1Mg	TIN PLATED verzinkt	SILVER PLATED versilbert																	
1719840-1	C	C 14415	C 70250	TIN PLATED verzinkt	GOLD PLATED vergoldet																	
1718475-3	E	CuSn0.15	CuNi3Si1Mg	TIN PLATED verzinkt	SILVER PLATED versilbert																	
1718475-1	E	C 14415	C 70250	TIN PLATED verzinkt	GOLD PLATED vergoldet																	



STANDARD CRIMP

CRIMP FOR SINGLE WIRE SEAL Crimp fuer Einzelfichtung

5:1

5:1

THIS DRAWING IS A CONTROLLED DOCUMENT.

DIMENSIONS: mm

TOLERANCES UNLESS OTHERWISE SPECIFIED:

0 PLC ±0.3

1 PLC ±0.2

2 PLC ±0.1

3 PLC ±0.05

4 PLC ±0.02

ANGLES FINISH

MATERIAL see table siehe Tabelle

WEIGHT 0.58 g

Customer Drawing

DATE 15FEB2006

APPV W. Dahms

CHK G. Hotea

NAME MCON 2.8

PRODUCT GROUP DRAWING RECEPTACLE

Produktgruppenzeichnung Kontaktbuchse

SIZE CAGE CODE DRAWING NO 114-18718

DRAWING NO 00779

RESTRICTED TO

SCALE 10:1 SHEET 1 OF 1 REV B9